

Dec. 2010



SERVICE MANUAL ADDENDUM

IC-R75

CONTENTS

PARTS LIST	1
BOARD LAYOUTS	19
VOLTAGE DIAGRAM	21

PARTS LIST

[LOGIC BOARD]

REF NO.	ORDER NO.	DESCRIPTION
IC101	1140008251	S.IC HD6433837SC58HV [USA]
	1140008251	S.IC HD6433837SC58HV [EUR]
	1140008251	S.IC HD6433837SC58HV [AUS]
	1140008251	S.IC HD6433837SC58HV [UK]
	1140008251	S.IC HD6433837SC58HV [DEN]
	1140008251	S.IC HD6433837SC58HV [SEA]
	1140008251	S.IC HD6433837SC58HV [OTH]
	1140013850	S.IC HD6433837SE27HV (RX-2240A) [USA-1]
	1140013850	S.IC HD6433837SE27HV (RX-2240A) [OTH-1]
	1140013850	S.IC HD6433837SE27HV (RX-2240A) [CHN]
	1140013850	S.IC HD6433837SE27HV (RX-2240A) [USA-2]
	1140013850	S.IC HD6433837SE27HV (RX-2240A) [OTH-2]
	1140013850	S.IC HD6433837SE27HV (RX-2240A) [CHN-1]
IC231	1130011333	S.IC CAT25320VI-GC
IC351	1110003690	S.IC M62354GP 75EC
IC391	1110005771	S.IC S-80942CNMC-G9CT2G
IC392	1130006441	S.IC TC7S08F(TE85R,F)
IC401	1130004922	S.IC TC74HC04AF(EL,F)
Q351	1590000680	S.TRA DTC114EUA T106
Q391	1530002851	S.TRA 2SC4116-BL(TE85R,F)
Q401	1590004390	S.TRA DMG504010
Q421	1590000720	S.TRA DTA144EUA T106
Q511	1510000510	S.TRA 2SA1576A T106R
Q512	1590004390	S.TRA DMG504010
D381	1730002830	S.ZEN DZ2J051M
D382	1750002180	S.DIO DB2J3130
D393	1750000550	S.DIO 1SS355 TE-17
D401	1750000550	S.DIO 1SS355 TE-17
D461	1730002531	S.ZEN NNCD6.2G-T1-A
X111	6050009460	S.XTA CM200S SMD(32.768 kHz)
X112	6050009870	S.XTA CR-567 SMD-49 9.8304 MHz <KDS>
L491	6200003950	S.COI HF50ACC 322513-T
L492	6200003950	S.COI HF50ACC 322513-T
L501	6200002971	S.COI NLV32T-121J
L502	6200002971	S.COI NLV32T-121J
L503	6200003950	S.COI HF50ACC 322513-T
R101	7030003200	S.RES ERJ3GEYJ 100 V (10)
R112	7030003800	S.RES ERJ3GEYJ 105 V (1M)
R121	7030003440	S.RES ERJ3GEYJ 102 V (1K)
R122	7030003440	S.RES ERJ3GEYJ 102 V (1K)
R123	7030003440	S.RES ERJ3GEYJ 102 V (1K)
R124	7030003440	S.RES ERJ3GEYJ 102 V (1K)
R125	7030003440	S.RES ERJ3GEYJ 102 V (1K)
R126	7030003440	S.RES ERJ3GEYJ 102 V (1K)
R127	7030003360	S.RES ERJ3GEYJ 221 V (220)
R128	7030003440	S.RES ERJ3GEYJ 102 V (1K)
R129	7030003440	S.RES ERJ3GEYJ 102 V (1K)
R130	7030003440	S.RES ERJ3GEYJ 102 V (1K)
R131	7030003440	S.RES ERJ3GEYJ 102 V (1K)
R141	7030003440	S.RES ERJ3GEYJ 102 V (1K)
R142	7030003440	S.RES ERJ3GEYJ 102 V (1K)
R143	7030003440	S.RES ERJ3GEYJ 102 V (1K)
R144	7030003440	S.RES ERJ3GEYJ 102 V (1K)
R145	7030003440	S.RES ERJ3GEYJ 102 V (1K)
R146	7030003440	S.RES ERJ3GEYJ 102 V (1K)
R147	7030003440	S.RES ERJ3GEYJ 102 V (1K)
R148	7030003440	S.RES ERJ3GEYJ 102 V (1K)
R149	7030003440	S.RES ERJ3GEYJ 102 V (1K)
R150	7030003440	S.RES ERJ3GEYJ 102 V (1K)
R151	7030003440	S.RES ERJ3GEYJ 102 V (1K)
R152	7030003440	S.RES ERJ3GEYJ 102 V (1K)
R153	7030003440	S.RES ERJ3GEYJ 102 V (1K)
R154	7030003440	S.RES ERJ3GEYJ 102 V (1K)
R155	7030003440	S.RES ERJ3GEYJ 102 V (1K)
R161	7030003640	S.RES ERJ3GEYJ 473 V (47K)
R162	7030003640	S.RES ERJ3GEYJ 473 V (47K)
R163	7030003640	S.RES ERJ3GEYJ 473 V (47K)
R171	7030003440	S.RES ERJ3GEYJ 102 V (1K)
R172	7030003440	S.RES ERJ3GEYJ 102 V (1K)
R173	7030003440	S.RES ERJ3GEYJ 102 V (1K)
R174	7030003440	S.RES ERJ3GEYJ 102 V (1K)
R175	7030003440	S.RES ERJ3GEYJ 102 V (1K)
R176	7030003440	S.RES ERJ3GEYJ 102 V (1K)
R177	7030003440	S.RES ERJ3GEYJ 102 V (1K)
R178	7030003440	S.RES ERJ3GEYJ 102 V (1K)
R179	7030003440	S.RES ERJ3GEYJ 102 V (1K)
R191	7030003440	S.RES ERJ3GEYJ 102 V (1K)
R192	7030003440	S.RES ERJ3GEYJ 102 V (1K)
R193	7030003440	S.RES ERJ3GEYJ 102 V (1K)
R194	7030003440	S.RES ERJ3GEYJ 102 V (1K)
R195	7030003440	S.RES ERJ3GEYJ 102 V (1K)
R196	7030003440	S.RES ERJ3GEYJ 102 V (1K)
R197	7030003440	S.RES ERJ3GEYJ 102 V (1K)
R198	7030003680	S.RES ERJ3GEYJ 104 V (100K)
R201	7030003440	S.RES ERJ3GEYJ 102 V (1K)
R202	7030003440	S.RES ERJ3GEYJ 102 V (1K)
R203	7030003440	S.RES ERJ3GEYJ 102 V (1K)
R204	7030003440	S.RES ERJ3GEYJ 102 V (1K)

[LOGIC BOARD]

REF NO.	ORDER NO.	DESCRIPTION
R205	7030003440	S.RES ERJ3GEYJ 102 V (1K)
R206	7030003440	S.RES ERJ3GEYJ 102 V (1K)
R208	7030003440	S.RES ERJ3GEYJ 102 V (1K)
R209	7030003440	S.RES ERJ3GEYJ 102 V (1K)
R210	7030003440	S.RES ERJ3GEYJ 102 V (1K)
R211	7030003440	S.RES ERJ3GEYJ 102 V (1K)
R221	7030003400	S.RES ERJ3GEYJ 471 V (470)
R223	7030003560	S.RES ERJ3GEYJ 103 V (10K)
R224	7030003560	S.RES ERJ3GEYJ 103 V (10K)
R225	7030003560	S.RES ERJ3GEYJ 103 V (10K)
R231	7030003680	S.RES ERJ3GEYJ 104 V (100K)
R251	7030003540	S.RES ERJ3GEYJ 682 V (6.8K)
R252	7030003540	S.RES ERJ3GEYJ 682 V (6.8K)
R253	7030003540	S.RES ERJ3GEYJ 682 V (6.8K)
R254	7030003540	S.RES ERJ3GEYJ 682 V (6.8K)
R255	7030003540	S.RES ERJ3GEYJ 682 V (6.8K)
R256	7030003540	S.RES ERJ3GEYJ 682 V (6.8K)
R257	7030003540	S.RES ERJ3GEYJ 682 V (6.8K)
R258	7030003540	S.RES ERJ3GEYJ 682 V (6.8K)
R259	7030003540	S.RES ERJ3GEYJ 682 V (6.8K)
R260	7030003540	S.RES ERJ3GEYJ 682 V (6.8K)
R261	7030003540	S.RES ERJ3GEYJ 682 V (6.8K)
R262	7030003540	S.RES ERJ3GEYJ 682 V (6.8K)
R271	7030003640	S.RES ERJ3GEYJ 473 V (47K)
R272	7030003640	S.RES ERJ3GEYJ 473 V (47K)
R273	7030003640	S.RES ERJ3GEYJ 473 V (47K)
R274	7030003640	S.RES ERJ3GEYJ 473 V (47K)
R275	7030003640	S.RES ERJ3GEYJ 473 V (47K)
R276	7030003640	S.RES ERJ3GEYJ 473 V (47K)
R277	7030003640	S.RES ERJ3GEYJ 473 V (47K)
R278	7030003640	S.RES ERJ3GEYJ 473 V (47K)
R279	7030003640	S.RES ERJ3GEYJ 473 V (47K)
R280	7030003640	S.RES ERJ3GEYJ 473 V (47K)
R281	7030003640	S.RES ERJ3GEYJ 473 V (47K)
R282	7030003640	S.RES ERJ3GEYJ 473 V (47K)
R283	7030003640	S.RES ERJ3GEYJ 473 V (47K)
R284	7030003640	S.RES ERJ3GEYJ 473 V (47K)
R285	7030003640	S.RES ERJ3GEYJ 473 V (47K)
R286	7030003640	S.RES ERJ3GEYJ 473 V (47K)
R287	7030003640	S.RES ERJ3GEYJ 473 V (47K)
R288	7030003640	S.RES ERJ3GEYJ 473 V (47K)
R289	7030003640	S.RES ERJ3GEYJ 473 V (47K)
R290	7030003640	S.RES ERJ3GEYJ 473 V (47K)
R291	7030003640	S.RES ERJ3GEYJ 473 V (47K)
R292	7030003640	S.RES ERJ3GEYJ 473 V (47K)
R335	7030003640	S.RES ERJ3GEYJ 473 V (47K)
R351	7030003540	S.RES ERJ3GEYJ 682 V (6.8K)
R352	7030003540	S.RES ERJ3GEYJ 682 V (6.8K)
R361	7030003720	S.RES ERJ3GEYJ 224 V (220K)
R362	7030003720	S.RES ERJ3GEYJ 224 V (220K)
R381	7030009720	S.RES ERJ12YJ102U (1K)
R382	7030003640	S.RES ERJ3GEYJ 473 V (47K)
R391	7030003630	S.RES ERJ3GEYJ 393 V (39K)
R392	7030003650	S.RES ERJ3GEYJ 563 V (56K)
R393	7030003640	S.RES ERJ3GEYJ 473 V (47K)
R394	7030003440	S.RES ERJ3GEYJ 102 V (1K)
R395	7030003760	S.RES ERJ3GEYJ 474 V (470K)
R396	7030003720	S.RES ERJ3GEYJ 224 V (220K)
R397	7030003720	S.RES ERJ3GEYJ 224 V (220K)
R398	7030003680	S.RES ERJ3GEYJ 104 V (100K)
R399	7030003560	S.RES ERJ3GEYJ 103 V (10K)
R401	7030003620	S.RES ERJ3GEYJ 333 V (33K)
R402	7030003540	S.RES ERJ3GEYJ 682 V (6.8K)
R403	7030003680	S.RES ERJ3GEYJ 104 V (100K)
R404	7030003580	S.RES ERJ3GEYJ 153 V (15K)
R405	7030003680	S.RES ERJ3GEYJ 104 V (100K)
R421	7030003400	S.RES ERJ3GEYJ 471 V (470)
R422	7030003680	S.RES ERJ3GEYJ 104 V (100K)
R423	7030003560	S.RES ERJ3GEYJ 103 V (10K)
R511	7030003840	S.RES ERJ3GEYJ 225 V (2.2M)
R512	7030003560	S.RES ERJ3GEYJ 103 V (10K)
R513	7030003630	S.RES ERJ3GEYJ 393 V (39K)
R514	7030003540	S.RES ERJ3GEYJ 682 V (6.8K)
W161	7030003860	S.RES ERJ3GE JPW V [DEN]
	7030003860	S.RES ERJ3GE JPW V [SEA]
W162	7030003860	S.RES ERJ3GE JPW V [SEA] only
W163	7030003860	S.RES ERJ3GE JPW V [DEN]
	7030003860	S.RES ERJ3GE JPW V [SEA]
W401	7030003860	S.RES ERJ3GE JPW V
C101	4030008630	S.CER C1608 JF 1H 104Z-T
C102	4030008630	S.CER C1608 JF 1H 104Z-T
C103	4550006250	S.TAN TEESVA 1A 106M8R
C104	4030008630	S.CER C1608 JF 1H 104Z-T
C105	4030008630	S.CER C1608 JF 1H 104Z-T
C111	4030009990	S.CER C1608 CH 1H 200J-T
C112	4030007050	S.CER C1608 CH 1H 220J-T
C113	4030008560	S.CER C1608 CH 1H 300J-T
C114	4030008560	S.CER C1608 CH 1H 300J-T
C201	4030008630	S.CER C1608 JF 1H 104Z-T
C202	4030008630	S.CER C1608 JF 1H 104Z-T
C203	4030008630	S.CER C1608 JF 1H 104Z-T
C204	4030008630	S.CER C1608 JF 1H 104Z-T
C205	4030008630	S.CER C1608 JF 1H 104Z-T
C206	4030008630	S.CER C1608 JF 1H 104Z-T

M.=Mounted side (T: Mounted on the Top side, B: Mounted on the Bottom side)
S.=Surface mount

[LOGIC BOARD]

REF NO.	ORDER NO.	DESCRIPTION
C221	4030008630	S.CER C1608 JF 1H 104Z-T
C231	4030008630	S.CER C1608 JF 1H 104Z-T
C251	4030008630	S.CER C1608 JF 1H 104Z-T
C252	4030008630	S.CER C1608 JF 1H 104Z-T
C253	4030008630	S.CER C1608 JF 1H 104Z-T
C254	4030008630	S.CER C1608 JF 1H 104Z-T
C255	4030008630	S.CER C1608 JF 1H 104Z-T
C256	4030008630	S.CER C1608 JF 1H 104Z-T
C351	4030008630	S.CER C1608 JF 1H 104Z-T
C352	4510008660	S.ELE EEE0JA220SR
C392	4030013720	S.CER GRM188B11A224KA01D (GRM39 B)
C393	4030013720	S.CER GRM188B11A224KA01D (GRM39 B)
C394	4030007050	S.CER C1608 CH 1H 220J-T
C395	4030008630	S.CER C1608 JF 1H 104Z-T
C401	4030008630	S.CER C1608 JF 1H 104Z-T
C451	4030008630	S.CER C1608 JF 1H 104Z-T
C452	4030008630	S.CER C1608 JF 1H 104Z-T
C453	4030008630	S.CER C1608 JF 1H 104Z-T
C454	4030008630	S.CER C1608 JF 1H 104Z-T
C461	4030008630	S.CER C1608 JF 1H 104Z-T
C502	4030008630	S.CER C1608 JF 1H 104Z-T
C503	4030008630	S.CER C1608 JF 1H 104Z-T
C505	4030008630	S.CER C1608 JF 1H 104Z-T
J411	6510019981	S.CON 52808-1671(1690)
J451	6510019971	S.CON 52808-1071
J461	6510018971	S.CON B4B-PH-SM4-TB(LF)(SN)
J471	6510019971	S.CON 52808-1071
J491	6510018961	S.CON B2B-PH-SM4-TB(LF)(SN)
J501	6510019981	S.CON 52808-1671(1690)
J521	6510019981	S.CON 52808-1671(1690)
J541	6510019981	S.CON 52808-1671(1690)
EP501	6910012350	S.BEA MMZ1608Y 102BT
EP502	6910012350	S.BEA MMZ1608Y 102BT
EP521	6910012350	S.BEA MMZ1608Y 102BT
EP522	6910012350	S.BEA MMZ1608Y 102BT
EP523	6910012350	S.BEA MMZ1608Y 102BT
EP524	6910012350	S.BEA MMZ1608Y 102BT
EP525	6910012350	S.BEA MMZ1608Y 102BT
EP526	6910012350	S.BEA MMZ1608Y 102BT
EP527	6910012350	S.BEA MMZ1608Y 102BT

[PHONE BOARD]

REF NO.	ORDER NO.	DESCRIPTION
L121	6200003950	S.COI HF50ACC 322513-T
R121	7030006070	S.RES ERJ12YJ101U (100)
R122	7030006070	S.RES ERJ12YJ101U (100)
C121	4030006880	S.CER C1608 JB 1H 472K-T
C122	4030006880	S.CER C1608 JB 1H 472K-T
C123	4030006880	S.CER C1608 JB 1H 472K-T
J101	6510020711	S.CON 52793-1070(1090)
J121	6510028100	CON JY-6355*01-090

M.=Mounted side (T: Mounted on the Top side, B: Mounted on the Bottom side)
S.=Surface mount

[VR BOARD]

REF NO.	ORDER NO.	DESCRIPTION
R131	7210003040	VAR TP96D26-22F-10KBX2-2240
R141	7210003030	VAR TP96D00-22F-10KBX2-2240
R143	7030003540	S.RES ERJ3GEYJ 682 V (6.8K)
J101	6510020711	S.CON 52793-1070(1090)

[MAIN UNIT] (For other than [USA-2], [OTH-2], [CHN-1])

REF NO.	ORDER NO.	DESCRIPTION	
IC391	1110003970	S.IC UPC1658G-E1	
IC551	1130011760	S.IC CD4094BPWR	
IC552	1130011760	S.IC CD4094BPWR	
IC561	116000131	S.IC TD62783AFG(5,S,EL)	
IC562	116000131	S.IC TD62783AFG(5,S,EL)	
IC731	1110003141	IC LA1150N-E	
IC811	1110002601	S.IC MC1496DR2G	[USA]
	1110002600	S.IC MC1496DR2	[EUR]
	1110002601	S.IC MC1496DR2G	[AUS]
	1110002600	S.IC MC1496DR2	[UK]
	1110002601	S.IC MC1496DR2G	[DEN]
	1110002601	S.IC MC1496DR2G	[SEA]
	1110002601	S.IC MC1496DR2G	[OTH]
	1110002601	S.IC MC1496DR2G	[USA-1]
	1110002601	S.IC MC1496DR2G	[OTH-1]
	1110002601	S.IC MC1496DR2G	[CHN]
IC1001	1110003201	S.IC TA31136FNG(EL)	
IC1101	1110002601	S.IC MC1496DR2G	[USA]
	1110002600	S.IC MC1496DR2	[EUR]
	1110002601	S.IC MC1496DR2G	[AUS]
	1110002600	S.IC MC1496DR2	[UK]
	1110002601	S.IC MC1496DR2G	[DEN]
	1110002601	S.IC MC1496DR2G	[SEA]
	1110002601	S.IC MC1496DR2G	[OTH]
	1110002601	S.IC MC1496DR2G	[USA-1]
	1110002601	S.IC MC1496DR2G	[OTH-1]
	1110002601	S.IC MC1496DR2G	[CHN]
IC1201	1130009100	S.IC BU4052BCFV-E2	
IC1211	1110003870	S.IC NJM2058M-TE1-#ZZZB	
IC1251	1110003300	S.IC M5282FP 70CD	
IC1281	1130009100	S.IC BU4052BCFV-E2	
IC1291	1110003091	IC LA4425A-E	
IC1361	1180000970	S.IC AN78L05M-(E1)	
IC1371	1180001531	IC PQ30RV31J00H	
IC1391	1180001252	S.IC TA7808F(TE16L1,NQ)	
IC1401	1180001072	S.IC TA7805F(TE16L1,NQ)	
IC1411	1110001401	S.IC UPC1555G2-E1-A	
IC1601	1130011760	S.IC CD4094BPWR	
IC1602	1130011760	S.IC CD4094BPWR	
IC1603	116000131	S.IC TD62783AFG(5,S,EL)	
IC1751	1120002510	S.IC DS14C232TM S	
IC1771	1130005721	S.IC TC7W04F(TE12L,F)	
IC2001	1110004940	S.IC MC13022ADWR3	[USA]
	1110004940	S.IC MC13022ADWR3	[EUR]
	1110004940	S.IC MC13022ADWR3	[AUS]
	1110004940	S.IC MC13022ADWR3	[UK]
	1110004940	S.IC MC13022ADWR3	[DEN]
	1110004940	S.IC MC13022ADWR3	[SEA]
	1110004940	S.IC MC13022ADWR3	[OTH]
Q151	1590000680	S.TRA DTC114EUA T106	
Q381	1560000721	S.FET 2SK2171-4-TD-E	
Q382	1560000721	S.FET 2SK2171-4-TD-E	
Q383	1590001960	S.TRA XP4311(TX)	
Q391	1590001960	S.TRA XP4311(TX)	
Q411	1530003151	S.TRA 2SC4673D-TD-E	
Q441	1560000641	S.FET 2SK1740-4/5-TB-E	
Q442	1560000641	S.FET 2SK1740-4/5-TB-E	
Q471	1580000620	S.FET 3SK131-T2 MAS	
Q472	1590001960	S.TRA XP4311(TX)	
Q721	1580000620	S.FET 3SK131-T2 MAS	
Q731	1560000561	S.FET 2SK882-GR(TE85L,F)	
Q732	1510000510	S.TRA 2SA1576A T106R	
Q733	1530002060	S.TRA 2SC4081 T106 R	
Q734	1530002060	S.TRA 2SC4081 T106 R	
Q735	1530002060	S.TRA 2SC4081 T106 R	
Q736	1590000680	S.TRA DTC114EUA T106	
Q737	1590001960	S.TRA XP4311(TX)	
Q801	1530002060	S.TRA 2SC4081 T106 R	
Q891	1580000620	S.FET 3SK131-T2 MAS	
Q911	1560000561	S.FET 2SK882-GR(TE85L,F)	
Q912	1530002060	S.TRA 2SC4081 T106 R	
Q1001	1560000561	S.FET 2SK882-GR(TE85L,F)	
Q1031	1530002060	S.TRA 2SC4081 T106 R	
Q1051	1530002060	S.TRA 2SC4081 T106 R	
Q1061	1590001960	S.TRA XP4311(TX)	
Q1063	1530002060	S.TRA 2SC4081 T106 R	
Q1064	1590001960	S.TRA XP4311(TX)	
Q1065	1590001960	S.TRA XP4311(TX)	
Q1066	1590001960	S.TRA XP4311(TX)	
Q1311	1530002060	S.TRA 2SC4081 T106 R	
Q1381	1540000550	S.TRA 2SD1664 T100Q	
Q1382	1590000680	S.TRA DTC114EUA T106	
Q1771	1510000510	S.TRA 2SA1576A T106R	
Q1772	1530002060	S.TRA 2SC4081 T106 R	
Q2021	1530003091	S.TRA 2SC4213-B(TE85R,F)	[USA]
	1530003091	S.TRA 2SC4213-B(TE85R,F)	[EUR]
	1530003091	S.TRA 2SC4213-B(TE85R,F)	[AUS]
	1530003091	S.TRA 2SC4213-B(TE85R,F)	[UK]
	1530003091	S.TRA 2SC4213-B(TE85R,F)	[DEN]
	1530003091	S.TRA 2SC4213-B(TE85R,F)	[SEA]
	1530003091	S.TRA 2SC4213-B(TE85R,F)	[OTH]
D141	1750000461	S.DIO 1SV246-TL-E	
D142	1750000461	S.DIO 1SV246-TL-E	
D151	1750000971	S.DIO CPH5513-TL-E	
D172	1790000620	S.DIO MA77(TX)	
D181	1750000971	S.DIO CPH5513-TL-E	
D182	1790000620	S.DIO MA77(TX)	
D202	1790000620	S.DIO MA77(TX)	
D221	1750000971	S.DIO CPH5513-TL-E	
D222	1790000620	S.DIO MA77(TX)	

M.=Mounted side (T: Mounted on the Top side, B: Mounted on the Bottom side)
S.=Surface mount

[MAIN UNIT] (For other than [USA-2], [OTH-2], [CHN-1])

REF NO.	ORDER NO.	DESCRIPTION	
D242	1790000620	S.DIO MA77(TX)	
D261	1750000971	S.DIO CPH5513-TL-E	
D262	1790000620	S.DIO MA77(TX)	
D282	1790000620	S.DIO MA77(TX)	
D301	1750000971	S.DIO CPH5513-TL-E	
D302	1790000620	S.DIO MA77(TX)	
D322	1790000620	S.DIO MA77(TX)	
D341	1750000441	S.DIO 1SV263-TL-E	
D342	1790000620	S.DIO MA77(TX)	
D371	1790000620	S.DIO MA77(TX)	
D372	1790000620	S.DIO MA77(TX)	
D381	1790000620	S.DIO MA77(TX)	
D382	1790000620	S.DIO MA77(TX)	
D391	1790000620	S.DIO MA77(TX)	
D392	1790000620	S.DIO MA77(TX)	
D491	1750000431	S.DIO HSB88WSTR-E	
D711	1790000620	S.DIO MA77(TX)	
D712	1790000620	S.DIO MA77(TX)	
D713	1790000620	S.DIO MA77(TX)	
D714	1790000620	S.DIO MA77(TX)	
D731	1790001211	S.DIO 1SS375-TL-E	
D732	1750000550	S.DIO 1SS355 TE-17	
D761	1790000620	S.DIO MA77(TX)	
D762	1790000620	S.DIO MA77(TX)	
D763	1790000620	S.DIO MA77(TX)	
D764	1790000620	S.DIO MA77(TX)	
D771	1790000620	S.DIO MA77(TX)	
D772	1790000620	S.DIO MA77(TX)	
D773	1790000620	S.DIO MA77(TX)	
D774	1790000620	S.DIO MA77(TX)	
D781	1790000620	S.DIO MA77(TX)	
D782	1790000620	S.DIO MA77(TX)	
D783	1790000620	S.DIO MA77(TX)	
D784	1790000620	S.DIO MA77(TX)	
D831	1750000301	S.DIO 1SS302(TE85R,F)	
D851	1790000620	S.DIO MA77(TX)	
D852	1790000620	S.DIO MA77(TX)	
D861	1790000620	S.DIO MA77(TX)	
D862	1790000620	S.DIO MA77(TX)	
D871	1790000620	S.DIO MA77(TX)	
D872	1790000620	S.DIO MA77(TX)	
D881	1790000620	S.DIO MA77(TX)	
D882	1790000620	S.DIO MA77(TX)	
D1041	1790001211	S.DIO 1SS375-TL-E	[USA-1]
	1790001211	S.DIO 1SS375-TL-E	[OTH-1]
	1790001211	S.DIO 1SS375-TL-E	[CHN]
D1051	1790001211	S.DIO 1SS375-TL-E	
D1061	1790001211	S.DIO 1SS375-TL-E	
D1311	1750000550	S.DIO 1SS355 TE-17	
D1351	1790000700	DIO DSA3A1	
D1371	1750000550	S.DIO 1SS355 TE-17	
D1381	1750000301	S.DIO 1SS302(TE85R,F)	
D1412	1750000301	S.DIO 1SS302(TE85R,F)	
D1413	1730002830	S.ZEN DZ2J051M	
D1771	1750000550	S.DIO 1SS355 TE-17	
FI461	2010002090	FIL UM-5 69.0115 MHz (FL-261)	
FI701	2010000270	FIL 9M15A (FL-23)	
FI761	2010002130	D.F 9M22D4 9.0115 MHz (FL-272)	
FI851	2020000210	CER CFJ455K5 (FL-65)	
FI861	2020001460	CER CFWLA450KHFA-B0 (CFWS450HT)	
FI871	2020001210	CER CFWLA450KEFA-B0 (CFWS450E)	
X1001	6070000200	DIS CDBLA450KCAY24-B0 (CDB450C24)	
X2021	6060000721	CER CSALF3M60GZZF03-B0	[USA]
	6060000721	CER CSALF3M60GZZF03-B0	[EUR]
	6060000721	CER CSALF3M60GZZF03-B0	[AUS]
	6060000721	CER CSALF3M60GZZF03-B0	[UK]
	6060000721	CER CSALF3M60GZZF03-B0	[DEN]
	6060000721	CER CSALF3M60GZZF03-B0	[SEA]
	6060000721	CER CSALF3M60GZZF03-B0	[OTH]
L101	6140002070	COI LR-233	
L131	6200003431	S.COI NLV32T-R10J	
L132	6200003421	S.COI NLV32T-R15J	
L151	6200005491	S.COI NLV32T-331J	
L161	6200005491	S.COI NLV32T-331J	
L162	6200008790	S.COI ACL3225S-4R7K-T	
L163	6200008800	S.COI ACL3225S-5R6K-T	
L171	6200005491	S.COI NLV32T-331J	
L172	6200002961	S.COI NLV32T-4R7J	
L173	6200003111	S.COI NLV32T-6R8J	
L181	6200005491	S.COI NLV32T-331J	
L182	6200003091	S.COI NLV32T-2R7J	
L183	6200003101	S.COI NLV32T-3R9J	
L184	6200005491	S.COI NLV32T-331J	
L201	6200005491	S.COI NLV32T-331J	
L202	6200002991	S.COI NLV32T-2R2J	
L203	6200002991	S.COI NLV32T-2R2J	
L204	6200003321	S.COI NLV32T-3R3J	
L205	6200002961	S.COI NLV32T-4R7J	
L221	6200003241	S.COI NLV32T-221J	
L222	6200003081	S.COI NLV32T-1R8J	
L223	6200003061	S.COI NLV32T-1R2J	
L224	6200003071	S.COI NLV32T-1R5J	
L225	6200003071	S.COI NLV32T-1R5J	
L241	6200003241	S.COI NLV32T-221J	
L242	6200003061	S.COI NLV32T-1R2J	
L243	6200003331	S.COI NLV32T-1R0J	
L244	6200003331	S.COI NLV32T-1R0J	
L245	6200003081	S.COI NLV32T-1R8J	

[MAIN UNIT] (For other than [USA-2], [OTH-2], [CHN-1])

REF NO.	ORDER NO.	DESCRIPTION	
L261	6200003241	S.COI NLV32T-221J	
L262	6200003251	S.COI NLV32T-R39J	
L263	6200002981	S.COI NLV32T-R56J	
L264	6200003041	S.COI NLV32T-R68J	
L265	6200003331	S.COI NLV32T-1R0J	
L281	6200001831	S.COI NLV32T-100J	
L282	6200003021	S.COI NLV32T-R33J	
L283	6200003251	S.COI NLV32T-R39J	
L284	6200003031	S.COI NLV32T-R47J	
L285	6200003031	S.COI NLV32T-R47J	[USA]
	6200003031	S.COI NLV32T-R47J	[EUR]
	6200003030	S.COI NL 322522T-R47J-3	[AUS]
	6200003031	S.COI NLV32T-R47J	[UK]
	6200003030	S.COI NL 322522T-R47J-3	[DEN]
	6200003031	S.COI NLV32T-R47J	[SEA]
	6200003031	S.COI NLV32T-R47J	[OTH]
	6200003031	S.COI NLV32T-R47J	[USA-1]
	6200003031	S.COI NLV32T-R47J	[OTH-1]
	6200003031	S.COI NLV32T-R47J	[CHN]
L301	6200001831	S.COI NLV32T-100J	[USA]
	6200001831	S.COI NLV32T-100J	[EUR]
	6200001830	S.COI NL 322522T-100J	[AUS]
	6200001831	S.COI NLV32T-100J	[UK]
	6200001830	S.COI NL 322522T-100J	[DEN]
	6200001831	S.COI NLV32T-100J	[SEA]
	6200001831	S.COI NLV32T-100J	[OTH]
	6200001831	S.COI NLV32T-100J	[USA-1]
	6200001831	S.COI NLV32T-100J	[OTH-1]
	6200001831	S.COI NLV32T-100J	[CHN]
L302	6200003021	S.COI NLV32T-R33J	[USA]
	6200003021	S.COI NLV32T-R33J	[EUR]
	6200003020	S.COI NL 322522T-R33J-3	[AUS]
	6200003021	S.COI NLV32T-R33J	[UK]
	6200003020	S.COI NL 322522T-R33J-3	[DEN]
	6200003021	S.COI NLV32T-R33J	[SEA]
	6200003021	S.COI NLV32T-R33J	[OTH]
L303	6200003011	S.COI NLV32T-R27J	[CHN]
L304	6200003021	S.COI NLV32T-R33J	
L305	6200003031	S.COI NLV32T-R47J	
L321	6200001831	S.COI NLV32T-100J	
L322	6200003001	S.COI NLV32T-R22J	
L323	6200003421	S.COI NLV32T-R15J	
L324	6180002961	S.COI NLV32T-R18J	
L325	6200003001	S.COI NLV32T-R22J	
L326	6200003001	S.COI NLV32T-R22J	
L341	6200001831	S.COI NLV32T-100J	
L342	6200001471	S.COI NLV32T-R12J	
L343	6200003421	S.COI NLV32T-R15J	
L345	6200003421	S.COI NLV32T-R15J	
L346	6200001471	S.COI NLV32T-R12J	
L361	6200005491	S.COI NLV32T-331J	
L362	6200005491	S.COI NLV32T-331J	
L371	6200003241	S.COI NLV32T-221J	
L381	6140000640	COI LR-86	
L382	6200003071	S.COI NLV32T-1R5J	[USA]
	6200003071	S.COI NLV32T-1R5J	[EUR]
	6200003070	S.COI NL 322522T-1R5J-3	[AUS]
	6200003071	S.COI NLV32T-1R5J	[UK]
	6200003070	S.COI NL 322522T-1R5J-3	[DEN]
	6200003071	S.COI NLV32T-1R5J	[SEA]
	6200003071	S.COI NLV32T-1R5J	[OTH]
	6200003071	S.COI NLV32T-1R5J	[USA-1]
	6200003071	S.COI NLV32T-1R5J	[OTH-1]
	6200003071	S.COI NLV32T-1R5J	[CHN]
L383	6140001500	COI LR-171	
L384	6200005491	S.COI NLV32T-331J	[USA]
	6200005491	S.COI NLV32T-331J	[EUR]
	6200005490	S.COI NL 322522T-331J	[AUS]
	6200005491	S.COI NLV32T-331J	[UK]
	6200005490	S.COI NL 322522T-331J	[DEN]
	6200005491	S.COI NLV32T-331J	[SEA]
	6200005491	S.COI NLV32T-331J	[OTH]
	6200005491	S.COI NLV32T-331J	[USA-1]
	6200005491	S.COI NLV32T-331J	[OTH-1]
	6200005491	S.COI NLV32T-331J	[CHN]
L385	6170000291	COI LW-30-LF	
L391	6200003241	S.COI NLV32T-221J	[USA]
	6200003241	S.COI NLV32T-221J	[EUR]
	6200003240	S.COI NL 322522T-221J	[AUS]
	6200003241	S.COI NLV32T-221J	[UK]
	6200003240	S.COI NL 322522T-221J	[DEN]
	6200003241	S.COI NLV32T-221J	[SEA]
	6200003241	S.COI NLV32T-221J	[OTH]
	6200003241	S.COI NLV32T-221J	[USA-1]
	6200003241	S.COI NLV32T-221J	[OTH-1]
	6200003241	S.COI NLV32T-221J	[CHN]
L392	6200003241	S.COI NLV32T-221J	
L401	6200005491	S.COI NLV32T-331J	
L411	6200003001	S.COI NLV32T-R22J	
L412	6200003021	S.COI NLV32T-R33J	
L413	6200001831	S.COI NLV32T-100J	
L421	6200003431	S.COI NLV32T-R10J	
L422	6200003421	S.COI NLV32T-R15J	
L431	6200003431	S.COI NLV32T-R10J	
L432	6200003421	S.COI NLV32T-R15J	
L441	6140001500	COI LR-171	
L442	6200003431	S.COI NLV32T-R10J	
L443	6150004270	COI LS-483A (C-14924)	
L444	6200001831	S.COI NLV32T-100J	
L461	6150004270	COI LS-483A (C-14924)	
L462	6150004270	COI LS-483A (C-14924)	

M.=Mounted side (T: Mounted on the Top side, B: Mounted on the Bottom side)
S.=Surface mount

[MAIN UNIT] (For other than [USA-2], [OTH-2], [CHN-1])

REF NO.	ORDER NO.	DESCRIPTION	
L471	6150004280	COI LS-484B (C-14927)	
L491	6140002810	S.COI LR-317	
L492	6140002810	S.COI LR-317	
L701	6150000711	COI LS-452	
L711	6150000711	COI LS-452	
L712	6150000711	COI LS-452	
L721	6200001831	S.COI NLV32T-100J	
L731	6150004050	COI LS-466	
L732	6150004050	COI LS-466	
L733	6200003241	S.COI NLV32T-221J	
L891	6150002291	COI LS-450	
L892	6150002291	COI LS-450	
L911	6150002291	COI LS-450	
L1001	6200003241	S.COI NLV32T-221J	
L1291	6170000140	COI LW-15	
L1311	6200003241	S.COI NLV32T-221J	
L1321	6200003950	S.COI HF50ACC 322513-T	
L1322	6200003950	S.COI HF50ACC 322513-T	
L1411	6200003241	S.COI NLV32T-221J	
L1412	6200005491	S.COI NLV32T-331J	
L1771	6200003241	S.COI NLV32T-221J	
L2011	6200005491	S.COI NLV32T-331J	[USA]
	6200005491	S.COI NLV32T-331J	[EUR]
	6200005491	S.COI NLV32T-331J	[AUS]
	6200005491	S.COI NLV32T-331J	[UK]
	6200005491	S.COI NLV32T-331J	[DEN]
	6200005491	S.COI NLV32T-331J	[SEA]
	6200005491	S.COI NLV32T-331J	[OTH]
L2041	6200003241	S.COI NLV32T-221J	[USA]
	6200003241	S.COI NLV32T-221J	[EUR]
	6200003241	S.COI NLV32T-221J	[AUS]
	6200003241	S.COI NLV32T-221J	[UK]
	6200003241	S.COI NLV32T-221J	[DEN]
	6200003241	S.COI NLV32T-221J	[SEA]
	6200003241	S.COI NLV32T-221J	[OTH]
R101	7030003640	S.RES ERJ3GEYJ 473 V (47K)	
R102	7540000090	ABS DSP-201M-S00B	
R111	7030003640	S.RES ERJ3GEYJ 473 V (47K)	
R112	7540000090	ABS DSP-201M-S00B	
R141	7030003480	S.RES ERJ3GEYJ 222 V (2.2K)	
R142	7030003400	S.RES ERJ3GEYJ 471 V (470)	
R143	7030003380	S.RES ERJ3GEYJ 331 V (330)	
R144	7030003300	S.RES ERJ3GEYJ 680 V (68)	
R151	7030006260	S.RES ERJ12VJ471U (470)	
R152	7030003560	S.RES ERJ3GEYJ 103 V (10K)	
R171	7030003370	S.RES ERJ3GEYJ 271 V (270)	
R172	7030003230	S.RES ERJ3GEYJ 180 V (18)	
R173	7030003370	S.RES ERJ3GEYJ 271 V (270)	
R174	7030003200	S.RES ERJ3GEYJ 100 V (10)	
R181	7030003320	S.RES ERJ3GEYJ 101 V (100)	
R201	7030003320	S.RES ERJ3GEYJ 101 V (100)	
R221	7030003320	S.RES ERJ3GEYJ 101 V (100)	
R241	7030003320	S.RES ERJ3GEYJ 101 V (100)	
R261	7030003320	S.RES ERJ3GEYJ 101 V (100)	
R281	7030003320	S.RES ERJ3GEYJ 101 V (100)	
R301	7030003320	S.RES ERJ3GEYJ 101 V (100)	
R321	7030003320	S.RES ERJ3GEYJ 101 V (100)	
R341	7030003320	S.RES ERJ3GEYJ 101 V (100)	
R361	7030006260	S.RES ERJ12VJ471U (470)	
R362	7030006260	S.RES ERJ12VJ471U (470)	
R371	7030003320	S.RES ERJ3GEYJ 101 V (100)	
R372	7030003320	S.RES ERJ3GEYJ 101 V (100)	
R381	7030003320	S.RES ERJ3GEYJ 101 V (100)	
R382	7030003280	S.RES ERJ3GEYJ 470 V (47)	
R383	7030003280	S.RES ERJ3GEYJ 470 V (47)	
R384	7030003320	S.RES ERJ3GEYJ 101 V (100)	
R385	7030003320	S.RES ERJ3GEYJ 101 V (100)	
R386	7030003320	S.RES ERJ3GEYJ 101 V (100)	
R391	7030003320	S.RES ERJ3GEYJ 101 V (100)	
R392	7030003400	S.RES ERJ3GEYJ 471 V (470)	
R393	7030003320	S.RES ERJ3GEYJ 101 V (100)	
R394	7030003370	S.RES ERJ3GEYJ 271 V (270)	
R395	7030003230	S.RES ERJ3GEYJ 180 V (18)	
R396	7030003370	S.RES ERJ3GEYJ 271 V (270)	
R401	7030006260	S.RES ERJ12VJ471U (470)	
R411	7030003300	S.RES ERJ3GEYJ 680 V (68)	
R412	7030003520	S.RES ERJ3GEYJ 472 V (4.7K)	
R413	7030003410	S.RES ERJ3GEYJ 561 V (560)	
R414	7030003200	S.RES ERJ3GEYJ 100 V (10)	
R415	7030003280	S.RES ERJ3GEYJ 470 V (47)	
R442	7030003410	S.RES ERJ3GEYJ 561 V (560)	
R443	7030003410	S.RES ERJ3GEYJ 561 V (560)	
R444	7310005580	S.TRI TMC3ADC53X (4.7K)	
R445	7030003280	S.RES ERJ3GEYJ 470 V (47)	
R446	7030003560	S.RES ERJ3GEYJ 103 V (10K)	
R447	7030003280	S.RES ERJ3GEYJ 470 V (47)	
R448	7030003400	S.RES ERJ3GEYJ 471 V (470)	
R449	7030003320	S.RES ERJ3GEYJ 101 V (100)	
R471	7030003760	S.RES ERJ3GEYJ 474 V (470K)	
R472	7030003280	S.RES ERJ3GEYJ 470 V (47)	
R473	7030003200	S.RES ERJ3GEYJ 100 V (10)	
R474	7030003520	S.RES ERJ3GEYJ 472 V (4.7K)	
R475	7030003580	S.RES ERJ3GEYJ 153 V (15K)	
R476	7030003480	S.RES ERJ3GEYJ 222 V (2.2K)	
R477	7030003340	S.RES ERJ3GEYJ 151 V (150)	
R478	7030003480	S.RES ERJ3GEYJ 222 V (2.2K)	
R479	7030003280	S.RES ERJ3GEYJ 470 V (47)	
R491	7030003370	S.RES ERJ3GEYJ 271 V (270)	
R492	7030003230	S.RES ERJ3GEYJ 180 V (18)	
R493	7030003370	S.RES ERJ3GEYJ 271 V (270)	
R563	7030003640	S.RES ERJ3GEYJ 473 V (47K)	
R564	7030003640	S.RES ERJ3GEYJ 473 V (47K)	

[MAIN UNIT] (For other than [USA-2], [OTH-2], [CHN-1])

REF NO.	ORDER NO.	DESCRIPTION	
R565	7030003640	S.RES ERJ3GEYJ 473 V (47K)	
R566	7030003640	S.RES ERJ3GEYJ 473 V (47K)	
R567	7030003640	S.RES ERJ3GEYJ 473 V (47K)	
R568	7030003640	S.RES ERJ3GEYJ 473 V (47K)	
R569	7030003640	S.RES ERJ3GEYJ 473 V (47K)	
R570	7030003640	S.RES ERJ3GEYJ 473 V (47K)	
R571	7030003200	S.RES ERJ3GEYJ 100 V (10)	
R572	7030003200	S.RES ERJ3GEYJ 100 V (10)	
R573	7030003200	S.RES ERJ3GEYJ 100 V (10)	
R574	7030003200	S.RES ERJ3GEYJ 100 V (10)	
R575	7030003200	S.RES ERJ3GEYJ 100 V (10)	
R576	7030003200	S.RES ERJ3GEYJ 100 V (10)	
R577	7030003200	S.RES ERJ3GEYJ 100 V (10)	
R578	7030003200	S.RES ERJ3GEYJ 100 V (10)	
R579	7030003640	S.RES ERJ3GEYJ 473 V (47K)	
R580	7030003640	S.RES ERJ3GEYJ 473 V (47K)	
R583	7030003640	S.RES ERJ3GEYJ 473 V (47K)	
R587	7030003200	S.RES ERJ3GEYJ 100 V (10)	
R588	7030003200	S.RES ERJ3GEYJ 100 V (10)	
R589	7030003200	S.RES ERJ3GEYJ 100 V (10)	
R590	7030003200	S.RES ERJ3GEYJ 100 V (10)	
R591	7030003200	S.RES ERJ3GEYJ 100 V (10)	
R592	7030003200	S.RES ERJ3GEYJ 100 V (10)	
R593	7030003200	S.RES ERJ3GEYJ 100 V (10)	
R711	7030003480	S.RES ERJ3GEYJ 222 V (2.2K)	
R712	7030003480	S.RES ERJ3GEYJ 222 V (2.2K)	
R713	7030003360	S.RES ERJ3GEYJ 221 V (220)	
R721	7030003520	S.RES ERJ3GEYJ 472 V (4.7K)	
R722	7030003610	S.RES ERJ3GEYJ 273 V (27K)	
R723	7030003760	S.RES ERJ3GEYJ 474 V (470K)	
R724	7030003340	S.RES ERJ3GEYJ 151 V (150)	
R725	7030003320	S.RES ERJ3GEYJ 101 V (100)	
R731	7030003680	S.RES ERJ3GEYJ 104 V (100K)	
R732	7030003520	S.RES ERJ3GEYJ 472 V (4.7K)	
R733	7030003320	S.RES ERJ3GEYJ 101 V (100)	
R734	7030003320	S.RES ERJ3GEYJ 101 V (100)	
R735	7030003600	S.RES ERJ3GEYJ 223 V (22K)	
R736	7310005540	S.TRI TMC3ADC14X (10K)	
R737	7030003640	S.RES ERJ3GEYJ 473 V (47K)	
R738	7030003640	S.RES ERJ3GEYJ 473 V (47K)	
R739	7030003640	S.RES ERJ3GEYJ 473 V (47K)	
R740	7030003440	S.RES ERJ3GEYJ 102 V (10K)	
R741	7030003520	S.RES ERJ3GEYJ 472 V (4.7K)	
R742	7030003320	S.RES ERJ3GEYJ 101 V (100)	
R743	7030003640	S.RES ERJ3GEYJ 473 V (47K)	
R744	7030003520	S.RES ERJ3GEYJ 472 V (4.7K)	
R745	7030003680	S.RES ERJ3GEYJ 104 V (100K)	
R746	7030003540	S.RES ERJ3GEYJ 682 V (6.8K)	
R747	7030003400	S.RES ERJ3GEYJ 102 V (10K)	
R748	7030003400	S.RES ERJ3GEYJ 471 V (470)	
R749	7030003600	S.RES ERJ3GEYJ 223 V (22K)	
R750	7030003440	S.RES ERJ3GEYJ 102 V (10K)	
R751	7030003280	S.RES ERJ3GEYJ 470 V (47)	
R761	7030003480	S.RES ERJ3GEYJ 222 V (2.2K)	
R762	7030003360	S.RES ERJ3GEYJ 221 V (220)	
R763	7030003360	S.RES ERJ3GEYJ 221 V (220)	
R764	7030003480	S.RES ERJ3GEYJ 222 V (2.2K)	
R765	7030003560	S.RES ERJ3GEYJ 103 V (10K)	
R771	7030003480	S.RES ERJ3GEYJ 222 V (2.2K)	
R772	7030003360	S.RES ERJ3GEYJ 221 V (220)	
R773	7030003360	S.RES ERJ3GEYJ 221 V (220)	
R774	7030003480	S.RES ERJ3GEYJ 222 V (2.2K)	
R775	7030003560	S.RES ERJ3GEYJ 103 V (10K)	
R781	7030003480	S.RES ERJ3GEYJ 222 V (2.2K)	
R782	7030003360	S.RES ERJ3GEYJ 221 V (220)	
R783	7030003360	S.RES ERJ3GEYJ 221 V (220)	
R784	7030003480	S.RES ERJ3GEYJ 222 V (2.2K)	
R785	7030003560	S.RES ERJ3GEYJ 103 V (10K)	
R791	7030003480	S.RES ERJ3GEYJ 222 V (2.2K)	
R792	7030003520	S.RES ERJ3GEYJ 472 V (4.7K)	
R793	7030003480	S.RES ERJ3GEYJ 222 V (2.2K)	
R794	7030003480	S.RES ERJ3GEYJ 222 V (2.2K)	
R795	7030003520	S.RES ERJ3GEYJ 472 V (4.7K)	
R796	7030003480	S.RES ERJ3GEYJ 222 V (2.2K)	
R801	7030003440	S.RES ERJ3GEYJ 102 V (10K)	
R802	7030003320	S.RES ERJ3GEYJ 101 V (100)	
R811	7030003460	S.RES ERJ3GEYJ 152 V (1.5K)	
R812	7030003400	S.RES ERJ3GEYJ 471 V (470)	
R813	7030003400	S.RES ERJ3GEYJ 471 V (470)	
R814	7030003500	S.RES ERJ3GEYJ 332 V (3.3K)	
R815	7030003500	S.RES ERJ3GEYJ 332 V (3.3K)	
R816	7030003490	S.RES ERJ3GEYJ 272 V (2.7K)	
R817	7030003490	S.RES ERJ3GEYJ 272 V (2.7K)	
R818	7030003490	S.RES ERJ3GEYJ 272 V (2.7K)	
R819	7030003440	S.RES ERJ3GEYJ 102 V (10K)	
R820	7030003440	S.RES ERJ3GEYJ 102 V (10K)	
R821	7030003500	S.RES ERJ3GEYJ 332 V (3.3K)	
R822	7030003200	S.RES ERJ3GEYJ 100 V (10)	
R823	7030003200	S.RES ERJ3GEYJ 100 V (10)	
R824	7030003360	S.RES ERJ3GEYJ 221 V (220)	
R825	7510001480	S.THE NTCG10 3NH 681JT	
R831	7030004710	S.RES ERJ3GEYJ 475 V (4.7M)	
R832	7030004710	S.RES ERJ3GEYJ 475 V (4.7M)	
R833	7030004710	S.RES ERJ3GEYJ 475 V (4.7M)	
R834	7030004710	S.RES ERJ3GEYJ 475 V (4.7M)	
R835	7030003820	S.RES ERJ3GEYJ 155 V (1.5M)	
R836	7030003520	S.RES ERJ3GEYJ 472 V (4.7K)	
R841	7030003560	S.RES ERJ3GEYJ 103 V (10K)	
R851	7030003560	S.RES ERJ3GEYJ 103 V (10K)	
R852	7030003360	S.RES ERJ3GEYJ 221 V (220)	
R853	7030003360	S.RES ERJ3GEYJ 221 V (220)	
R854	7030003560	S.RES ERJ3GEYJ 103 V (10K)	
R855	7030003560	S.RES ERJ3GEYJ 103 V (10K)	
R861	7030003560	S.RES ERJ3GEYJ 103 V (10K)	

M.=Mounted side (T: Mounted on the Top side, B: Mounted on the Bottom side)
S.=Surface mount

[MAIN UNIT] (For other than [USA-2], [OTH-2], [CHN-1])

REF NO.	ORDER NO.	DESCRIPTION		
C2021	4030006860	S.CER C1608 JB 1H 102K-T	[USA]	
	4030006860	S.CER C1608 JB 1H 102K-T	[EUR]	
	4030006860	S.CER C1608 JB 1H 102K-T	[AUS]	
	4030006860	S.CER C1608 JB 1H 102K-T	[UK]	
	4030006860	S.CER C1608 JB 1H 102K-T	[DEN]	
	4030006860	S.CER C1608 JB 1H 102K-T	[SEA]	
	4030006860	S.CER C1608 JB 1H 102K-T	[OTH]	
	C2022	4030007080	S.CER C1608 CH 1H 390J-T	[USA]
		4030007080	S.CER C1608 CH 1H 390J-T	[EUR]
		4030007080	S.CER C1608 CH 1H 390J-T	[AUS]
4030007080		S.CER C1608 CH 1H 390J-T	[UK]	
4030007080		S.CER C1608 CH 1H 390J-T	[DEN]	
4030007080		S.CER C1608 CH 1H 390J-T	[SEA]	
4030007080		S.CER C1608 CH 1H 390J-T	[OTH]	
C2023		4030007020	S.CER C1608 CH 1H 120J-T	[USA]
		4030007020	S.CER C1608 CH 1H 120J-T	[EUR]
		4030007020	S.CER C1608 CH 1H 120J-T	[AUS]
	4030007020	S.CER C1608 CH 1H 120J-T	[UK]	
	4030007020	S.CER C1608 CH 1H 120J-T	[DEN]	
	4030007020	S.CER C1608 CH 1H 120J-T	[SEA]	
	4030007020	S.CER C1608 CH 1H 120J-T	[OTH]	
	C2024	4510008520	S.ELE EEE1CA470SP	[USA]
		4510008520	S.ELE EEE1CA470SP	[EUR]
		4510008520	S.ELE EEE1CA470SP	[AUS]
4510008520		S.ELE EEE1CA470SP	[UK]	
4510008520		S.ELE EEE1CA470SP	[DEN]	
4510008520		S.ELE EEE1CA470SP	[SEA]	
4510008520		S.ELE EEE1CA470SP	[OTH]	
C2031		4030006860	S.CER C1608 JB 1H 102K-T	[USA]
		4030006860	S.CER C1608 JB 1H 102K-T	[EUR]
		4030006860	S.CER C1608 JB 1H 102K-T	[AUS]
	4030006860	S.CER C1608 JB 1H 102K-T	[UK]	
	4030006860	S.CER C1608 JB 1H 102K-T	[DEN]	
	4030006860	S.CER C1608 JB 1H 102K-T	[SEA]	
	4030006860	S.CER C1608 JB 1H 102K-T	[OTH]	
	C2032	4030006860	S.CER C1608 JB 1H 102K-T	[USA]
		4030006860	S.CER C1608 JB 1H 102K-T	[EUR]
		4030006860	S.CER C1608 JB 1H 102K-T	[AUS]
4030006860		S.CER C1608 JB 1H 102K-T	[UK]	
4030006860		S.CER C1608 JB 1H 102K-T	[DEN]	
4030006860		S.CER C1608 JB 1H 102K-T	[SEA]	
4030006860		S.CER C1608 JB 1H 102K-T	[OTH]	
C2033		4030006860	S.CER C1608 JB 1H 102K-T	[USA]
		4030006860	S.CER C1608 JB 1H 102K-T	[EUR]
		4030006860	S.CER C1608 JB 1H 102K-T	[AUS]
	4030006860	S.CER C1608 JB 1H 102K-T	[UK]	
	4030006860	S.CER C1608 JB 1H 102K-T	[DEN]	
	4030006860	S.CER C1608 JB 1H 102K-T	[SEA]	
	4030006860	S.CER C1608 JB 1H 102K-T	[OTH]	
	C2034	4030006860	S.CER C1608 JB 1H 102K-T	[USA]
		4030006860	S.CER C1608 JB 1H 102K-T	[EUR]
		4030006860	S.CER C1608 JB 1H 102K-T	[AUS]
4030006860		S.CER C1608 JB 1H 102K-T	[UK]	
4030006860		S.CER C1608 JB 1H 102K-T	[DEN]	
4030006860		S.CER C1608 JB 1H 102K-T	[SEA]	
4030006860		S.CER C1608 JB 1H 102K-T	[OTH]	
C2035		4030011600	S.CER C1608 JB 1E 104K-T	[USA]
		4030011600	S.CER C1608 JB 1E 104K-T	[EUR]
		4030011600	S.CER C1608 JB 1E 104K-T	[AUS]
	4030011600	S.CER C1608 JB 1E 104K-T	[UK]	
	4030011600	S.CER C1608 JB 1E 104K-T	[DEN]	
	4030011600	S.CER C1608 JB 1E 104K-T	[SEA]	
	4030011600	S.CER C1608 JB 1E 104K-T	[OTH]	
	C2036	4030011600	S.CER C1608 JB 1E 104K-T	[USA]
		4030011600	S.CER C1608 JB 1E 104K-T	[EUR]
		4030011600	S.CER C1608 JB 1E 104K-T	[AUS]
4030011600		S.CER C1608 JB 1E 104K-T	[UK]	
4030011600		S.CER C1608 JB 1E 104K-T	[DEN]	
4030011600		S.CER C1608 JB 1E 104K-T	[SEA]	
4030011600		S.CER C1608 JB 1E 104K-T	[OTH]	
C2037		4030006860	S.CER C1608 JB 1H 102K-T	[USA]
		4030006860	S.CER C1608 JB 1H 102K-T	[EUR]
		4030006860	S.CER C1608 JB 1H 102K-T	[AUS]
	4030006860	S.CER C1608 JB 1H 102K-T	[UK]	
	4030006860	S.CER C1608 JB 1H 102K-T	[DEN]	
	4030006860	S.CER C1608 JB 1H 102K-T	[SEA]	
	4030006860	S.CER C1608 JB 1H 102K-T	[OTH]	
	C2041	4510008540	S.ELE EEE1CA100SR	[USA]
		4510008540	S.ELE EEE1CA100SR	[EUR]
		4510008540	S.ELE EEE1CA100SR	[AUS]
4510008540		S.ELE EEE1CA100SR	[UK]	
4510008540		S.ELE EEE1CA100SR	[DEN]	
4510008540		S.ELE EEE1CA100SR	[SEA]	
4510008540		S.ELE EEE1CA100SR	[OTH]	
C2042		4030011600	S.CER C1608 JB 1E 104K-T	[USA]
		4030011600	S.CER C1608 JB 1E 104K-T	[EUR]
		4030011600	S.CER C1608 JB 1E 104K-T	[AUS]
	4030011600	S.CER C1608 JB 1E 104K-T	[UK]	
	4030011600	S.CER C1608 JB 1E 104K-T	[DEN]	
	4030011600	S.CER C1608 JB 1E 104K-T	[SEA]	
	4030011600	S.CER C1608 JB 1E 104K-T	[OTH]	
	C2051	4510008530	S.ELE EEE1HA2R2SR	[USA]
		4510008530	S.ELE EEE1HA2R2SR	[EUR]
		4510008530	S.ELE EEE1HA2R2SR	[AUS]
4510008530		S.ELE EEE1HA2R2SR	[UK]	
4510008530		S.ELE EEE1HA2R2SR	[DEN]	
4510008530		S.ELE EEE1HA2R2SR	[SEA]	
4510008530		S.ELE EEE1HA2R2SR	[OTH]	
RL121		6330000180	REL MZ-12HG	
RL141		6330000180	REL MZ-12HG	

[MAIN UNIT] (For other than [USA-2], [OTH-2], [CHN-1])

REF NO.	ORDER NO.	DESCRIPTION	
CP731	6910009670	S.CHE HK3-S-T	
J101	6510021460	CON PT-C02P01	
J111	6510007020	CON TMP-J01X-V6	
J411	6510007020	CON TMP-J01X-V6	
J491	6510007020	CON TMP-J01X-V6	
J781	6450001560	CON PD-72	
J782	6450001560	CON PD-72	
J783	6450001560	CON PD-72	
J784	6450001560	CON PD-72	
J811	6510007020	CON TMP-J01X-V6	
J881	6450001560	CON PD-72	
J882	6450001560	CON PD-72	
J883	6450001560	CON PD-72	
J884	6450001560	CON PD-72	
J1081	6510007020	CON TMP-J01X-V6	
J1221	6510018971	S.CON B4B-PH-SM4-TB(LF)(SN)	
J1231	6510019971	S.CON 52808-1071	
J1271	6510019191	S.CON 52365-0871	
J1311	6450001800	CON JPJ1044-01-010	
J1321	6450000140	CON HSJ0807-01-010	
J1351	6510023650	CON HEC0740-010618	
J1501	6510019981	S.CON 52808-1671(1690)	
J1521	6510019981	S.CON 52808-1671(1690)	
J1522	6510021861	CON BH-800.4GG <LTC>	
J1541	6510019981	S.CON 52808-1671(1690)	
J1561	6510019981	S.CON 52808-1671(1690)	
J1701	6450000140	CON HSJ0807-01-010	
J1751	6510021241	CON DELC-J9SAF-23L9E	
F1351	5210000051	FUS FGB 3A PBF (FGB0 125V)	
F1352	5220000230	HOL S-N5054 #01	
F1353	5220000230	HOL S-N5054 #01	
BT1521	3020000110	LIT CR-2032L/BK	
WS1	8600036540	CBL RX2240 P1241*J1241MA	

M.=Mounted side (T: Mounted on the Top side, B: Mounted on the Bottom side)
S.=Surface mount

[PLL UNIT]

REF NO.	ORDER NO.	DESCRIPTION
IC21	1140007881	S.IC TC190G08EFG0046JDZ/SC1246A
IC22	1110004460	S.IC UPB1509GV-E1
IC23	1130003831	S.IC TC7S04F(TE85R,F)
IC151	1140014960	S.IC TC190G02EFG-0058/SC1287A
IC201	1140014960	S.IC TC190G02EFG-0058/SC1287A
Q1	1530002571	S.TRA 2SC4405-3-TL-E
Q2	1530002571	S.TRA 2SC4405-3-TL-E
Q3	1590000680	S.TRA DTC114EUA T106
Q4	1590000680	S.TRA DTC114EUA T106
Q21	1530003001	S.TRA 2SC4117-BL(TE85R,F)
Q71	1560000491	S.FET 2SK508-T2B-A K52
Q72	1590000680	S.TRA DTC114EUA T106
Q81	1560000491	S.FET 2SK508-T2B-A K52
Q82	1590000680	S.TRA DTC114EUA T106
Q91	1530002571	S.TRA 2SC4405-3-TL-E
Q92	1590001330	S.TRA DTA114EUA T106
Q93	1590000680	S.TRA DTC114EUA T106
Q96	1530003001	S.TRA 2SC4117-BL(TE85R,F)
Q97	1530003001	S.TRA 2SC4117-BL(TE85R,F)
Q151	1530002881	S.TRA 2SC4226 Y24
Q201	1530002881	S.TRA 2SC4226 Y24
D1	1750000520	S.DIO DAN222TL
D2	1750000550	S.DIO 1SS355 TE-17
D71	1720000831	S.VAR KV1770STL-G
D72	1790001261	S.DIO MA2S077G0L
D81	1720000831	S.VAR KV1770STL-G
D82	1790001261	S.DIO MA2S077G0L
D83	1750002020	S.DIO DA2S10100L
D91	1790001261	S.DIO MA2S077G0L
D92	1790001261	S.DIO MA2S077G0L
D93	1790001641	S.DIO 1SS373(TPH3,F) [USA]
	1790001641	S.DIO 1SS373(TPH3,F) [EUR]
	1790001641	S.DIO 1SS373(TPH3,F) [AUS]
	1790001641	S.DIO 1SS373(TPH3,F) [UK]
	1790001641	S.DIO 1SS373(TPH3,F) [DEN]
	1790001641	S.DIO 1SS373(TPH3,F) [SEA]
	1790001641	S.DIO 1SS373(TPH3,F) [OTH]
	1750001460	S.DIO 1SS389(TPH3,F) [USA-1]
	1750001460	S.DIO 1SS389(TPH3,F) [OTH-1]
	1750001460	S.DIO 1SS389(TPH3,F) [CHN]
	1750001460	S.DIO 1SS389(TPH3,F) [USA-2]
	1750001460	S.DIO 1SS389(TPH3,F) [OTH-2]
	1750001460	S.DIO 1SS389(TPH3,F) [CHN-1]
D94	1790001641	S.DIO 1SS373(TPH3,F) [USA]
	1790001641	S.DIO 1SS373(TPH3,F) [EUR]
	1790001641	S.DIO 1SS373(TPH3,F) [AUS]
	1790001641	S.DIO 1SS373(TPH3,F) [UK]
	1790001641	S.DIO 1SS373(TPH3,F) [DEN]
	1790001641	S.DIO 1SS373(TPH3,F) [SEA]
	1790001641	S.DIO 1SS373(TPH3,F) [OTH]
	1750001460	S.DIO 1SS389(TPH3,F) [USA-1]
	1750001460	S.DIO 1SS389(TPH3,F) [OTH-1]
	1750001460	S.DIO 1SS389(TPH3,F) [CHN]
	1750001460	S.DIO 1SS389(TPH3,F) [USA-2]
	1750001460	S.DIO 1SS389(TPH3,F) [OTH-2]
	1750001460	S.DIO 1SS389(TPH3,F) [CHN-1]
X1	6050005712	XTA CR-275B HC-49/U 30.000 MHz
L1	6170000231	COI LW-25A
L2	6150004370	COI LS-472C (C-15045)
L3	6200003950	S.COI HF50ACC 322513-T
L4	6150004250	COI LS-471A (C-14922)
L5	6150004250	COI LS-471A (C-14922)
L22	6200003171	S.COI NLV32T-330J
L23	6200003181	S.COI NLV32T-390J
L24	6200003181	S.COI NLV32T-390J
L25	6200001831	S.COI NLV32T-100J
L26	6200003191	S.COI NLV32T-470J
L27	6200003191	S.COI NLV32T-470J
L71	6170000231	COI LW-25A
L72	6190001371	COI #E544GN-110254
L73	6170000231	COI LW-25A
L81	6180003390	COI SP0406-1R2K-6 [USA]
	6180003390	COI SP0406-1R2K-6 [EUR]
	6180003390	COI SP0406-1R2K-6 [AUS]
	6180003390	COI SP0406-1R2K-6 [UK]
	6170000231	COI LW-25A [DEN]
	6170000231	COI LW-25A [SEA]
	6180003390	COI SP0406-1R2K-6 [OTH]
	6180003390	COI SP0406-1R2K-6 [USA-1]
	6180003390	COI SP0406-1R2K-6 [OTH-1]
	6180003390	COI SP0406-1R2K-6 [CHN]
	6180003390	COI SP0406-1R2K-6 [USA-2]
	6180003390	COI SP0406-1R2K-6 [OTH-2]
	6180003390	COI SP0406-1R2K-6 [CHN-1]
L82	6190001281	COI #E544GN-110248

[PLL UNIT]

REF NO.	ORDER NO.	DESCRIPTION
L83	6180003390	COI SP0406-1R2K-6 [USA]
	6180003390	COI SP0406-1R2K-6 [EUR]
	6180003390	COI SP0406-1R2K-6 [AUS]
	6180003390	COI SP0406-1R2K-6 [UK]
	6170000231	COI LW-25A [DEN]
	6170000231	COI LW-25A [SEA]
	6180003390	COI SP0406-1R2K-6 [OTH]
	6180003390	COI SP0406-1R2K-6 [USA-1]
	6180003390	COI SP0406-1R2K-6 [OTH-1]
	6180003390	COI SP0406-1R2K-6 [CHN]
	6180003390	COI SP0406-1R2K-6 [USA-2]
	6180003390	COI SP0406-1R2K-6 [OTH-2]
	6180003390	COI SP0406-1R2K-6 [CHN-1]
L91	6180002961	S.COI NLV32T-R18J
L92	6180002981	S.COI NLV32T-056J
L93	6180002971	S.COI NLV32T-068J
L94	6200001831	S.COI NLV32T-100J
L151	6200003131	S.COI NLV32T-120J
L152	6200003141	S.COI NLV32T-150J
L153	6200001831	S.COI NLV32T-100J
L201	6200005491	S.COI NLV32T-331J
L202	6200008641	S.COI NLV32T-391J
L203	6200001831	S.COI NLV32T-100J
L204	6200003640	S.COI MLF1608E 100K-T
L205	6200003640	S.COI MLF1608E 100K-T
L206	6200004790	S.COI MLF1608D R47K-T
R1	7030003320	S.RES ERJ3GEYJ 101 V (100)
R2	7030003350	S.RES ERJ3GEYJ 153 V (15K)
R3	7030003350	S.RES ERJ3GEYJ 472 V (4.7K)
R4	7030003430	S.RES ERJ3GEYJ 821 V (820)
R5	7030003370	S.RES ERJ3GEYJ 271 V (270)
R6	7030003320	S.RES ERJ3GEYJ 101 V (100)
R7	7030003600	S.RES ERJ3GEYJ 223 V (22K)
R8	7030003350	S.RES ERJ3GEYJ 103 V (10K)
R9	7030003370	S.RES ERJ3GEYJ 271 V (270)
R10	7030003640	S.RES ERJ3GEYJ 473 V (47K)
R11	7030003320	S.RES ERJ3GEYJ 101 V (100)
R12	7030003360	S.RES ERJ3GEYJ 221 V (220)
R13	7030003200	S.RES ERJ3GEYJ 100 V (10)
R21	7030003370	S.RES ERJ3GEYJ 271 V (270)
R22	7030003350	S.RES ERJ3GEYJ 103 V (10K)
R23	7030007220	S.RES ERA3YED 202V (2K)
R24	7030007220	S.RES ERA3YED 202V (2K)
R25	7030007220	S.RES ERA3YED 202V (2K)
R26	7030007220	S.RES ERA3YED 202V (2K)
R27	7030007220	S.RES ERA3YED 202V (2K)
R28	7030007220	S.RES ERA3YED 202V (2K)
R29	7030007220	S.RES ERA3YED 202V (2K)
R30	7030007220	S.RES ERA3YED 202V (2K)
R31	7030007200	S.RES ERA3YEB 202V (2K) [USA]
	7030007200	S.RES ERA3YEB 202V (2K) [EUR]
	7030007200	S.RES ERA3YEB 202V (2K) [AUS]
	7030007200	S.RES ERA3YEB 202V (2K) [UK]
	7030007200	S.RES ERA3YEB 202V (2K) [DEN]
	7030007200	S.RES ERA3YEB 202V (2K) [SEA]
	7030007200	S.RES ERA3YEB 202V (2K) [OTH]
	7030007200	S.RES ERA3YEB 202V (2K) [USA-1]
	7030007200	S.RES ERA3YEB 202V (2K) [OTH-1]
	7030007200	S.RES ERA3YEB 202V (2K) [CHN]
	7030007220	S.RES ERA3YED 202V (2K) [USA-2]
	7030007220	S.RES ERA3YED 202V (2K) [OTH-2]
	7030007220	S.RES ERA3YED 202V (2K) [CHN-1]
R32	7030007200	S.RES ERA3YEB 202V (2K) [USA]
	7030007200	S.RES ERA3YEB 202V (2K) [EUR]
	7030007200	S.RES ERA3YEB 202V (2K) [AUS]
	7030007200	S.RES ERA3YEB 202V (2K) [UK]
	7030007200	S.RES ERA3YEB 202V (2K) [DEN]
	7030007200	S.RES ERA3YEB 202V (2K) [SEA]
	7030007200	S.RES ERA3YEB 202V (2K) [OTH]
	7030007200	S.RES ERA3YEB 202V (2K) [USA-1]
	7030007200	S.RES ERA3YEB 202V (2K) [OTH-1]
	7030007200	S.RES ERA3YEB 202V (2K) [CHN]
	7030007220	S.RES ERA3YED 202V (2K) [USA-2]
	7030007220	S.RES ERA3YED 202V (2K) [OTH-2]
	7030007220	S.RES ERA3YED 202V (2K) [CHN-1]
R33	7030007200	S.RES ERA3YEB 202V (2K) [USA]
	7030007200	S.RES ERA3YEB 202V (2K) [EUR]
	7030007200	S.RES ERA3YEB 202V (2K) [AUS]
	7030007200	S.RES ERA3YEB 202V (2K) [UK]
	7030007200	S.RES ERA3YEB 202V (2K) [DEN]
	7030007200	S.RES ERA3YEB 202V (2K) [SEA]
	7030007200	S.RES ERA3YEB 202V (2K) [OTH]
	7030007200	S.RES ERA3YEB 202V (2K) [USA-1]
	7030007200	S.RES ERA3YEB 202V (2K) [OTH-1]
	7030007200	S.RES ERA3YEB 202V (2K) [CHN]
	7030007220	S.RES ERA3YED 202V (2K) [USA-2]
	7030007220	S.RES ERA3YED 202V (2K) [OTH-2]
	7030007220	S.RES ERA3YED 202V (2K) [CHN-1]
R34	7030007200	S.RES ERA3YEB 202V (2K) [USA]
	7030007200	S.RES ERA3YEB 202V (2K) [EUR]
	7030007200	S.RES ERA3YEB 202V (2K) [AUS]
	7030007200	S.RES ERA3YEB 202V (2K) [UK]
	7030007200	S.RES ERA3YEB 202V (2K) [DEN]
	7030007200	S.RES ERA3YEB 202V (2K) [SEA]
	7030007200	S.RES ERA3YEB 202V (2K) [OTH]
	7030007200	S.RES ERA3YEB 202V (2K) [USA-1]
	7030007200	S.RES ERA3YEB 202V (2K) [OTH-1]
	7030007200	S.RES ERA3YEB 202V (2K) [CHN]
	7030007220	S.RES ERA3YED 202V (2K) [USA-2]
	7030007220	S.RES ERA3YED 202V (2K) [OTH-2]
	7030007220	S.RES ERA3YED 202V (2K) [CHN-1]

M.=Mounted side (T: Mounted on the Top side, B: Mounted on the Bottom side)
S.=Surface mount

[PLL UNIT]

REF NO.	ORDER NO.	DESCRIPTION
R216	7030007230	S.RES ERA3YED 102V (1K)
R217	7030007230	S.RES ERA3YED 102V (1K)
R218	7030007230	S.RES ERA3YED 102V (1K)
R219	7030007230	S.RES ERA3YED 102V (1K)
R220	7030007210	S.RES ERA3YEB 102V (1K)
R221	7030007210	S.RES ERA3YEB 102V (1K)
R222	7030007210	S.RES ERA3YEB 102V (1K)
R228	7030003430	S.RES ERJ3GEYJ 821 V (820)
R230	7030003440	S.RES ERJ3GEYJ 102 V (1K)
R231	7030003440	S.RES ERJ3GEYJ 102 V (1K)
R232	7030003440	S.RES ERJ3GEYJ 102 V (1K)
R233	7030003440	S.RES ERJ3GEYJ 102 V (1K)
R235	7030003440	S.RES ERJ3GEYJ 102 V (1K)
R237	7030003520	S.RES ERJ3GEYJ 472 V (4.7K)
W1	7030003860	S.RES ERJ3GE JPW V
W2	7030003860	S.RES ERJ3GE JPW V
W18	7030003860	S.RES ERJ3GE JPW V
W19	7030003860	S.RES ERJ3GE JPW V
W20	7030003860	S.RES ERJ3GE JPW V
WS1	8970023350	CBL RX2240 1.5D (4)/PL [EUR]
	8970023350	CBL RX2240 1.5D (4)/PL [AUS]
	8970023350	CBL RX2240 1.5D (4)/PL [UK]
	8970023350	CBL RX2240 1.5D (4)/PL [DEN]
	8970023350	CBL RX2240 1.5D (4)/PL [SEA]
	8970023350	CBL RX2240 1.5D (4)/PL [USA-2]
	8970023350	CBL RX2240 1.5D (4)/PL [OTH-2]
	8970023350	CBL RX2240 1.5D (4)/PL [CHN-1]
C1	4030008310	S.CER C1608 UJ 1H 390J-T
C3	4030006880	S.CER C1608 JB 1H 472K-T
C4	4030006880	S.CER C1608 JB 1H 472K-T
C5	4030007630	S.CER C1608 RH 1H 121J-T
C6	4030006880	S.CER C1608 JB 1H 472K-T
C7	4030006880	S.CER C1608 JB 1H 472K-T
C8	4030006880	S.CER C1608 JB 1H 472K-T
C9	4030007170	S.CER C1608 CH 1H 221J-T
C10	4030007030	S.CER C1608 CH 1H 150J-T
C11	4030006880	S.CER C1608 JB 1H 472K-T
C12	4030006910	S.CER C1608 CH 1H 0R5C-T
C13	4030007030	S.CER C1608 CH 1H 150J-T
C14	4030006880	S.CER C1608 JB 1H 472K-T
C15	4030006880	S.CER C1608 JB 1H 472K-T
C16	4030007610	S.CER C1608 RH 1H 820J-T
C21	4030006880	S.CER C1608 JB 1H 472K-T
C23	4030011600	S.CER C1608 JB 1E 104K-T
C24	4510008540	S.ELE EEE1CA100SR
C25	4030011600	S.CER C1608 JB 1E 104K-T
C26	4030011600	S.CER C1608 JB 1E 104K-T
C27	4030011600	S.CER C1608 JB 1E 104K-T
C28	4030011600	S.CER C1608 JB 1E 104K-T
C29	4030011600	S.CER C1608 JB 1E 104K-T
C30	4030011600	S.CER C1608 JB 1E 104K-T
C31	4030011600	S.CER C1608 JB 1E 104K-T
C32	4030011600	S.CER C1608 JB 1E 104K-T
C33	4030011600	S.CER C1608 JB 1E 104K-T
C34	4030011600	S.CER C1608 JB 1E 104K-T
C35	4030011600	S.CER C1608 JB 1E 104K-T
C36	4030011600	S.CER C1608 JB 1E 104K-T
C37	4030007070	S.CER C1608 CH 1H 330J-T
C38	4030007010	S.CER C1608 CH 1H 100D-T
C39	4030011540	S.CER C1608 CH 1H 750J-T
C40	4030006980	S.CER C1608 CH 1H 070D-T
C41	4030007120	S.CER C1608 CH 1H 820J-T
C42	4030006930	S.CER C1608 CH 1H 020C-T
C43	4030007100	S.CER C1608 CH 1H 560J-T
C44	4030007010	S.CER C1608 CH 1H 100D-T
C45	4030006860	S.CER C1608 JB 1H 102K-T
C46	4030006860	S.CER C1608 JB 1H 102K-T
C50	4030006880	S.CER C1608 JB 1H 472K-T
C51	4030011600	S.CER C1608 JB 1E 104K-T
C52	4030006880	S.CER C1608 JB 1H 472K-T
C53	4030006880	S.CER C1608 JB 1H 472K-T
C54	4030006880	S.CER C1608 JB 1H 472K-T
C55	4030006880	S.CER C1608 JB 1H 472K-T
C56	4030007110	S.CER C1608 CH 1H 680J-T
C57	4030007090	S.CER C1608 CH 1H 470J-T
C58	4030007100	S.CER C1608 CH 1H 560J-T
C59	4030011840	S.CER C1608 CH 1H 241J-T
C60	4030009580	S.CER C1608 JB 1H 681K-T
C71	4550006250	S.TAN TEESVA 1A 106M8R
C72	4030011600	S.CER C1608 JB 1E 104K-T
C73	4030006850	S.CER C1608 JB 1H 471K-T
C74	4510008540	S.ELE EEE1CA100SR
C75	4030007140	S.CER C1608 CH 1H 121J-T
C76	4610001830	S.TRI TZB4S100AB10R00(TZBX4N100BA110)
C77	4030007010	S.CER C1608 CH 1H 100D-T
C78	4030006880	S.CER C1608 JB 1H 472K-T
C79	4030009540	S.CER C1608 CH 1H 1R5B-T
C80	4030006880	S.CER C1608 JB 1H 472K-T
C81	4030006880	S.CER C1608 JB 1H 472K-T
C82	4030011600	S.CER C1608 JB 1E 104K-T
C83	4030006850	S.CER C1608 JB 1H 471K-T

[PLL UNIT]

REF NO.	ORDER NO.	DESCRIPTION
C84	4510008540	S.ELE EEE1CA100SR [USA]
	4510008540	S.ELE EEE1CA100SR [EUR]
	4510004630	S.ELE ECEV1CA100SR [AUS]
	4510008540	S.ELE EEE1CA100SR [UK]
	4510004630	S.ELE ECEV1CA100SR [DEN]
	4510008540	S.ELE EEE1CA100SR [SEA]
	4510008540	S.ELE EEE1CA100SR [OTH]
	4510008540	S.ELE EEE1CA100SR [USA-1]
	4510008540	S.ELE EEE1CA100SR [OTH-1]
	4510008540	S.ELE EEE1CA100SR [CHN]
	4510008540	S.ELE EEE1CA100SR [USA-2]
	4510008540	S.ELE EEE1CA100SR [OTH-2]
	4510008540	S.ELE EEE1CA100SR [CHN-1]
C85	4030006850	S.CER C1608 JB 1H 471K-T
C86	4610001830	S.TRI TZB4S100AB10R00(TZBX4N100BA110)
C87	4030006950	S.CER C1608 CH 1H 040C-T
C88	4030006880	S.CER C1608 JB 1H 472K-T
C89	4030009510	S.CER C1608 CH 1H 010B-T
C90	4030006880	S.CER C1608 JB 1H 472K-T
C91	4030006880	S.CER C1608 JB 1H 472K-T
C92	4030006880	S.CER C1608 JB 1H 472K-T
C93	4030006880	S.CER C1608 JB 1H 472K-T
C94	4030011600	S.CER C1608 JB 1E 104K-T
C95	4030006880	S.CER C1608 JB 1H 472K-T
C96	4030007080	S.CER C1608 CH 1H 390J-T
C97	4030006990	S.CER C1608 CH 1H 080D-T
C98	4030007090	S.CER C1608 CH 1H 470J-T
C99	4030006930	S.CER C1608 CH 1H 020C-T
C100	4030007080	S.CER C1608 CH 1H 390J-T
C101	4030006880	S.CER C1608 JB 1H 472K-T
C102	4030007020	S.CER C1608 CH 1H 120J-T
C103	4030006970	S.CER C1608 CH 1H 060D-T
C104	4030006880	S.CER C1608 JB 1H 472K-T
C105	4030006880	S.CER C1608 JB 1H 472K-T
C106	4510008500	S.ELE EEE1CA101WP
C107	4030006880	S.CER C1608 JB 1H 472K-T
C108	4030006880	S.CER C1608 JB 1H 472K-T
C110	4030006880	S.CER C1608 JB 1H 472K-T
C111	4030006880	S.CER C1608 JB 1H 472K-T
C112	4030006880	S.CER C1608 JB 1H 472K-T
C113	4030006880	S.CER C1608 JB 1H 472K-T
C114	4030006880	S.CER C1608 JB 1H 472K-T
C115	4030006880	S.CER C1608 JB 1H 472K-T
C116	4030011600	S.CER C1608 JB 1E 104K-T
C117	4030011600	S.CER C1608 JB 1E 104K-T
C118	4030006880	S.CER C1608 JB 1H 472K-T
C119	4510009270	S.ELE EEEHB1C220UR
C120	4030006850	S.CER C1608 JB 1H 471K-T
C121	4030011600	S.CER C1608 JB 1E 104K-T
C122	4030011600	S.CER C1608 JB 1E 104K-T
C123	4030011600	S.CER C1608 JB 1E 104K-T
C124	4030011600	S.CER C1608 JB 1E 104K-T
C125	4030007090	S.CER C1608 CH 1H 470J-T
C126	4550006250	S.TAN TEESVA 1A 106M8R
C127	4030011600	S.CER C1608 JB 1E 104K-T
C128	4030011600	S.CER C1608 JB 1E 104K-T
C151	4030006880	S.CER C1608 JB 1H 472K-T
C152	4030007040	S.CER C1608 CH 1H 180J-T
C153	4030006960	S.CER C1608 CH 1H 050C-T
C154	4030007070	S.CER C1608 CH 1H 330J-T
C155	4030006930	S.CER C1608 CH 1H 020C-T
C156	4030007040	S.CER C1608 CH 1H 180J-T
C157	4030006880	S.CER C1608 JB 1H 472K-T
C164	4030006880	S.CER C1608 JB 1H 472K-T
C165	4510008540	S.ELE EEE1CA100SR
C167	4030011600	S.CER C1608 JB 1E 104K-T
C201	4030006880	S.CER C1608 JB 1H 472K-T
C202	4030006850	S.CER C1608 JB 1H 471K-T
C203	4030007120	S.CER C1608 CH 1H 820J-T
C204	4030009490	S.CER C1608 JB 1H 821K-T
C205	4030007070	S.CER C1608 CH 1H 330J-T
C206	4030010040	S.CER C1608 JB 1H 561K-T
C207	4030006880	S.CER C1608 JB 1H 472K-T
C214	4030006880	S.CER C1608 JB 1H 472K-T
C215	4510008540	S.ELE EEE1CA100SR
C217	4030011600	S.CER C1608 JB 1E 104K-T
C305	4510008540	S.ELE EEE1CA100SR
C310	4030007090	S.CER C1608 CH 1H 470J-T
C311	4030007090	S.CER C1608 CH 1H 470J-T
C312	4030007090	S.CER C1608 CH 1H 470J-T
C313	4030007090	S.CER C1608 CH 1H 470J-T
C314	4030007090	S.CER C1608 CH 1H 470J-T
C315	4030007090	S.CER C1608 CH 1H 470J-T
C316	4030006860	S.CER C1608 JB 1H 102K-T
C317	4030006880	S.CER C1608 JB 1H 472K-T
C318	4030006880	S.CER C1608 JB 1H 472K-T
C319	4030006880	S.CER C1608 JB 1H 472K-T
C320	4030006850	S.CER C1608 JB 1H 471K-T
C321	4030006880	S.CER C1608 JB 1H 472K-T
C322	4030006880	S.CER C1608 JB 1H 472K-T
C323	4030006880	S.CER C1608 JB 1H 472K-T
C324	4030006880	S.CER C1608 JB 1H 472K-T
C325	4030007100	S.CER C1608 CH 1H 560J-T
C326	4030006880	S.CER C1608 JB 1H 472K-T
C327	4030006880	S.CER C1608 JB 1H 472K-T
C328	4030009500	S.CER C1608 CH 1H 0R5B-T
C329	4030006850	S.CER C1608 JB 1H 471K-T
C330	4030006880	S.CER C1608 JB 1H 472K-T
RL1	6330001320	REL AHY103
J2	6510019981	S.CON 52808-1671(1690)

M.=Mounted side (T: Mounted on the Top side, B: Mounted on the Bottom side)
S.=Surface mount

[DISPLAY UNIT]

REF NO.	ORDER NO.	DESCRIPTION
J3	6450000140	CON HSJ0807-01-010
J4	6450000140	CON HSJ0807-01-010
EP2	6910012350	S.BEA MMZ1608Y 102BT
EP3	6910012350	S.BEA MMZ1608Y 102BT
EP4	6910012350	S.BEA MMZ1608Y 102BT
EP5	6910012350	S.BEA MMZ1608Y 102BT
EP6	6910012350	S.BEA MMZ1608Y 102BT
EP7	6910012350	S.BEA MMZ1608Y 102BT
EP8	6910012350	S.BEA MMZ1608Y 102BT
EP9	6910012350	S.BEA MMZ1608Y 102BT
EP10	6910012350	S.BEA MMZ1608Y 102BT
EP11	6910012350	S.BEA MMZ1608Y 102BT
EP12	6910012350	S.BEA MMZ1608Y 102BT
EP13	6910012350	S.BEA MMZ1608Y 102BT
EP14	6910012350	S.BEA MMZ1608Y 102BT
IC101	1130013870	S.IC NJU6445FCI-#ZZZB
IC102	1130003831	S.IC TC7S04F(TE85R,F)
IC103	1130008511	S.IC TC7W53FU(TE12L,F)
Q11	1530002851	S.TRA 2SC4116-BL(TE85R,F)
Q21	1530002851	S.TRA 2SC4116-BL(TE85R,F)
Q31	1530002851	S.TRA 2SC4116-BL(TE85R,F)
Q41	1530002851	S.TRA 2SC4116-BL(TE85R,F)
Q51	1530002851	S.TRA 2SC4116-BL(TE85R,F)
Q61	1530002851	S.TRA 2SC4116-BL(TE85R,F)
Q71	1530002851	S.TRA 2SC4116-BL(TE85R,F)
Q81	1530002851	S.TRA 2SC4116-BL(TE85R,F)
R11	7030000320	S.RES MCR10EZJH 330 (331)
R12	7030000360	S.RES ERJ3GEYJ 221 V (220)
R21	7030000320	S.RES MCR10EZJH 330 (331)
R22	7030000360	S.RES ERJ3GEYJ 221 V (220)
R31	7030000320	S.RES MCR10EZJH 330 (331)
R32	7030000360	S.RES ERJ3GEYJ 221 V (220)
R41	7030000320	S.RES MCR10EZJH 330 (331)
R42	7030000360	S.RES ERJ3GEYJ 221 V (220)
R51	7030000320	S.RES MCR10EZJH 330 (331)
R52	7030000360	S.RES ERJ3GEYJ 221 V (220)
R61	7030000320	S.RES MCR10EZJH 330 (331)
R62	7030000360	S.RES ERJ3GEYJ 221 V (220)
R71	7030000320	S.RES MCR10EZJH 330 (331)
R72	7030000360	S.RES ERJ3GEYJ 221 V (220)
R81	7030000320	S.RES MCR10EZJH 330 (331)
R82	7030000360	S.RES ERJ3GEYJ 221 V (220)
C101	4030008630	S.CER C1608 JF 1H 104Z-T
C103	4030008630	S.CER C1608 JF 1H 104Z-T
C104	4030008630	S.CER C1608 JF 1H 104Z-T
C105	4030008630	S.CER C1608 JF 1H 104Z-T
C106	4030008630	S.CER C1608 JF 1H 104Z-T
J101	6510019981	S.CON 52808-1671(1690)
DS11	5040002940	S.LED TLYU1002A(T02)
DS12	5040002940	S.LED TLYU1002A(T02)
DS13	5040002940	S.LED TLYU1002A(T02)
DS21	5040002940	S.LED TLYU1002A(T02)
DS22	5040002940	S.LED TLYU1002A(T02)
DS23	5040002940	S.LED TLYU1002A(T02)
DS31	5040002940	S.LED TLYU1002A(T02)
DS32	5040002940	S.LED TLYU1002A(T02)
DS33	5040002940	S.LED TLYU1002A(T02)
DS41	5040002940	S.LED TLYU1002A(T02)
DS42	5040002940	S.LED TLYU1002A(T02)
DS43	5040002940	S.LED TLYU1002A(T02)
DS51	5040002940	S.LED TLYU1002A(T02)
DS52	5040002940	S.LED TLYU1002A(T02)
DS53	5040002940	S.LED TLYU1002A(T02)
DS61	5040002940	S.LED TLYU1002A(T02)
DS62	5040002940	S.LED TLYU1002A(T02)
DS63	5040002940	S.LED TLYU1002A(T02)
DS71	5040002940	S.LED TLYU1002A(T02)
DS72	5040002940	S.LED TLYU1002A(T02)
DS73	5040002940	S.LED TLYU1002A(T02)
DS81	5040002940	S.LED TLYU1002A(T02)
DS82	5040002940	S.LED TLYU1002A(T02)
DS83	5040002940	S.LED TLYU1002A(T02)
DS101	5030001690	LCD HLC7395-012400
EP2	8930049631	LCD SRCN-2240-SP-N-W-1 (SHJ)

[MAIN-A UNIT] (For [USA-2], [OTH-2], [CHN-1])

REF NO.	ORDER NO.	DESCRIPTION
IC551	1130011760	S.IC CD4094BPWR
IC552	1130011760	S.IC CD4094BPWR
IC561	1160000132	S.IC TD62783AFG(O)
IC562	1160000132	S.IC TD62783AFG(O)
IC731	1110003141	IC LA1150N-E
IC811	1110002601	S.IC MC1496DR2G
IC1001	1110007320	S.IC NJM2591V-TE1-#ZZZB
IC1101	1110002601	S.IC MC1496DR2G
IC1201	1130009100	S.IC BU4052BCFV-E2
IC1211	1110003870	S.IC NJM2058M-TE1-#ZZZB
IC1251	1110003300	S.IC M5282FP 70CD
IC1281	1130009100	S.IC BU4052BCFV-E2
IC1291	1110003091	IC LA4425A-E
IC1361	1180000970	S.IC AN78L05M-(E1)
IC1371	1180001531	IC PQ30RV31J00H
IC1391	1180001252	S.IC TA7808F(TE16L1,NQ)
IC1401	1180001072	S.IC TA7805F(TE16L1,NQ)
IC1411	1110001401	S.IC UPC1555G2-E1-A
IC1601	1130011760	S.IC CD4094BPWR
IC1602	1130011760	S.IC CD4094BPWR
IC1603	1160000132	S.IC TD62783AFG(O)
IC1751	1120002510	S.IC DS14C232TM S
IC1771	1130005721	S.IC TC7W04F(TE12L,F)
Q151	1590000680	S.TRA DTC114EUA T106
Q381	1560000721	S.FET 2SK2171-4-TD-E
Q382	1560000721	S.FET 2SK2171-4-TD-E
Q383	1590001960	S.TRA XP4311(TX)
Q391	1590001960	S.TRA XP4311(TX)
Q392	1530004180	S.TRA 2SC3356 R25 YS
Q411	1530003151	S.TRA 2SC4673D-TD-E
Q441	1560000641	S.FET 2SK1740-4/5-TB-E
Q442	1560000641	S.FET 2SK1740-4/5-TB-E
Q471	1580000620	S.FET 3SK131-T2 MAS
Q472	1590001960	S.TRA XP4311(TX)
Q721	1580000620	S.FET 3SK131-T2 MAS
Q731	1560000561	S.FET 2SK882-GR(TE85L,F)
Q732	1510000510	S.TRA 2SA1576A T106R
Q733	1530002060	S.TRA 2SC4081 T106 R
Q734	1530002060	S.TRA 2SC4081 T106 R
Q735	1530002060	S.TRA 2SC4081 T106 R
Q736	1590000680	S.TRA DTC114EUA T106
Q737	1590001960	S.TRA XP4311(TX)
Q801	1530002060	S.TRA 2SC4081 T106 R
Q891	1580000620	S.FET 3SK131-T2 MAS
Q911	1560000561	S.FET 2SK882-GR(TE85L,F)
Q912	1530002060	S.TRA 2SC4081 T106 R
Q1001	1560000561	S.FET 2SK882-GR(TE85L,F)
Q1031	1530002060	S.TRA 2SC4081 T106 R
Q1051	1530002060	S.TRA 2SC4081 T106 R
Q1061	1590001960	S.TRA XP4311(TX)
Q1063	1530002060	S.TRA 2SC4081 T106 R
Q1064	1590001960	S.TRA XP4311(TX)
Q1065	1590001960	S.TRA XP4311(TX)
Q1066	1590001960	S.TRA XP4311(TX)
Q1311	1530002060	S.TRA 2SC4081 T106 R
Q1381	1540000550	S.TRA 2SD1664 T100Q
Q1382	1590000680	S.TRA DTC114EUA T106
Q1771	1510000510	S.TRA 2SA1576A T106R
Q1772	1530002060	S.TRA 2SC4081 T106 R
D121	1790000620	S.DIO MA77(TX)
D141	1750000461	S.DIO 1SV246-TL-E
D142	1750000461	S.DIO 1SV246-TL-E
D143	1790000620	S.DIO MA77(TX)
D151	1750000971	S.DIO CPH5513-TL-E
D172	1790000620	S.DIO MA77(TX)
D181	1750000971	S.DIO CPH5513-TL-E
D182	1790000620	S.DIO MA77(TX)
D202	1790000620	S.DIO MA77(TX)
D221	1750000971	S.DIO CPH5513-TL-E
D222	1790000620	S.DIO MA77(TX)
D242	1790000620	S.DIO MA77(TX)
D261	1750000971	S.DIO CPH5513-TL-E
D262	1790000620	S.DIO MA77(TX)
D282	1790000620	S.DIO MA77(TX)
D301	1750000971	S.DIO CPH5513-TL-E
D302	1790000620	S.DIO MA77(TX)
D322	1790000620	S.DIO MA77(TX)
D341	1750000441	S.DIO 1SV263-TL-E
D342	1790000620	S.DIO MA77(TX)
D371	1790000620	S.DIO MA77(TX)
D372	1790000620	S.DIO MA77(TX)
D381	1790000620	S.DIO MA77(TX)
D382	1790000620	S.DIO MA77(TX)
D391	1790000620	S.DIO MA77(TX)
D392	1790000620	S.DIO MA77(TX)
D491	1750000431	S.DIO HSB88WSTR-E
D711	1790000620	S.DIO MA77(TX)
D712	1790000620	S.DIO MA77(TX)
D713	1790000620	S.DIO MA77(TX)
D714	1790000620	S.DIO MA77(TX)
D731	1790001211	S.DIO 1SS375-TL-E
D732	1750000550	S.DIO 1SS355 TE-17
D761	1790000620	S.DIO MA77(TX)
D762	1790000620	S.DIO MA77(TX)
D763	1790000620	S.DIO MA77(TX)
D764	1790000620	S.DIO MA77(TX)
D771	1790000620	S.DIO MA77(TX)
D772	1790000620	S.DIO MA77(TX)
D773	1790000620	S.DIO MA77(TX)
D774	1790000620	S.DIO MA77(TX)

M.=Mounted side (T: Mounted on the Top side, B: Mounted on the Bottom side)
S.=Surface mount

[MAIN-A UNIT] (For [USA-2], [OTH-2], [CHN-1])

REF NO.	ORDER NO.	DESCRIPTION
D781	1790000620	S.DIO MA77(TX)
D782	1790000620	S.DIO MA77(TX)
D783	1790000620	S.DIO MA77(TX)
D784	1790000620	S.DIO MA77(TX)
D831	1750000301	S.DIO 1SS302(TE85R,F)
D851	1790000620	S.DIO MA77(TX)
D852	1790000620	S.DIO MA77(TX)
D861	1790000620	S.DIO MA77(TX)
D862	1790000620	S.DIO MA77(TX)
D871	1790000620	S.DIO MA77(TX)
D872	1790000620	S.DIO MA77(TX)
D881	1790000620	S.DIO MA77(TX)
D882	1790000620	S.DIO MA77(TX)
D1041	1790001211	S.DIO 1SS375-TL-E
D1051	1790001211	S.DIO 1SS375-TL-E
D1061	1790001211	S.DIO 1SS375-TL-E
D1311	1750000550	S.DIO 1SS355 TE-17
D1351	1790000700	DIO DSA3A1
D1371	1750000550	S.DIO 1SS355 TE-17
D1381	1750000301	S.DIO 1SS302(TE85R,F)
D1412	1750000301	S.DIO 1SS302(TE85R,F)
D1413	1730002830	S.ZEN DZJ051M
D1771	1750000550	S.DIO 1SS355 TE-17
FI461	2010002090	FIL UM-5 69.0115 MHz (FL-261)
FI701	2010000270	FIL 9M15A (FL-23)
FI761	2010002130	DF 9M22D4 9.0115 MHz (FL-272)
FI851	2020000210	CER CFJ455K5 (FL-65)
FI861	2020002510	CER LTW4450HT <JJE>
FI871	2020002250	CER LT450EW <JJE>
X1001	6070000300	S.DIS JTBM450CX24 <JJE>
L101	6140002070	COI LR-233
L131	6200003431	S.COI NLV32T-R10J
L132	6200003421	S.COI NLV32T-R15J
L151	6200005491	S.COI NLV32T-331J
L161	6200005491	S.COI NLV32T-331J
L162	6180003550	COI SP0406-4R7K-6
L163	6180003560	COI SP0406-5R6K-6
L171	6200005491	S.COI NLV32T-331J
L172	6200002961	S.COI NLV32T-4R7J
L173	6200003111	S.COI NLV32T-6R8J
L181	6200005491	S.COI NLV32T-331J
L182	6200003091	S.COI NLV32T-2R7J
L183	6200003101	S.COI NLV32T-3R9J
L184	6200005491	S.COI NLV32T-331J
L201	6200005491	S.COI NLV32T-331J
L202	6200002991	S.COI NLV32T-2R2J
L203	6200002991	S.COI NLV32T-2R2J
L204	6200003321	S.COI NLV32T-3R3J
L205	6200002961	S.COI NLV32T-4R7J
L221	6200003241	S.COI NLV32T-221J
L222	6200003081	S.COI NLV32T-1R8J
L223	6200003061	S.COI NLV32T-1R2J
L224	6200003071	S.COI NLV32T-1R5J
L225	6200003071	S.COI NLV32T-1R5J
L241	6200003241	S.COI NLV32T-221J
L242	6200003061	S.COI NLV32T-1R2J
L243	6200003331	S.COI NLV32T-1R0J
L244	6200003331	S.COI NLV32T-1R0J
L245	6200003081	S.COI NLV32T-1R8J
L261	6200003241	S.COI NLV32T-221J
L262	6200003251	S.COI NLV32T-R39J
L263	6200002981	S.COI NLV32T-R56J
L264	6200003041	S.COI NLV32T-R68J
L265	6200003331	S.COI NLV32T-1R0J
L281	6200001831	S.COI NLV32T-100J
L282	6200003021	S.COI NLV32T-R33J
L283	6200003251	S.COI NLV32T-R39J
L284	6200003031	S.COI NLV32T-R47J
L285	6200003031	S.COI NLV32T-R47J
L301	6200001831	S.COI NLV32T-100J
L302	6200003021	S.COI NLV32T-R33J
L303	6200003011	S.COI NLV32T-R27J
L304	6200003021	S.COI NLV32T-R33J
L305	6200003031	S.COI NLV32T-R47J
L321	6200001831	S.COI NLV32T-100J
L322	6200003001	S.COI NLV32T-R22J
L323	6200003421	S.COI NLV32T-R15J
L324	6180002961	S.COI NLV32T-R18J
L325	6200003001	S.COI NLV32T-R22J
L326	6200003001	S.COI NLV32T-R22J
L341	6200001831	S.COI NLV32T-100J
L342	6200001471	S.COI NLV32T-R12J
L343	6200003421	S.COI NLV32T-R15J
L345	6200003421	S.COI NLV32T-R15J
L346	6200001471	S.COI NLV32T-R12J
L361	6200005491	S.COI NLV32T-331J
L362	6200005491	S.COI NLV32T-331J
L371	6200003241	S.COI NLV32T-221J
L381	6140000640	COI LR-86
L382	6200003071	S.COI NLV32T-1R5J
L383	6140003530	COI LR-395
L384	6200005491	S.COI NLV32T-331J
L385	6170000291	COI LW-30-LF
L391	6200003241	S.COI NLV32T-221J
L392	6140004760	S.COI LR-536 4KBL-S090150
L393	6140004760	S.COI LR-536 4KBL-S090150
L394	6180003760	COI SP0406-102J-PF
L395	6200002041	S.COI NLV25T-101J

[MAIN-A UNIT] (For [USA-2], [OTH-2], [CHN-1])

REF NO.	ORDER NO.	DESCRIPTION
L396	6200003241	S.COI NLV32T-221J
L401	6200005491	S.COI NLV32T-331J
L411	6200003001	S.COI NLV32T-R22J
L412	6200003021	S.COI NLV32T-R33J
L413	6200001831	S.COI NLV32T-100J
L421	6200003431	S.COI NLV32T-R10J
L422	6200003421	S.COI NLV32T-R15J
L431	6200003431	S.COI NLV32T-R10J
L432	6200003421	S.COI NLV32T-R15J
L441	6140003530	COI LR-395
L442	6200003431	S.COI NLV32T-R10J
L443	6150004270	COI LS-483A (C-14924)
L444	6200001831	S.COI NLV32T-100J
L461	6150004270	COI LS-483A (C-14924)
L462	6150004270	COI LS-483A (C-14924)
L471	6150004280	COI LS-484B (C-14927)
L491	6140002810	S.COI LR-317
L492	6140002810	S.COI LR-317
L701	6150000711	COI LS-452
L711	6150000711	COI LS-452
L712	6150000711	COI LS-452
L721	6200001831	S.COI NLV32T-100J
L731	6150004050	COI LS-466
L732	6150004050	COI LS-466
L733	6200003241	S.COI NLV32T-221J
L891	6150002291	COI LS-450
L892	6150002291	COI LS-450
L911	6150002291	COI LS-450
L1001	6200003241	S.COI NLV32T-221J
L1291	6180003641	COI SZW1012T-142-0.3-1
L1311	6200003241	S.COI NLV32T-221J
L1411	6200003241	S.COI NLV32T-221J
L1412	6200005491	S.COI NLV32T-331J
L1771	6200003241	S.COI NLV32T-221J
R101	7030003640	S.RES ERJ3GEYJ 473 V (47K)
R102	7540000090	ABS DSP-201M-S00B
R111	7030003640	S.RES ERJ3GEYJ 473 V (47K)
R112	7540000090	ABS DSP-201M-S00B
R121	7030003360	S.RES ERJ3GEYJ 221 V (220)
R141	7030003480	S.RES ERJ3GEYJ 222 V (2.2K)
R142	7030003400	S.RES ERJ3GEYJ 471 V (470)
R143	7030003380	S.RES ERJ3GEYJ 331 V (330)
R144	7030003300	S.RES ERJ3GEYJ 680 V (68)
R145	7030003360	S.RES ERJ3GEYJ 221 V (220)
R151	7030006260	S.RES ERJ12YJ471U (470)
R152	7030003560	S.RES ERJ3GEYJ 103 V (10K)
R171	7030003370	S.RES ERJ3GEYJ 271 V (270)
R172	7030003230	S.RES ERJ3GEYJ 180 V (18)
R173	7030003370	S.RES ERJ3GEYJ 271 V (270)
R174	7030003200	S.RES ERJ3GEYJ 100 V (10)
R181	7030003320	S.RES ERJ3GEYJ 101 V (100)
R201	7030003320	S.RES ERJ3GEYJ 101 V (100)
R221	7030003320	S.RES ERJ3GEYJ 101 V (100)
R241	7030003320	S.RES ERJ3GEYJ 101 V (100)
R261	7030003320	S.RES ERJ3GEYJ 101 V (100)
R281	7030003320	S.RES ERJ3GEYJ 101 V (100)
R301	7030003320	S.RES ERJ3GEYJ 101 V (100)
R321	7030003320	S.RES ERJ3GEYJ 101 V (100)
R341	7030003320	S.RES ERJ3GEYJ 101 V (100)
R361	7030006260	S.RES ERJ12YJ471U (470)
R362	7030006260	S.RES ERJ12YJ471U (470)
R371	7030003320	S.RES ERJ3GEYJ 101 V (100)
R372	7030003320	S.RES ERJ3GEYJ 101 V (100)
R381	7030003320	S.RES ERJ3GEYJ 101 V (100)
R382	7030003280	S.RES ERJ3GEYJ 470 V (47)
R383	7030003280	S.RES ERJ3GEYJ 470 V (47)
R384	7030003320	S.RES ERJ3GEYJ 101 V (100)
R385	7030003320	S.RES ERJ3GEYJ 101 V (100)
R386	7030003320	S.RES ERJ3GEYJ 101 V (100)
R391	7030003320	S.RES ERJ3GEYJ 101 V (100)
R392	7030003490	S.RES ERJ3GEYJ 272 V (2.7K)
R393	7030003460	S.RES ERJ3GEYJ 152 V (1.5K)
R394	7030003280	S.RES ERJ3GEYJ 470 V (47)
R395	7030003320	S.RES ERJ3GEYJ 101 V (100)
R396	7030003280	S.RES ERJ3GEYJ 470 V (47)
R401	7030006260	S.RES ERJ12YJ471U (470)
R411	7030003300	S.RES ERJ3GEYJ 680 V (68)
R412	7030003520	S.RES ERJ3GEYJ 472 V (4.7K)
R413	7030003410	S.RES ERJ3GEYJ 561 V (560)
R414	7030003200	S.RES ERJ3GEYJ 100 V (10)
R415	7030003280	S.RES ERJ3GEYJ 470 V (47)
R419	7030000010	S.RES MCR10EZHZ JPW (000)
R442	7030003410	S.RES ERJ3GEYJ 561 V (560)
R443	7030003410	S.RES ERJ3GEYJ 561 V (560)
R444	7310005580	S.TRI TMC3ADCS3X (4.7K)
R445	7030003280	S.RES ERJ3GEYJ 470 V (47)
R446	7030003560	S.RES ERJ3GEYJ 103 V (10K)
R447	7030003280	S.RES ERJ3GEYJ 470 V (47)
R448	7030003400	S.RES ERJ3GEYJ 471 V (470)
R449	7030003320	S.RES ERJ3GEYJ 101 V (100)
R471	7030003760	S.RES ERJ3GEYJ 474 V (470K)
R472	7030003280	S.RES ERJ3GEYJ 470 V (47)
R473	7030003200	S.RES ERJ3GEYJ 100 V (10)
R474	7030003520	S.RES ERJ3GEYJ 472 V (4.7K)
R475	7030003580	S.RES ERJ3GEYJ 153 V (15K)
R476	7030003480	S.RES ERJ3GEYJ 222 V (2.2K)
R477	7030003340	S.RES ERJ3GEYJ 151 V (150)
R478	7030003480	S.RES ERJ3GEYJ 222 V (2.2K)
R479	7030003280	S.RES ERJ3GEYJ 470 V (47)
R480	7030000010	S.RES MCR10EZHZ JPW (000)
R491	7030003370	S.RES ERJ3GEYJ 271 V (270)
R492	7030003230	S.RES ERJ3GEYJ 180 V (18)

M.=Mounted side (T: Mounted on the Top side, B: Mounted on the Bottom side)
S.=Surface mount

[MAIN-A UNIT] (For [USA-2], [OTH-2], [CHN-1])

REF NO.	ORDER NO.	DESCRIPTION
C734	4030011600	S.CER C1608 JB 1E 104K-T
C735	4030006880	S.CER C1608 JB 1H 472K-T
C736	4030006880	S.CER C1608 JB 1H 472K-T
C737	4030011600	S.CER C1608 JB 1E 104K-T
C738	4030007150	S.CER C1608 CH 1H 151J-T
C739	4510009270	S.ELE EEEHB1C220UR
C740	4030007050	S.CER C1608 CH 1H 220J-T
C741	4510008520	S.ELE EEE1CA470SP
C742	4030011600	S.CER C1608 JB 1E 104K-T
C743	4510008540	S.ELE EEE1CA100SR
C761	4030011600	S.CER C1608 JB 1E 104K-T
C762	4030011600	S.CER C1608 JB 1E 104K-T
C771	4030011600	S.CER C1608 JB 1E 104K-T
C772	4030011600	S.CER C1608 JB 1E 104K-T
C773	4030007030	S.CER C1608 CH 1H 150J-T
C781	4030011600	S.CER C1608 JB 1E 104K-T
C782	4030011600	S.CER C1608 JB 1E 104K-T
C791	4030011600	S.CER C1608 JB 1E 104K-T
C792	4030011600	S.CER C1608 JB 1E 104K-T
C801	4030011600	S.CER C1608 JB 1E 104K-T
C811	4030006880	S.CER C1608 JB 1H 472K-T
C813	4030011600	S.CER C1608 JB 1E 104K-T
C814	4030011600	S.CER C1608 JB 1E 104K-T
C816	4030006880	S.CER C1608 JB 1H 472K-T
C818	4030011600	S.CER C1608 JB 1E 104K-T
C831	4030008650	S.CER C1608 JB 1H 332K-T
C841	4030006880	S.CER C1608 JB 1H 472K-T
C851	4030011600	S.CER C1608 JB 1E 104K-T
C852	4030011600	S.CER C1608 JB 1E 104K-T
C861	4030011600	S.CER C1608 JB 1E 104K-T
C862	4030011600	S.CER C1608 JB 1E 104K-T
C871	4030011600	S.CER C1608 JB 1E 104K-T
C872	4030011600	S.CER C1608 JB 1E 104K-T
C881	4030011600	S.CER C1608 JB 1E 104K-T
C882	4030011600	S.CER C1608 JB 1E 104K-T
C891	4030011600	S.CER C1608 JB 1E 104K-T
C892	4030006880	S.CER C1608 JB 1H 472K-T
C893	4030006880	S.CER C1608 JB 1H 472K-T
C894	4030011600	S.CER C1608 JB 1E 104K-T
C895	4030007050	S.CER C1608 CH 1H 220J-T
C896	4030011600	S.CER C1608 JB 1E 104K-T
C897	4030006880	S.CER C1608 JB 1H 472K-T
C911	4030011600	S.CER C1608 JB 1E 104K-T
C912	4030007170	S.CER C1608 CH 1H 221J-T
C913	4030011600	S.CER C1608 JB 1E 104K-T
C914	4510008530	S.ELE EEE1HA2R2SR
C1001	4030011600	S.CER C1608 JB 1E 104K-T
C1002	4030006880	S.CER C1608 JB 1H 472K-T
C1003	4030011600	S.CER C1608 JB 1E 104K-T
C1004	4030007170	S.CER C1608 CH 1H 221J-T
C1005	4030007170	S.CER C1608 CH 1H 221J-T
C1006	4030006880	S.CER C1608 JB 1H 472K-T
C1007	4030007130	S.CER C1608 CH 1H 101J-T
C1008	4510008540	S.ELE EEE1CA100SR
C1009	4030011600	S.CER C1608 JB 1E 104K-T
C1010	4030011600	S.CER C1608 JB 1E 104K-T
C1021	4030011600	S.CER C1608 JB 1E 104K-T
C1022	4030008880	S.CER C1608 JB 1H 223K-T
C1023	4030009880	S.CER C1608 JB 1H 682K-T
C1024	4030011600	S.CER C1608 JB 1E 104K-T
C1031	4030011600	S.CER C1608 JB 1E 104K-T
C1041	4030006880	S.CER C1608 JB 1H 472K-T
C1042	4030006880	S.CER C1608 JB 1H 472K-T
C1043	4030006880	S.CER C1608 JB 1H 472K-T
C1044	4030011600	S.CER C1608 JB 1E 104K-T
C1051	4510008540	S.ELE EEE1CA100SR
C1061	4030006880	S.CER C1608 JB 1H 472K-T
C1062	4030007130	S.CER C1608 CH 1H 101J-T
C1063	4510008540	S.ELE EEE1CA100SR
C1064	4030011600	S.CER C1608 JB 1E 104K-T
C1065	4510008540	S.ELE EEE1CA100SR
C1066	4510008530	S.ELE EEE1HA2R2SR
C1067	4510009270	S.ELE EEEHB1C220UR
C1081	4030006880	S.CER C1608 JB 1H 472K-T
C1085	4030006880	S.CER C1608 JB 1H 472K-T
C1089	4030006880	S.CER C1608 JB 1H 472K-T
C1090	4030011600	S.CER C1608 JB 1E 104K-T
C1101	4030011600	S.CER C1608 JB 1E 104K-T
C1102	4030011600	S.CER C1608 JB 1E 104K-T
C1103	4030011600	S.CER C1608 JB 1E 104K-T
C1201	4030006900	S.CER C1608 JB 1H 103K-T
C1202	4030006900	S.CER C1608 JB 1H 103K-T
C1211	4030010020	S.CER C1608 JB 1H 122K-T
C1212	4030006860	S.CER C1608 JB 1H 102K-T
C1213	4030008650	S.CER C1608 JB 1H 332K-T
C1214	4030006850	S.CER C1608 JB 1H 471K-T
C1215	4030011600	S.CER C1608 JB 1E 104K-T
C1216	4030011600	S.CER C1608 JB 1E 104K-T
C1217	4030011600	S.CER C1608 JB 1E 104K-T
C1231	4030006880	S.CER C1608 JB 1H 472K-T
C1251	4030011600	S.CER C1608 JB 1E 104K-T
C1253	4030010760	S.CER C1608 CH 1H 331J-T
C1254	4510008530	S.ELE EEE1HA2R2SR
C1255	4030006900	S.CER C1608 JB 1H 103K-T
C1256	4030011600	S.CER C1608 JB 1E 104K-T
C1257	4510008540	S.ELE EEE1CA100SR
C1258	4510008540	S.ELE EEE1CA100SR
C1259	4510008540	S.ELE EEE1CA100SR
C1260	4510008540	S.ELE EEE1CA100SR
C1261	4510008540	S.ELE EEE1CA100SR
C1262	4510008530	S.ELE EEE1HA2R2SR
C1271	4030006880	S.CER C1608 JB 1H 472K-T
C1272	4030011600	S.CER C1608 JB 1E 104K-T
C1281	4030006900	S.CER C1608 JB 1H 103K-T

[MAIN-A UNIT] (For [USA-2], [OTH-2], [CHN-1])

REF NO.	ORDER NO.	DESCRIPTION
C1282	4030006900	S.CER C1608 JB 1H 103K-T
C1292	4510008540	S.ELE EEE1CA100SR
C1293	4030011600	S.CER C1608 JB 1E 104K-T
C1294	4030011600	S.CER C1608 JB 1E 104K-T
C1295	4510004591	ELE 16 ME 470 HC
C1296	4510004591	ELE 16 ME 470 HC
C1311	4030006900	S.CER C1608 JB 1H 103K-T
C1312	4030006900	S.CER C1608 JB 1H 103K-T
C1321	4030006900	S.CER C1608 JB 1H 103K-T
C1322	4030006860	S.CER C1608 JB 1H 102K-T
C1351	4030006900	S.CER C1608 JB 1H 103K-T
C1352	4030006900	S.CER C1608 JB 1H 103K-T
C1353	4510004510	ELE 25 ME 470 HC
C1361	4510008530	S.ELE EEE1HA2R2SR
C1362	4030011600	S.CER C1608 JB 1E 104K-T
C1363	4030011600	S.CER C1608 JB 1E 104K-T
C1364	4030011600	S.CER C1608 JB 1E 104K-T
C1365	4510008540	S.ELE EEE1CA100SR
C1371	4510008530	S.ELE EEE1HA2R2SR
C1372	4030011600	S.CER C1608 JB 1E 104K-T
C1373	4030011600	S.CER C1608 JB 1E 104K-T
C1374	4030011600	S.CER C1608 JB 1E 104K-T
C1375	4510004591	ELE 16 ME 470 HC
C1376	4030019180	S.CER TMK212B105KG-T
C1381	4030011600	S.CER C1608 JB 1E 104K-T
C1382	4030011600	S.CER C1608 JB 1E 104K-T
C1391	4510004591	ELE 16 ME 470 HC
C1392	4030011600	S.CER C1608 JB 1E 104K-T
C1393	4030011600	S.CER C1608 JB 1E 104K-T
C1394	4510008540	S.ELE EEE1CA100SR
C1401	4510008540	S.ELE EEE1CA100SR
C1402	4030011600	S.CER C1608 JB 1E 104K-T
C1403	4030011600	S.CER C1608 JB 1E 104K-T
C1404	4510008540	S.ELE EEE1CA100SR
C1411	4030011600	S.CER C1608 JB 1E 104K-T
C1412	4510008520	S.ELE EEE1CA470SP
C1413	4030011600	S.CER C1608 JB 1E 104K-T
C1414	4510009270	S.ELE EEEHB1C220UR
C1415	4030006860	S.CER C1608 JB 1H 102K-T
C1416	4030006900	S.CER C1608 JB 1H 103K-T
C1417	4510008520	S.ELE EEE1CA470SP
C1418	4510008520	S.ELE EEE1CA470SP
C1419	4030011600	S.CER C1608 JB 1E 104K-T
C1420	4510008540	S.ELE EEE1CA100SR
C1421	4030011600	S.CER C1608 JB 1E 104K-T
C1422	4510008520	S.ELE EEE1CA470SP
C1502	4030006880	S.CER C1608 JB 1H 472K-T
C1521	4030006880	S.CER C1608 JB 1H 472K-T
C1601	4030011600	S.CER C1608 JB 1E 104K-T
C1602	4030011600	S.CER C1608 JB 1E 104K-T
C1603	4030011600	S.CER C1608 JB 1E 104K-T
C1751	4510008540	S.ELE EEE1CA100SR
C1752	4510008540	S.ELE EEE1CA100SR
C1753	4510008540	S.ELE EEE1CA100SR
C1754	4510008540	S.ELE EEE1CA100SR
C1755	4510008540	S.ELE EEE1CA100SR
C1756	4030011600	S.CER C1608 JB 1E 104K-T
C1771	4030011600	S.CER C1608 JB 1E 104K-T
RL121	6330001721	REL ATN207-K1
RL141	6330001721	REL ATN207-K1
CP731	6910009670	S.CHE HK3-S-T
WS1	8600036540	CBL RX2240 P1241*J1241MA
J101	6510021460	CON PT-C02P01
J111	6510007020	CON TMP-J01X-V6
J411	6510007020	CON TMP-J01X-V6
J491	6510007020	CON TMP-J01X-V6
J781	6450001560	CON PD-72
J782	6450001560	CON PD-72
J783	6450001560	CON PD-72
J784	6450001560	CON PD-72
J811	6510007020	CON TMP-J01X-V6
J881	6450001560	CON PD-72
J882	6450001560	CON PD-72
J883	6450001560	CON PD-72
J884	6450001560	CON PD-72
J1081	6510007020	CON TMP-J01X-V6
J1221	6510018971	S.CON B4B-PH-SM4-TB(LF)(SN)
J1231	6510019971	S.CON 52808-1071
J1271	6510019191	S.CON 52365-0871
J1311	6450001800	CON JPJ1044-01-010
J1321	6450000140	CON HSJ0807-01-010
J1351	6510023650	CON HEC0740-010618
J1501	6510019981	S.CON 52808-1671(1690)
J1521	6510019981	S.CON 52808-1671(1690)
J1522	6510021861	CON BH-800.4GG <LTC>
J1541	6510019981	S.CON 52808-1671(1690)
J1561	6510019981	S.CON 52808-1671(1690)
J1701	6450000140	CON HSJ0807-01-010
J1751	6510021241	CON DELC-J9SAF-23L9E
F1351	5210000051	FUS FGB 3A PBF (FGB0 125V)
F1352	5220000230	HOL S-N5054 #01
F1353	5220000230	HOL S-N5054 #01

M.=Mounted side (T: Mounted on the Top side, B: Mounted on the Bottom side)
S.=Surface mount

[MAIN-A UNIT] (For [USA-2], [OTH-2], [CHN-1])

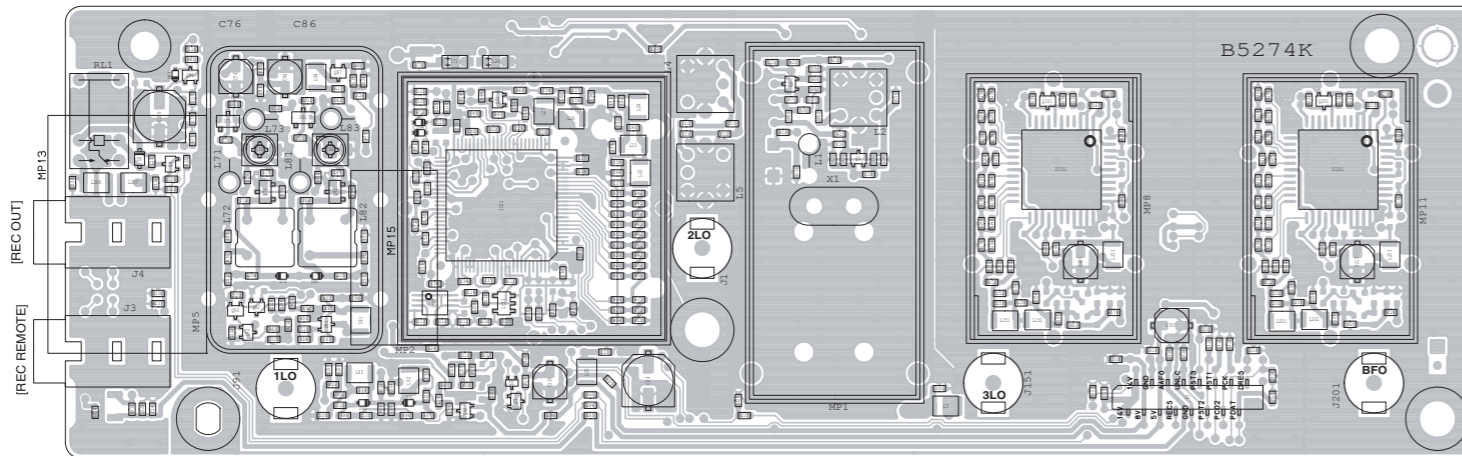
REF NO.	ORDER NO.	DESCRIPTION
BT1521	3020000110	LIT CR-2032L/BK
EP1321	6910014690	S.BEA MPZ1608S221A-T
EP1322	6910014690	S.BEA MPZ1608S221A-T

M.=Mounted side (T: Mounted on the Top side, B: Mounted on the Bottom side)
S.=Surface mount

BOARD LAYOUTS

The combination of this side and the bottom side shows the board layout in the same configuration as the actual P.C.Board.

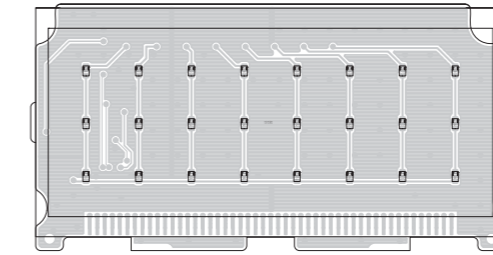
• PLL UNIT (TOP VIEW)



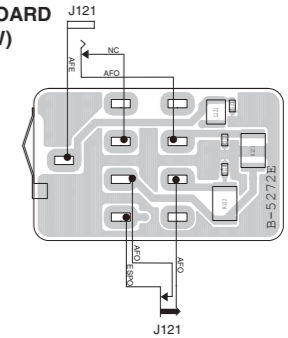
2	14V	GND	16
1	8V	AAFO	15
	5V	AAFO	
	RECS	UNLC	
	PST3	PST1	
	PCO2	PCK	
	PDAT	DRES	

J2 to MAIN unit J1501

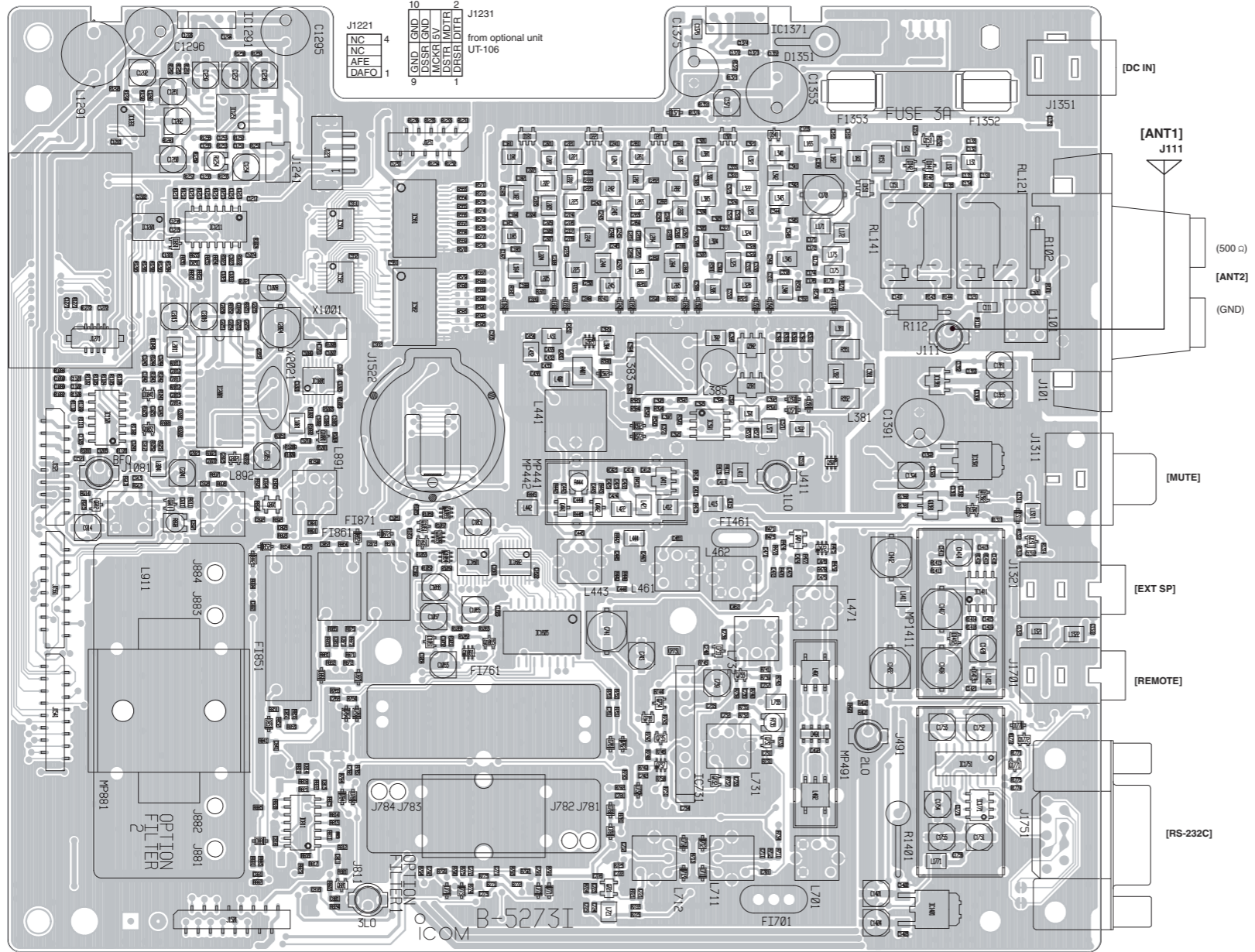
• DISPLAY BOARD (TOP VIEW)



• PHONE BOARD (TOP VIEW)

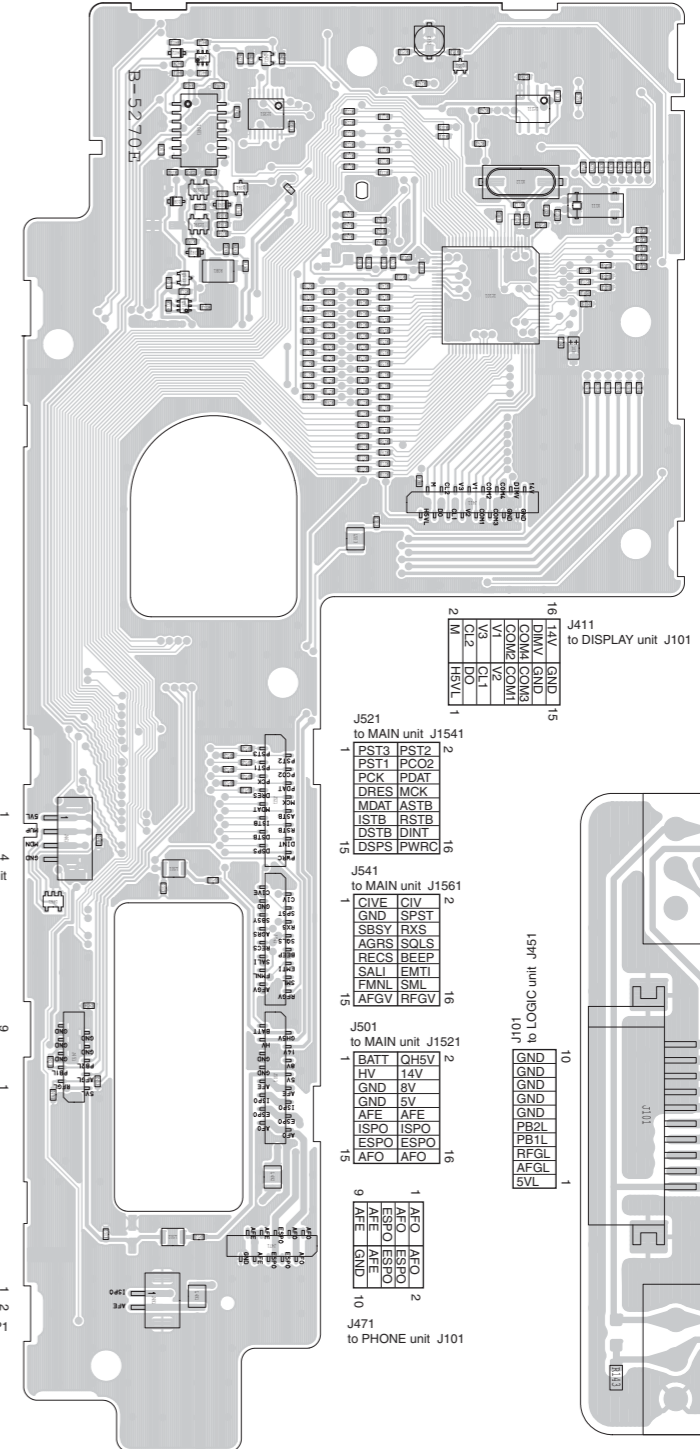


• MAIN UNIT (For other than [USA-2], [OTH-2], [CHN-1]) (TOP VIEW)



1	DC IN
2	[ANT1] J111
3	(500 Ω)
4	[ANT2] (GND)
5	[MUTE]
6	[EXT SP]
7	[REMOTE]
8	[RS-232C]

• LOGIC BOARD (TOP VIEW)



1	MDAT	ISPS	2
2	ISUSY	ISPC	1
3	ISV	ISPO	16
4	GND	ISPOH	15
5	GND	ISPOH	14
6	GND	ISPOH	13
7	GND	ISPOH	12
8	GND	ISPOH	11
9	GND	ISPOH	10
10	GND	ISPOH	9
11	GND	ISPOH	8
12	GND	ISPOH	7
13	GND	ISPOH	6
14	GND	ISPOH	5
15	GND	ISPOH	4
16	GND	ISPOH	3

from optional unit UT-102

1	AFQ	AFQ	2
2	ESPO	ESPO	1
3	ISPO	ISPO	16
4	AFV	AFV	15
5	5V	GND	14
6	8V	GND	13
7	14V	HVR	12
8	H5V	BATT	11
9	GND	BATT	10
10	GND	BATT	9
11	GND	BATT	8
12	GND	BATT	7
13	GND	BATT	6
14	GND	BATT	5
15	GND	BATT	4
16	GND	BATT	3

to LOGIC unit J501

1	RFGV	AFQV	2
2	SML	FMNL	1
3	EMTL	SALL	16
4	BEEP	RECS	15
5	SQLS	AGRS	14
6	RXS	SBSY	13
7	SPST	GND	12
8	QV	CIVE	11
9	GND	CIVE	10
10	GND	CIVE	9
11	GND	CIVE	8
12	GND	CIVE	7
13	GND	CIVE	6
14	GND	CIVE	5
15	GND	CIVE	4
16	GND	CIVE	3

to LOGIC unit J541

1	PWRC	DSPS	2
2	DINT	DSIB	1
3	PSTB	ISTB	16
4	ASTB	MDAT	15
5	MCK	DRES	14
6	PDAT	PCK	13
7	PCO2	PST1	12
8	PST2	PST3	11
9	GND	PST3	10
10	GND	PST3	9
11	GND	PST3	8
12	GND	PST3	7
13	GND	PST3	6
14	GND	PST3	5
15	GND	PST3	4
16	GND	PST3	3

to LOGIC unit J621

1	DDRES	PDAT	2
2	PCK	PCO2	1
3	UNLC	RECS	16
4	AAFO	5V	15
5	GND	8V	14
6	GND	14V	13
7	GND	14V	12
8	GND	14V	11
9	GND	14V	10
10	GND	14V	9
11	GND	14V	8
12	GND	14V	7
13	GND	14V	6
14	GND	14V	5
15	GND	14V	4
16	GND	14V	3

to PLL unit J2

1	J1221	4
2	NC	3
3	NC	2
4	DAFO	1
5	DAFO	16
6	DAFO	15
7	DAFO	14
8	DAFO	13
9	DAFO	12
10	DAFO	11
11	DAFO	10
12	DAFO	9
13	DAFO	8
14	DAFO	7
15	DAFO	6
16	DAFO	5

J1221 from optional unit UT-106

1	J1231	10
2	GND	9
3	GND	8
4	GND	7
5	GND	6
6	GND	5
7	GND	4
8	GND	3
9	GND	2
10	GND	1

J1231 from optional unit UT-106

1	J461	1
2	SVL	2
3	MUP	3
4	MDN	4
5	GND	5
6	GND	6
7	GND	7
8	GND	8
9	GND	9
10	GND	10
11	GND	11
12	GND	12
13	GND	13
14	GND	14
15	GND	15
16	GND	16

J461 to MAIN DIAL unit

1	J451	1
2	GND	2
3	GND	3
4	GND	4
5	GND	5
6	GND	6
7	GND	7
8	GND	8
9	GND	9
10	GND	10
11	GND	11
12	GND	12
13	GND	13
14	GND	14
15	GND	15
16	GND	16

J451 to VR unit J101

1	J491	1
2	ISPO	2
3	AFQ	3
4	AFQ	4
5	AFQ	5
6	AFQ	6
7	AFQ	7
8	AFQ	8
9	AFQ	9
10	AFQ	10
11	AFQ	11
12	AFQ	12
13	AFQ	13
14	AFQ	14
15	AFQ	15
16	AFQ	16

J491 to INT SP unit P1

1	J521	1
2	PST3	2
3	PST1	3
4	PCO2	4
5	PCO2	5
6	PCO2	6
7	PCO2	7
8	PCO2	8
9	PCO2	9
10	PCO2	10
11	PCO2	11
12	PCO2	12
13	PCO2	13
14	PCO2	14
15	PCO2	15
16	PCO2	16

J521 to MAIN unit J1541

1	J541	1
2	CIVE	2
3	GND	3
4	SPST	4
5	SBSY	5
6	AGRS	6
7	SQLS	7
8	RECS	8
9	BEEP	9
10	SALL	10
11	EMTL	11
12	SML	12
13	AFQV	13
14	AFQV	14
15	AFQV	15
16	AFQV	16

J541 to MAIN unit J1561

1	J501	1
2	BATT	2
3	QH5V	3
4	HV	4
5	14V	5
6	GND	6
7	8V	7
8	GND	8
9	AFQ	9
10	AFQ	10
11	ISPO	11
12	ISPO	12
13	ESPO	13
14	ESPO	14
15	AFO	15
16	AFO	16

J501 to MAIN unit J1521

1	J411	1
2	DAV	2
3	DAV	3
4	DAV	4
5	DAV	5
6	DAV	6
7	DAV	7
8	DAV	8
9	DAV	9
10	DAV	10
11	DAV	11
12	DAV	12
13	DAV	13
14	DAV	14
15	DAV	15
16	DAV	16

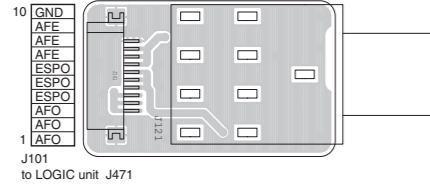
J411 to DISPLAY unit J101

1	J471	1
2	AFQ	2
3	AFQ	3
4	AFQ	4
5	AFQ	5
6	AFQ	6
7	AFQ	7
8	AFQ	8
9	AFQ	9
10	AFQ	10
11	AFQ	11
12	AFQ	12
13	AFQ	13
14	AFQ	14
15	AFQ	15
16	AFQ	16

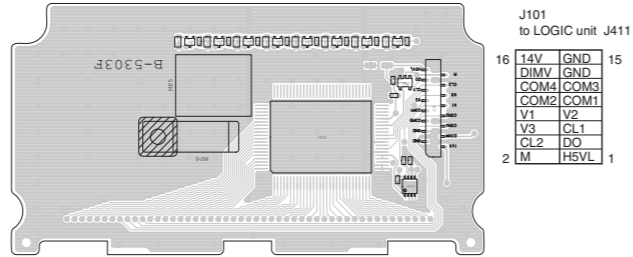
J471 to PHONE unit J101

The combination of this side and the bottom side shows the board layout in the same configuration as the actual P.C.Board.

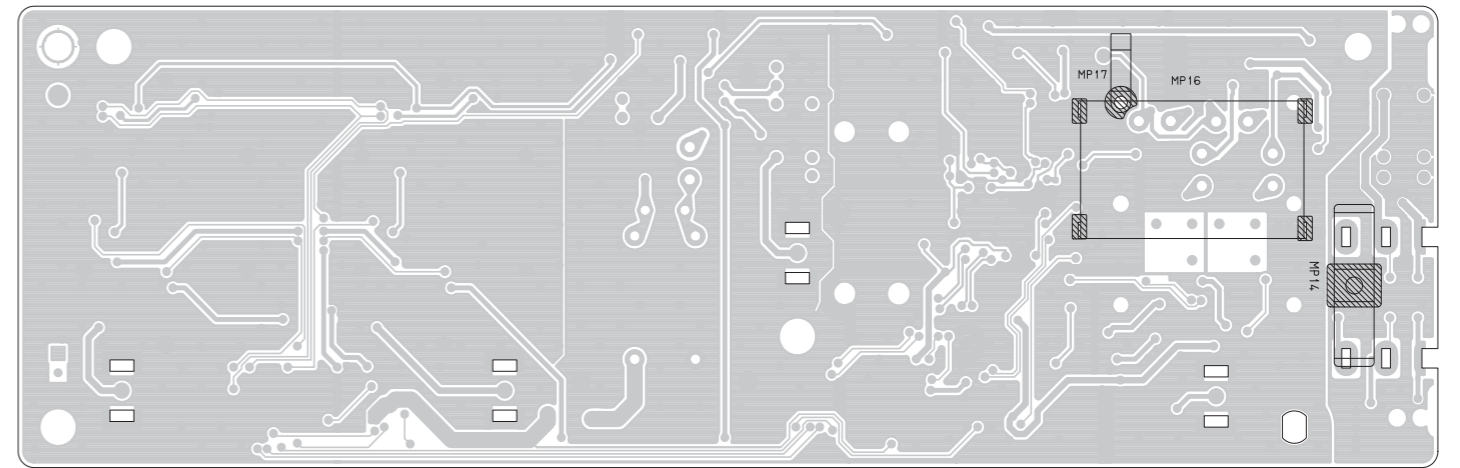
• PHONE BOARD (BOTTOM VIEW)



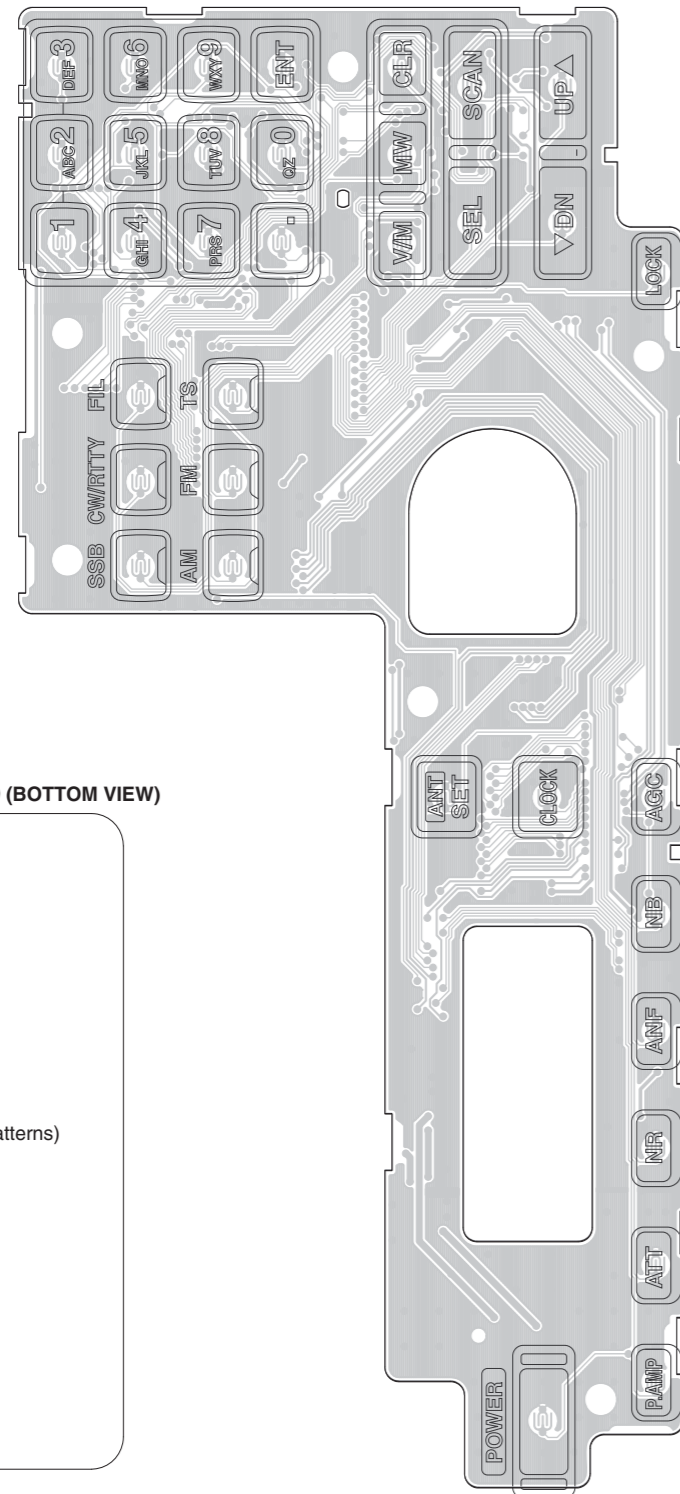
• DISPLAY BOARD (BOTTOM VIEW)



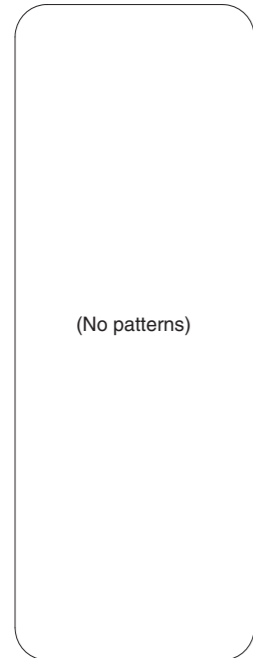
• PLL UNIT (BOTTOM VIEW)



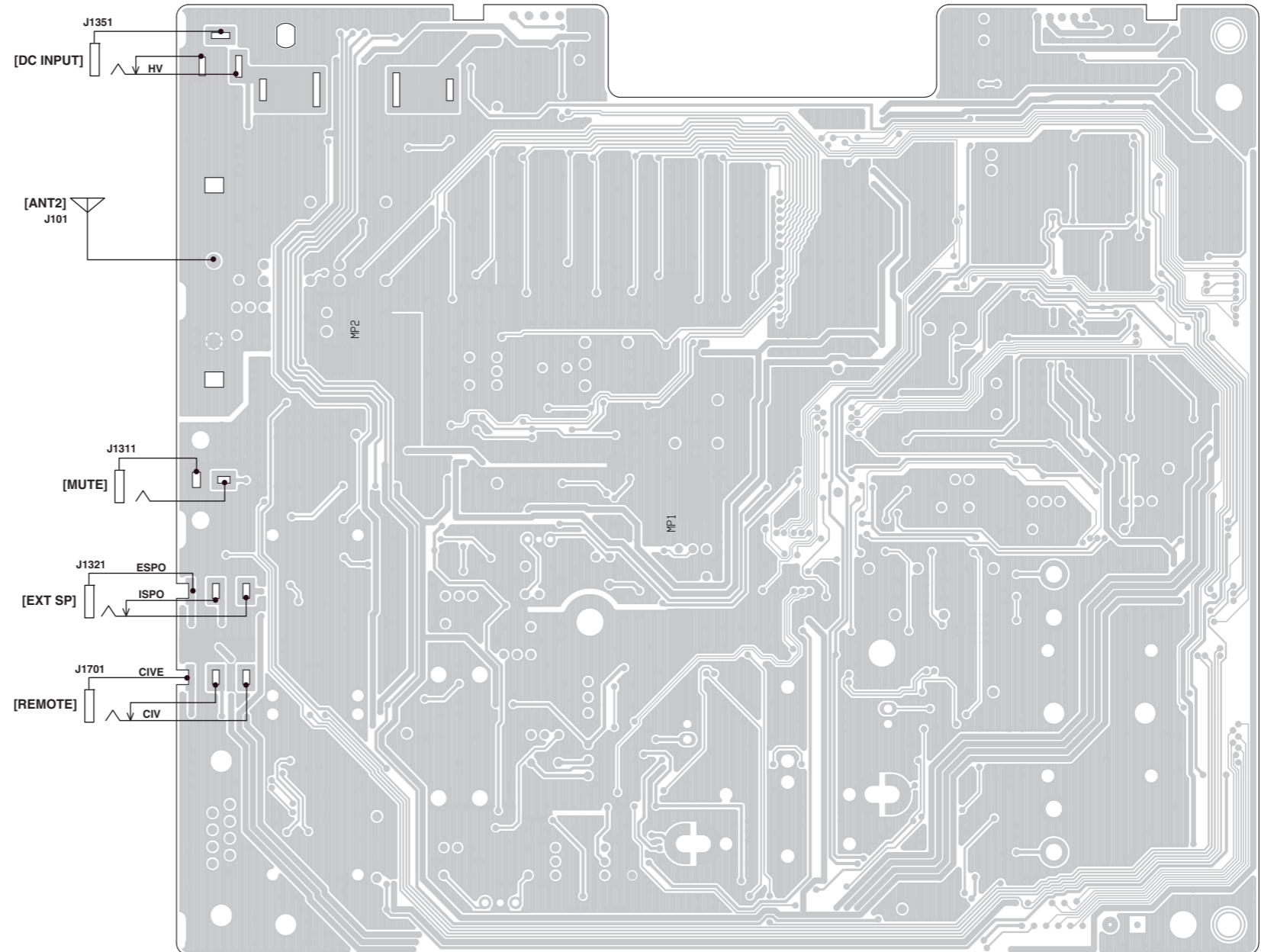
• LOGIC BOARD (BOTTOM VIEW)



• VR BOARD (BOTTOM VIEW)

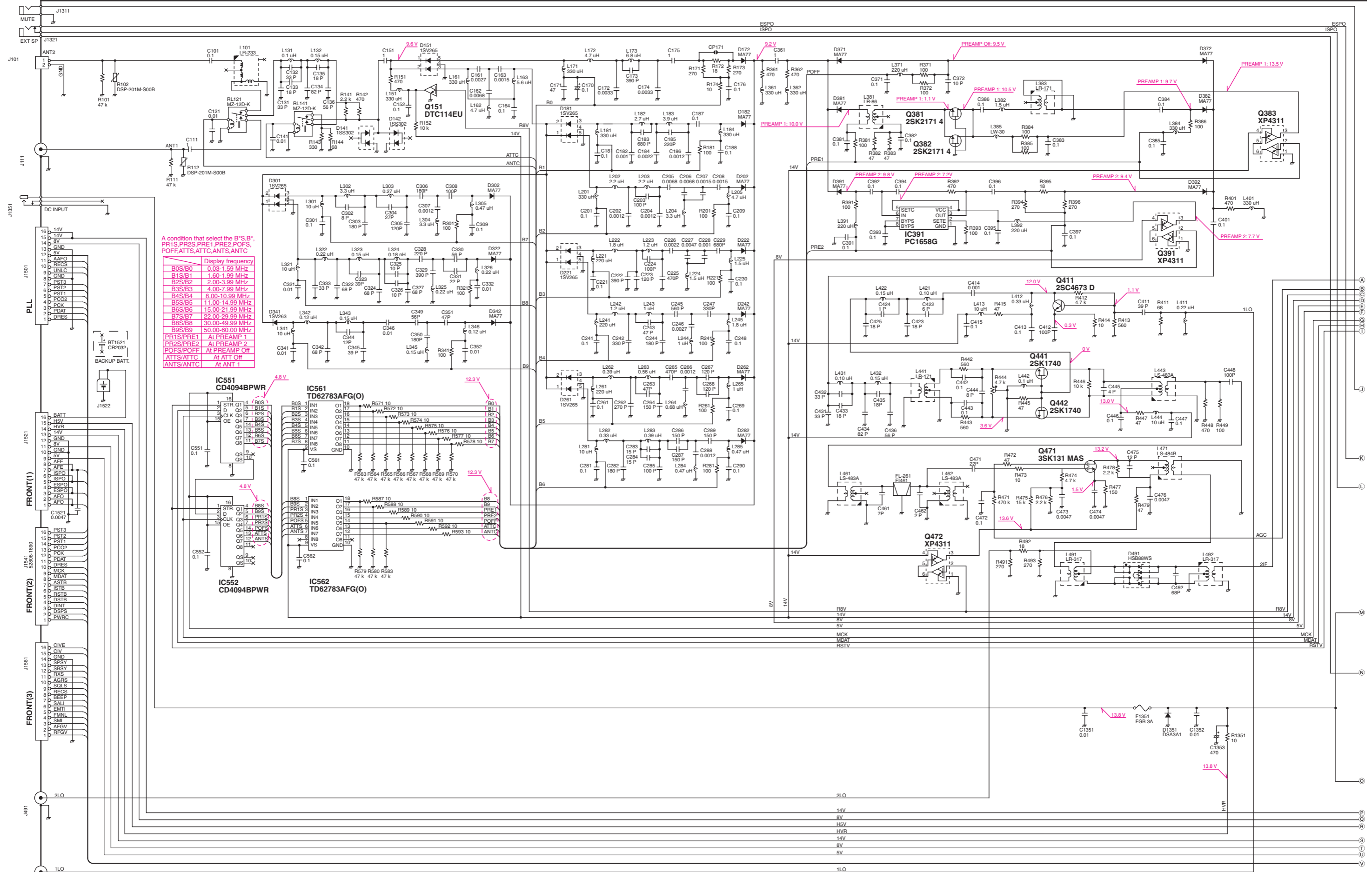


• MAIN UNIT (For other than [USA-2], [OTH-2], [CHN-1]) (BOTTOM VIEW)



VOLTAGE DIAGRAM

MAIN/MAIN-A UNIT

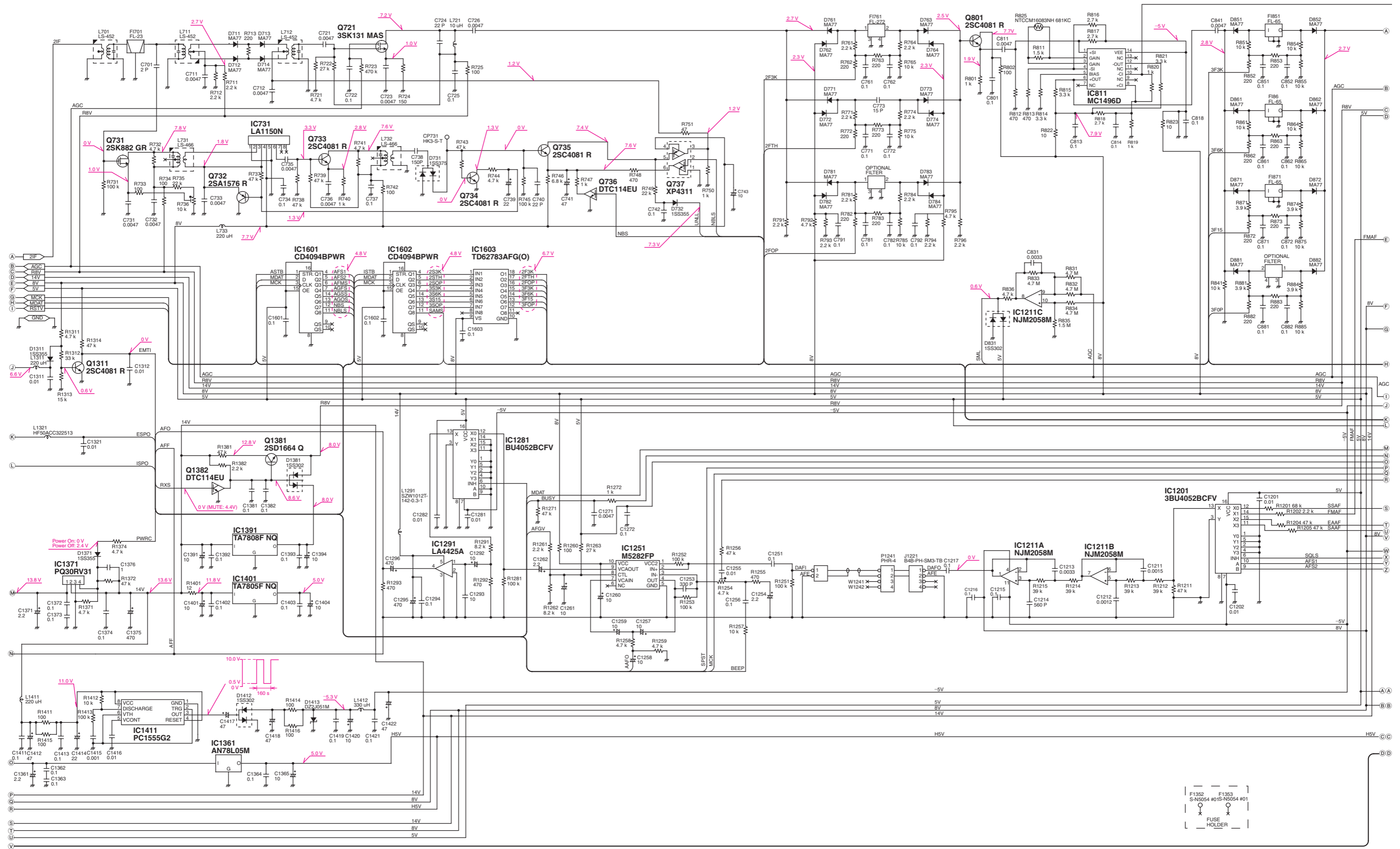


A condition that select the B'S/B',
PR1S,PR2S,PRE1,PRE2,POFFS,
POFF,ATT,ANTS,ANTC

Display frequency
B0S/B0 0.03-1.59 MHz
B1S/B1 1.60-1.99 MHz
B2S/B2 2.00-3.99 MHz
B3S/B3 4.00-7.99 MHz
B4S/B4 8.00-10.99 MHz
B5S/B5 11.00-14.99 MHz
B6S/B6 15.00-21.99 MHz
B7S/B7 22.00-29.99 MHz
B8S/B8 30.00-49.99 MHz
B9S/B9 50.00-60.00 MHz
PR1S/PRE1 At PREAMP 1
PR2S/PRE2 At PREAMP 2
POFFS/POFF At PREAMP OFF
ATT/ANTS At ATT OFF
ANTS/ANTC At ANT 1

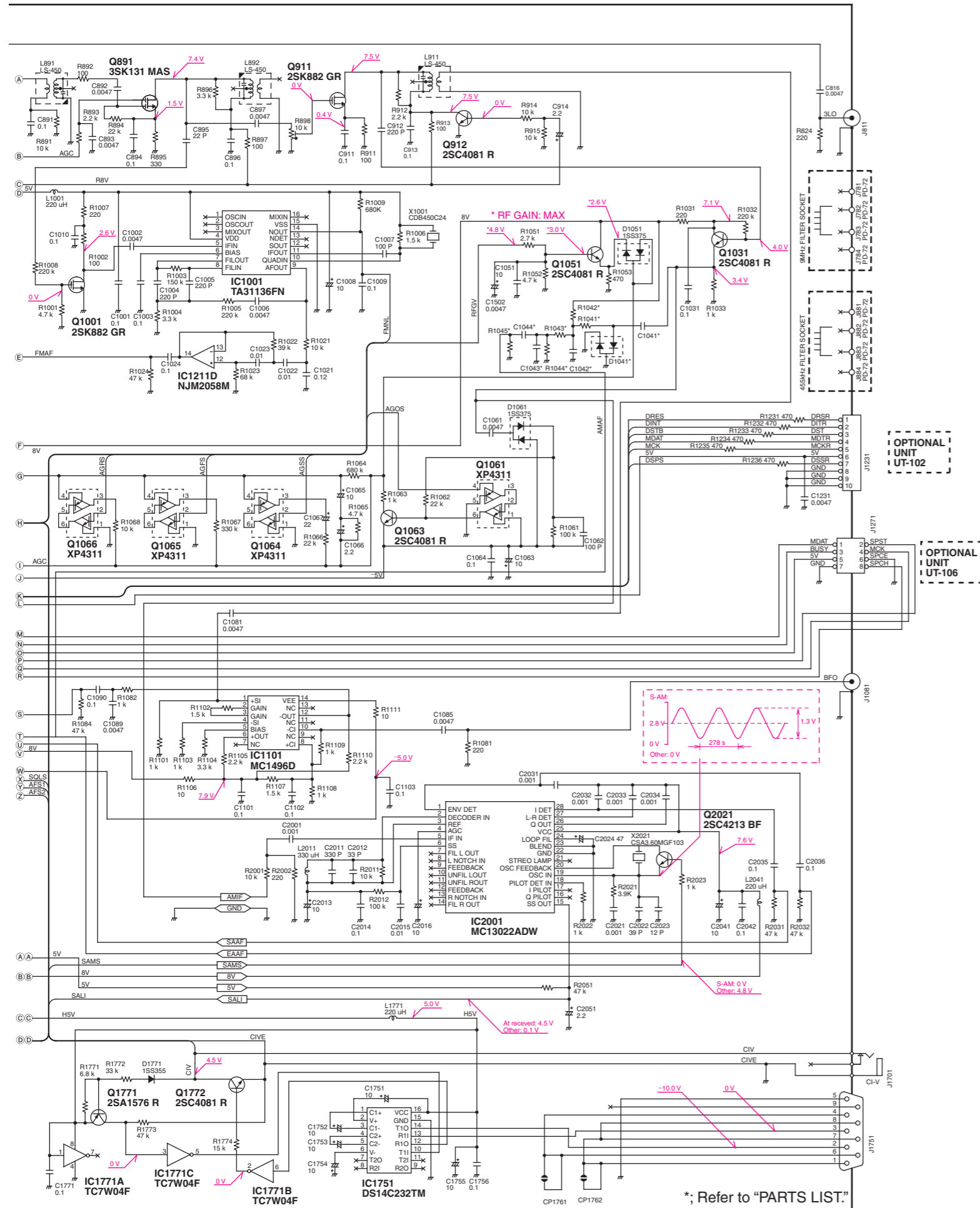
*; Refer to "PARTS LIST."

MAIN/MAIN-A UNIT

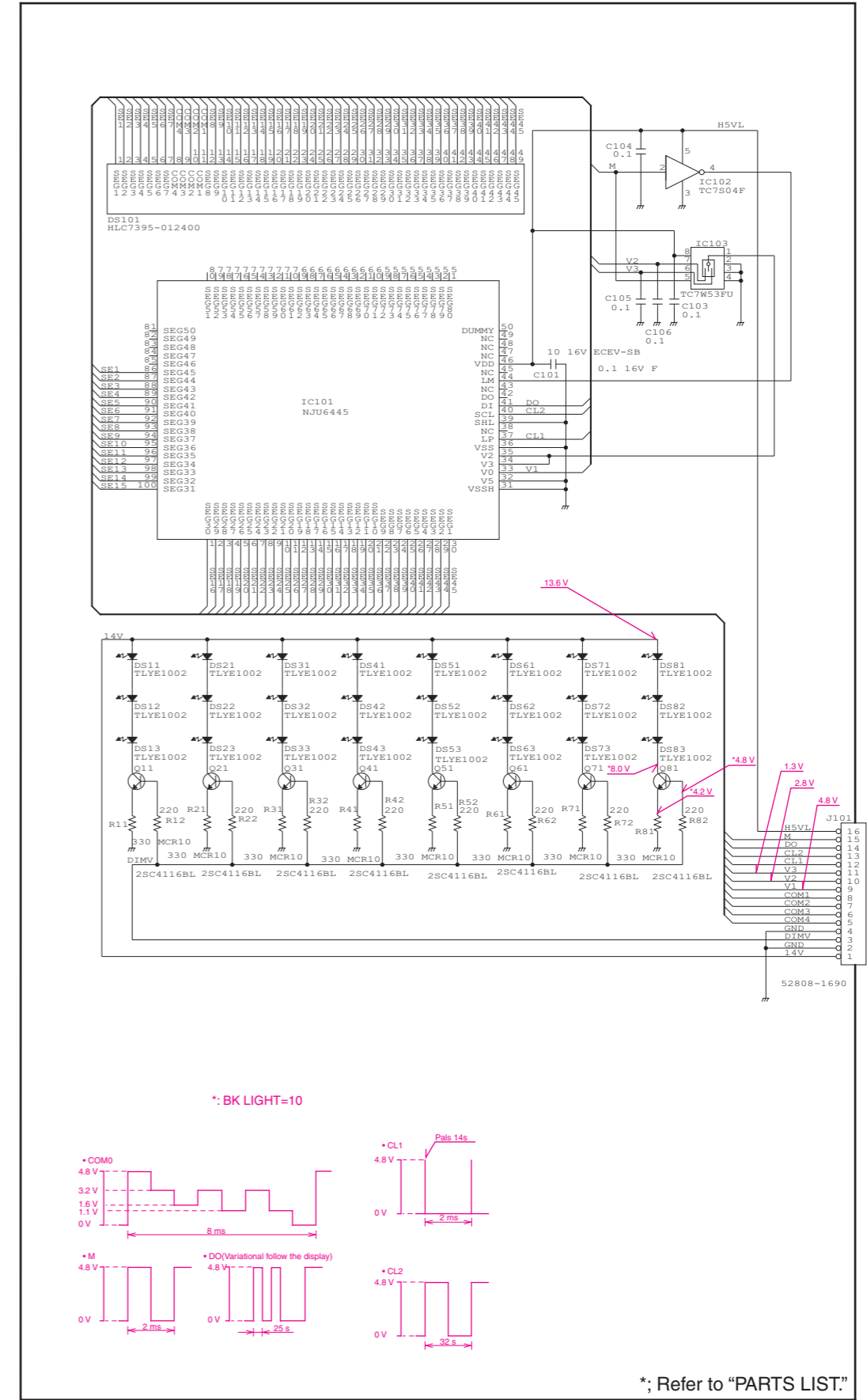


*; Refer to "PARTS LIST"

MAIN/MAIN-A UNIT

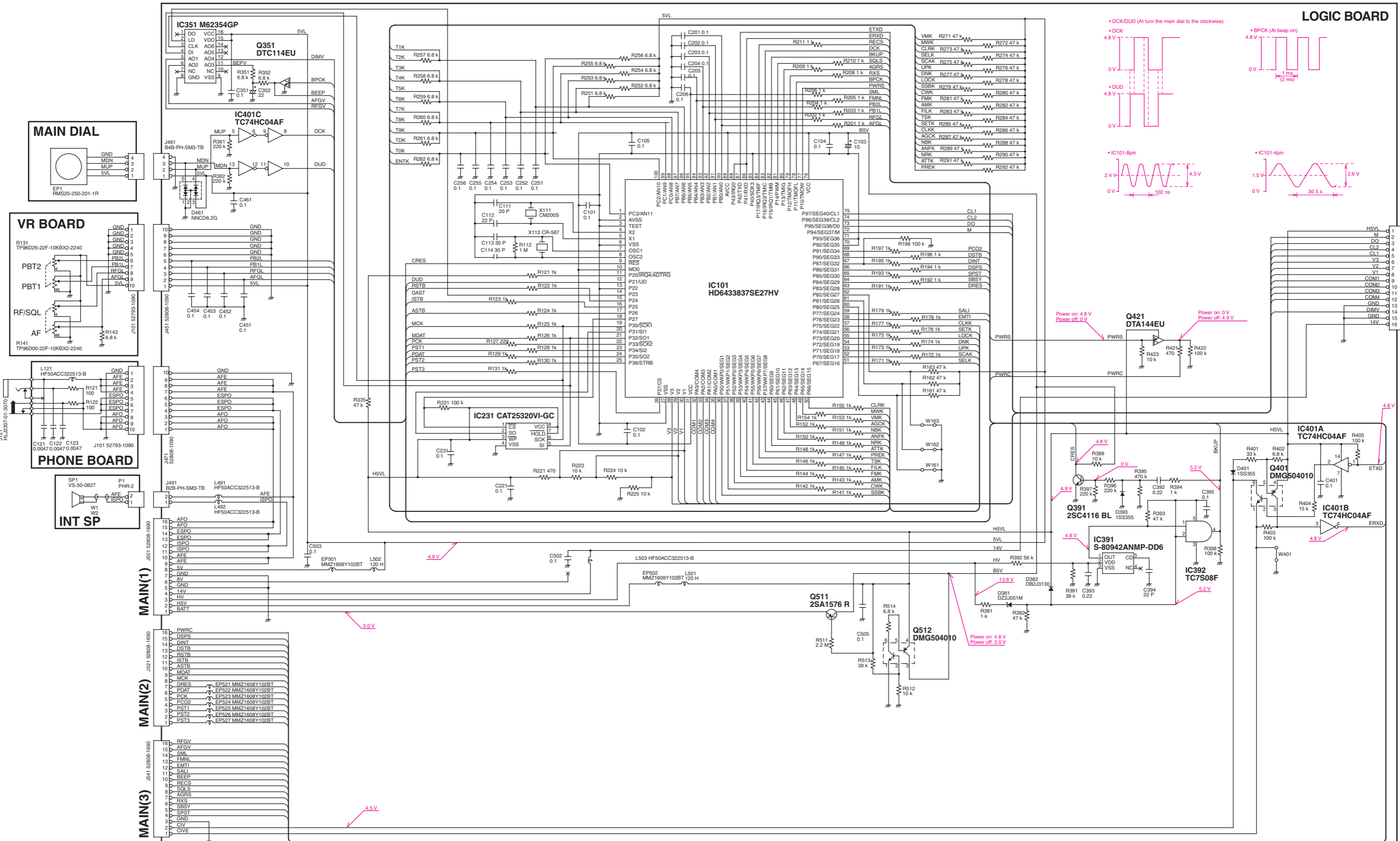


DISPLAY BOARD



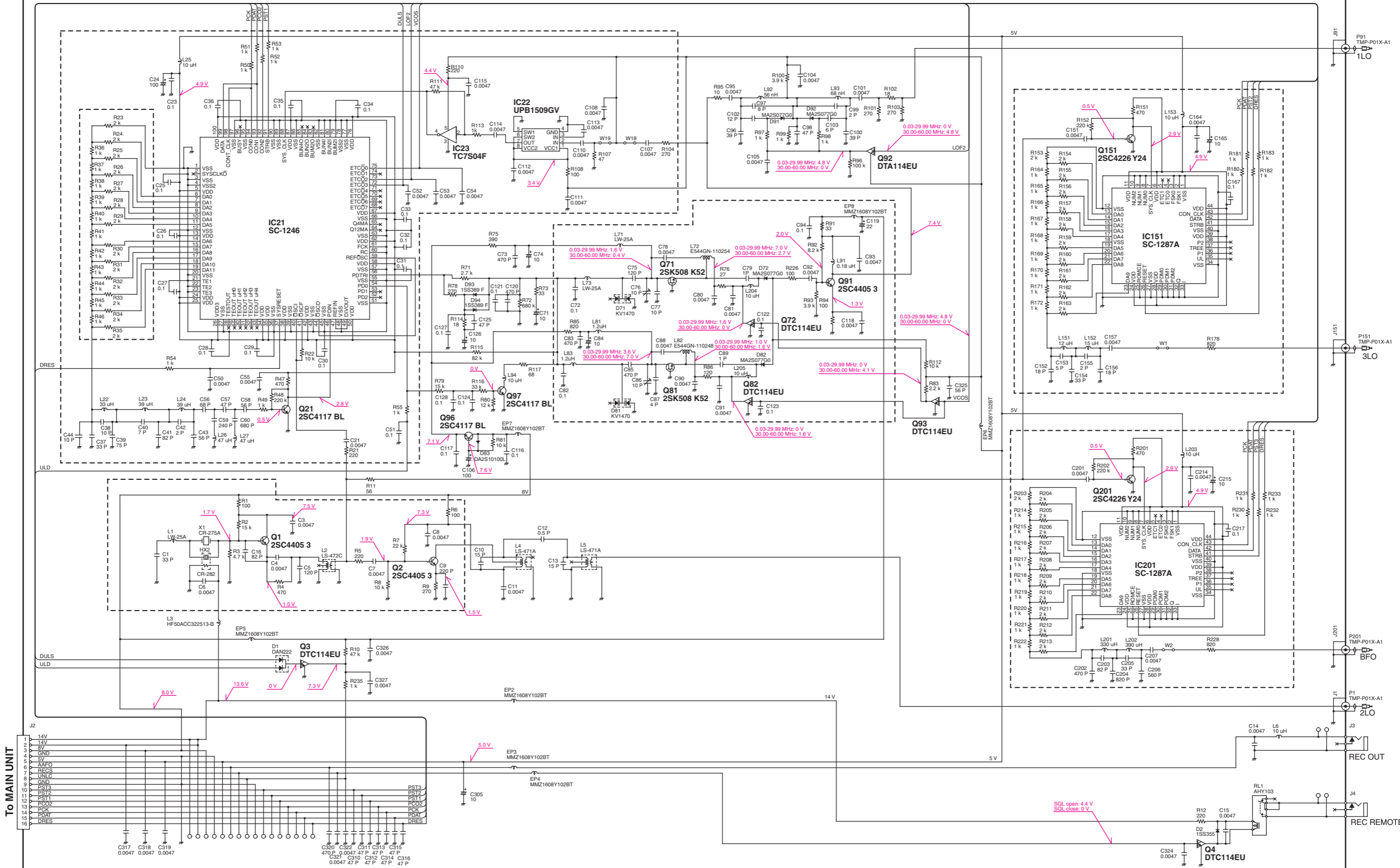
*; Refer to "PARTS LIST."

FRONT UNIT



*; Refer to "PARTS LIST."

PLL UNIT



*, Refer to "PARTS LIST."

Nov. 2009



SERVICE MANUAL ADDENDUM

IC-R75

CONTENTS

PARTS LIST	1
BOARD LAYOUTS	19
VOLTAGE DIAGRAM	21

[LOGIC BOARD]

REF NO.	ORDER NO.	DESCRIPTION
C221	4030008630	S.CER C1608 JF 1H 104Z-T
C231	4030008630	S.CER C1608 JF 1H 104Z-T
C251	4030008630	S.CER C1608 JF 1H 104Z-T
C252	4030008630	S.CER C1608 JF 1H 104Z-T
C253	4030008630	S.CER C1608 JF 1H 104Z-T
C254	4030008630	S.CER C1608 JF 1H 104Z-T
C255	4030008630	S.CER C1608 JF 1H 104Z-T
C256	4030008630	S.CER C1608 JF 1H 104Z-T
C351	4030008630	S.CER C1608 JF 1H 104Z-T
C352	4510008660	S.ELE EEE0JA220SR
C392	4030013720	S.CER GRM188B11A224KA01D (GRM39 B)
C393	4030013720	S.CER GRM188B11A224KA01D (GRM39 B)
C394	4030007050	S.CER C1608 CH 1H 220J-T
C395	4030008630	S.CER C1608 JF 1H 104Z-T
C401	4030008630	S.CER C1608 JF 1H 104Z-T
C451	4030008630	S.CER C1608 JF 1H 104Z-T
C452	4030008630	S.CER C1608 JF 1H 104Z-T
C453	4030008630	S.CER C1608 JF 1H 104Z-T
C454	4030008630	S.CER C1608 JF 1H 104Z-T
C461	4030008630	S.CER C1608 JF 1H 104Z-T
C502	4030008630	S.CER C1608 JF 1H 104Z-T
C503	4030008630	S.CER C1608 JF 1H 104Z-T
C505	4030008630	S.CER C1608 JF 1H 104Z-T
J411	6510019981	S.CON 52808-1671(1690)
J451	6510019971	S.CON 52808-1071
J461	6510018971	S.CON B4B-PH-SM4-TB(LF)(SN)
J471	6510019971	S.CON 52808-1071
J491	6510018961	S.CON B2B-PH-SM4-TB(LF)(SN)
J501	6510019981	S.CON 52808-1671(1690)
J521	6510019981	S.CON 52808-1671(1690)
J541	6510019981	S.CON 52808-1671(1690)
EP501	6910012350	S.BEA MMZ1608Y 102BT
EP502	6910012350	S.BEA MMZ1608Y 102BT
EP521	6910012350	S.BEA MMZ1608Y 102BT
EP522	6910012350	S.BEA MMZ1608Y 102BT
EP523	6910012350	S.BEA MMZ1608Y 102BT
EP524	6910012350	S.BEA MMZ1608Y 102BT
EP525	6910012350	S.BEA MMZ1608Y 102BT
EP526	6910012350	S.BEA MMZ1608Y 102BT
EP527	6910012350	S.BEA MMZ1608Y 102BT

[PHONE BOARD]

REF NO.	ORDER NO.	DESCRIPTION
L121	6200003950	S.COI HF50ACC 322513-T
R121	7030006070	S.RES ERJ12YJ101U (100)
R122	7030006070	S.RES ERJ12YJ101U (100)
C121	4030006880	S.CER C1608 JB 1H 472K-T
C122	4030006880	S.CER C1608 JB 1H 472K-T
C123	4030006880	S.CER C1608 JB 1H 472K-T
J101	6510020711	S.CON 52793-1070(1090)
J121	6510021480	CON HLJ2307-01-3070

M.=Mounted side (T: Mounted on the Top side, B: Mounted on the Bottom side)
S.=Surface mount

[VR BOARD]

REF NO.	ORDER NO.	DESCRIPTION
R131	7210003040	VAR TP96D26-22F-10KBX2-2240
R141	7210003030	VAR TP96D00-22F-10KBX2-2240
R143	7030003540	S.RES ERJ3GEYJ 682 V (6.8K)
J101	6510020711	S.CON 52793-1070(1090)

[MAIN UNIT] (For other than [USA-2], [OTH-2], [CHN-1])

REF NO.	ORDER NO.	DESCRIPTION	
WS1	8600036540	CBL RX2240 P1241*J1241MA	
IC391	1110003970	S.IC UPC1658G-E1	
IC551	1130011760	S.IC CD4094BPWR	
IC552	1130011760	S.IC CD4094BPWR	
IC561	1160000131	S.IC TD62783AFG(5,S,EL)	
IC562	1160000131	S.IC TD62783AFG(5,S,EL)	
IC731	1110003141	IC LA1150N-E	
IC811	1110002601	S.IC MC1496DR2G	[USA]
	1110002600	S.IC MC1496DR2	[EUR]
	1110002601	S.IC MC1496DR2G	[AUS]
	1110002600	S.IC MC1496DR2	[UK]
	1110002601	S.IC MC1496DR2G	[DEN]
	1110002601	S.IC MC1496DR2G	[SEA]
	1110002601	S.IC MC1496DR2G	[OTH]
	1110002601	S.IC MC1496DR2G	[USA-1]
	1110002601	S.IC MC1496DR2G	[OTH-1]
	1110002601	S.IC MC1496DR2G	[CHN]
IC1001	1110003201	S.IC TA31136FNG(EL)	
IC1101	1110002601	S.IC MC1496DR2G	[USA]
	1110002600	S.IC MC1496DR2	[EUR]
	1110002601	S.IC MC1496DR2G	[AUS]
	1110002600	S.IC MC1496DR2	[UK]
	1110002601	S.IC MC1496DR2G	[DEN]
	1110002601	S.IC MC1496DR2G	[SEA]
	1110002601	S.IC MC1496DR2G	[OTH]
	1110002601	S.IC MC1496DR2G	[USA-1]
	1110002601	S.IC MC1496DR2G	[OTH-1]
	1110002601	S.IC MC1496DR2G	[CHN]
IC1201	1130009100	S.IC BU4052BCFV-E2	
IC1211	1110003870	S.IC NJM2058M-TE1-#ZZZB	
IC1251	1110003300	S.IC M5282FP 70CD	
IC1281	1130009100	S.IC BU4052BCFV-E2	
IC1291	1110003091	IC LA4425A-E	
IC1361	1180000970	S.IC AN78L05M-(E1)	
IC1371	1180001531	IC PQ30RV31J00H	
IC1391	1180001252	S.IC TA7808F(TE16L1,NQ)	
IC1401	1180001072	S.IC TA7805F(TE16L1,NQ)	
IC1411	1110001401	S.IC UPC1555G2-E1-A	
IC1601	1130011760	S.IC CD4094BPWR	
IC1602	1130011760	S.IC CD4094BPWR	
IC1603	1160000131	S.IC TD62783AFG(5,S,EL)	
IC1751	1120002510	S.IC DS14C232TM S	
IC1771	1130005721	S.IC TC7W04F(TE12L,F)	
IC2001	1110004940	S.IC MC13022ADWR3	[USA]
	1110004940	S.IC MC13022ADWR3	[EUR]
	1110004940	S.IC MC13022ADWR3	[AUS]
	1110004940	S.IC MC13022ADWR3	[UK]
	1110004940	S.IC MC13022ADWR3	[DEN]
	1110004940	S.IC MC13022ADWR3	[SEA]
	1110004940	S.IC MC13022ADWR3	[OTH]
Q151	1590000680	S.TRA DTC114EUA T106	
Q381	1560000721	S.FET 2SK2171-4-TD-E	
Q382	1560000721	S.FET 2SK2171-4-TD-E	
Q383	1590001960	S.TRA XP4311(TX)	
Q391	1590001960	S.TRA XP4311(TX)	
Q411	1530003151	S.TRA 2SC4673D-TD-E	
Q441	1560000641	S.FET 2SK1740-4/5-TB-E	
Q442	1560000641	S.FET 2SK1740-4/5-TB-E	
Q471	1580000620	S.FET 3SK131-T2 MAS	
Q472	1590001960	S.TRA XP4311(TX)	
Q721	1580000620	S.FET 3SK131-T2 MAS	
Q731	1560000561	S.FET 2SK882-GR(TE85L,F)	
Q732	1510000510	S.TRA 2SA1576A T106R	
Q733	1530002060	S.TRA 2SC4081 T106 R	
Q734	1530002060	S.TRA 2SC4081 T106 R	
Q735	1530002060	S.TRA 2SC4081 T106 R	
Q736	1590000680	S.TRA DTC114EUA T106	
Q737	1590001960	S.TRA XP4311(TX)	
Q801	1530002060	S.TRA 2SC4081 T106 R	
Q891	1580000620	S.FET 3SK131-T2 MAS	
Q911	1560000561	S.FET 2SK882-GR(TE85L,F)	
Q912	1530002060	S.TRA 2SC4081 T106 R	
Q1001	1560000561	S.FET 2SK882-GR(TE85L,F)	
Q1031	1530002060	S.TRA 2SC4081 T106 R	
Q1051	1530002060	S.TRA 2SC4081 T106 R	
Q1061	1590001960	S.TRA XP4311(TX)	
Q1063	1530002060	S.TRA 2SC4081 T106 R	
Q1064	1590001960	S.TRA XP4311(TX)	
Q1065	1590001960	S.TRA XP4311(TX)	
Q1066	1590001960	S.TRA XP4311(TX)	
Q1311	1530002060	S.TRA 2SC4081 T106 R	
Q1381	1540000550	S.TRA 2SD1664 T100Q	
Q1382	1590000680	S.TRA DTC114EUA T106	
Q1771	1510000510	S.TRA 2SA1576A T106R	
Q1772	1530002060	S.TRA 2SC4081 T106 R	
Q2021	1530003091	S.TRA 2SC4213-B(TE85R,F)	[USA]
	1530003091	S.TRA 2SC4213-B(TE85R,F)	[EUR]
	1530003091	S.TRA 2SC4213-B(TE85R,F)	[AUS]
	1530003091	S.TRA 2SC4213-B(TE85R,F)	[UK]
	1530003091	S.TRA 2SC4213-B(TE85R,F)	[DEN]
	1530003091	S.TRA 2SC4213-B(TE85R,F)	[SEA]
	1530003091	S.TRA 2SC4213-B(TE85R,F)	[OTH]
D141	1750000461	S.DIO 1SV246-TL-E	
D142	1750000461	S.DIO 1SV246-TL-E	
D151	1750000971	S.DIO CPH5513-TL-E	
D172	1790000620	S.DIO MA77(TX)	
D181	1750000971	S.DIO CPH5513-TL-E	
D182	1790000620	S.DIO MA77(TX)	

M.=Mounted side (T: Mounted on the Top side, B: Mounted on the Bottom side)
S.=Surface mount

[MAIN UNIT] (For other than [USA-2], [OTH-2], [CHN-1])

REF NO.	ORDER NO.	DESCRIPTION	
D202	1790000620	S.DIO MA77(TX)	
D221	1750000971	S.DIO CPH5513-TL-E	
D222	1790000620	S.DIO MA77(TX)	
D242	1790000620	S.DIO MA77(TX)	
D261	1750000971	S.DIO CPH5513-TL-E	
D262	1790000620	S.DIO MA77(TX)	
D282	1790000620	S.DIO MA77(TX)	
D301	1750000971	S.DIO CPH5513-TL-E	
D302	1790000620	S.DIO MA77(TX)	
D322	1790000620	S.DIO MA77(TX)	
D341	1750000441	S.DIO 1SV263-TL-E	
D342	1790000620	S.DIO MA77(TX)	
D371	1790000620	S.DIO MA77(TX)	
D372	1790000620	S.DIO MA77(TX)	
D381	1790000620	S.DIO MA77(TX)	
D382	1790000620	S.DIO MA77(TX)	
D391	1790000620	S.DIO MA77(TX)	
D392	1790000620	S.DIO MA77(TX)	
D491	1750000431	S.DIO HSB88WSTR-E	
D711	1790000620	S.DIO MA77(TX)	
D712	1790000620	S.DIO MA77(TX)	
D713	1790000620	S.DIO MA77(TX)	
D714	1790000620	S.DIO MA77(TX)	
D731	1790001211	S.DIO 1SS375-TL-E	
D732	1750000550	S.DIO 1SS355 TE-17	
D761	1790000620	S.DIO MA77(TX)	
D762	1790000620	S.DIO MA77(TX)	
D763	1790000620	S.DIO MA77(TX)	
D764	1790000620	S.DIO MA77(TX)	
D771	1790000620	S.DIO MA77(TX)	
D772	1790000620	S.DIO MA77(TX)	
D773	1790000620	S.DIO MA77(TX)	
D774	1790000620	S.DIO MA77(TX)	
D781	1790000620	S.DIO MA77(TX)	
D782	1790000620	S.DIO MA77(TX)	
D783	1790000620	S.DIO MA77(TX)	
D784	1790000620	S.DIO MA77(TX)	
D831	1750000301	S.DIO 1SS302(TE85R,F)	
D851	1790000620	S.DIO MA77(TX)	
D852	1790000620	S.DIO MA77(TX)	
D861	1790000620	S.DIO MA77(TX)	
D862	1790000620	S.DIO MA77(TX)	
D871	1790000620	S.DIO MA77(TX)	
D872	1790000620	S.DIO MA77(TX)	
D881	1790000620	S.DIO MA77(TX)	
D882	1790000620	S.DIO MA77(TX)	
D1041	1790001211	S.DIO 1SS375-TL-E	[USA-1]
	1790001211	S.DIO 1SS375-TL-E	[OTH-1]
	1790001211	S.DIO 1SS375-TL-E	[CHN]
D1051	1790001211	S.DIO 1SS375-TL-E	
D1061	1790001211	S.DIO 1SS375-TL-E	
D1311	1750000550	S.DIO 1SS355 TE-17	
D1351	1790000700	DIO DSA3A1	
D1371	1750000550	S.DIO 1SS355 TE-17	
D1381	1750000301	S.DIO 1SS302(TE85R,F)	
D1412	1750000301	S.DIO 1SS302(TE85R,F)	
D1413	1730002321	S.ZEN MAZ8051GML	
D1771	1750000550	S.DIO 1SS355 TE-17	
FI461	2010002090	FIL UM-5 69.0115 MHz (FL-261)	
FI701	2010000270	FIL 9M15A (FL-23)	
FI761	2010002130	D.F 9M22D4 9.0115 MHz (FL-272)	
FI851	2020000210	CER CFJ455K5 (FL-65)	
FI861	2020001460	CER CFWLA450KHFA-B0 (CFWS450HT)	
FI871	2020001210	CER CFWLA450KEFA-B0 (CFWS450E)	
X1001	6070000200	DIS CDBLA450KAY24-B0 (CDB450C24)	
X2021	6060000721	CER CSALF3M60GZZF03-B0	[USA]
	6060000721	CER CSALF3M60GZZF03-B0	[EUR]
	6060000721	CER CSALF3M60GZZF03-B0	[AUS]
	6060000721	CER CSALF3M60GZZF03-B0	[UK]
	6060000721	CER CSALF3M60GZZF03-B0	[DEN]
	6060000721	CER CSALF3M60GZZF03-B0	[SEA]
	6060000721	CER CSALF3M60GZZF03-B0	[OTH]
L101	6140002070	COI LR-233	
L131	6200003431	S.COI NLV32T-R10J	
L132	6200003421	S.COI NLV32T-R15J	
L151	6200005491	S.COI NLV32T-331J	
L161	6200005491	S.COI NLV32T-331J	
L162	6200008790	S.COI ACL3225S-4R7K-T	
L163	6200008800	S.COI ACL3225S-5R6K-T	
L171	6200005491	S.COI NLV32T-331J	
L172	6200002961	S.COI NLV32T-4R7J	
L173	6200003111	S.COI NLV32T-6R8J	
L181	6200005491	S.COI NLV32T-331J	
L182	6200003091	S.COI NLV32T-2R7J	
L183	6200003101	S.COI NLV32T-3R9J	
L184	6200005491	S.COI NLV32T-331J	
L201	6200005491	S.COI NLV32T-331J	
L202	6200002991	S.COI NLV32T-2R2J	
L203	6200002991	S.COI NLV32T-2R2J	
L204	6200003321	S.COI NLV32T-3R3J	
L205	6200002961	S.COI NLV32T-4R7J	
L221	6200003241	S.COI NLV32T-221J	
L222	6200003081	S.COI NLV32T-1R8J	
L223	6200003061	S.COI NLV32T-1R2J	
L224	6200003071	S.COI NLV32T-1R5J	
L225	6200003071	S.COI NLV32T-1R5J	
L241	6200003241	S.COI NLV32T-221J	
L242	6200003061	S.COI NLV32T-1R2J	

[MAIN UNIT] (For other than [USA-2], [OTH-2], [CHN-1])

REF NO.	ORDER NO.	DESCRIPTION	
L243	6200003331	S.COI NLV32T-1R0J	
L244	6200003331	S.COI NLV32T-1R0J	
L245	6200003081	S.COI NLV32T-1R8J	
L261	6200003241	S.COI NLV32T-221J	
L262	6200003251	S.COI NLV32T-R39J	
L263	6200002981	S.COI NLV32T-R56J	
L264	6200003041	S.COI NLV32T-R68J	
L265	6200003331	S.COI NLV32T-1R0J	
L281	6200001831	S.COI NLV32T-100J	
L282	6200003021	S.COI NLV32T-R33J	
L283	6200003251	S.COI NLV32T-R39J	
L284	6200003031	S.COI NLV32T-R47J	
L285	6200003031	S.COI NLV32T-R47J	[USA]
	6200003031	S.COI NLV32T-R47J	[EUR]
	6200003030	S.COI NL 322522T-R47J-3	[AUS]
	6200003031	S.COI NLV32T-R47J	[UK]
	6200003030	S.COI NL 322522T-R47J-3	[DEN]
	6200003031	S.COI NLV32T-R47J	[SEA]
	6200003031	S.COI NLV32T-R47J	[OTH]
	6200003031	S.COI NLV32T-R47J	[USA-1]
	6200003031	S.COI NLV32T-R47J	[OTH-1]
	6200003031	S.COI NLV32T-R47J	[CHN]
L301	6200001831	S.COI NLV32T-100J	[USA]
	6200001831	S.COI NLV32T-100J	[EUR]
	6200001830	S.COI NL 322522T-100J	[AUS]
	6200001831	S.COI NLV32T-100J	[UK]
	6200001830	S.COI NL 322522T-100J	[DEN]
	6200001831	S.COI NLV32T-100J	[SEA]
	6200001831	S.COI NLV32T-100J	[OTH]
	6200001831	S.COI NLV32T-100J	[USA-1]
	6200001831	S.COI NLV32T-100J	[OTH-1]
	6200001831	S.COI NLV32T-100J	[CHN]
L302	6200003021	S.COI NLV32T-R33J	[USA]
	6200003021	S.COI NLV32T-R33J	[EUR]
	6200003020	S.COI NL 322522T-R33J-3	[AUS]
	6200003021	S.COI NLV32T-R33J	[UK]
	6200003020	S.COI NL 322522T-R33J-3	[DEN]
	6200003021	S.COI NLV32T-R33J	[SEA]
	6200003021	S.COI NLV32T-R33J	[OTH]
	6200003021	S.COI NLV32T-R33J	[USA-1]
	6200003021	S.COI NLV32T-R33J	[OTH-1]
	6200003021	S.COI NLV32T-R33J	[CHN]
L303	6200003011	S.COI NLV32T-R27J	
L304	6200003021	S.COI NLV32T-R33J	
L305	6200003031	S.COI NLV32T-R47J	
L321	6200001831	S.COI NLV32T-100J	
L322	6200003001	S.COI NLV32T-R22J	
L323	6200003421	S.COI NLV32T-R15J	
L324	6180002961	S.COI NLV32T-R18J	
L325	6200003001	S.COI NLV32T-R22J	
L326	6200003001	S.COI NLV32T-R22J	
L341	6200001831	S.COI NLV32T-100J	
L342	6200001471	S.COI NLV32T-R12J	
L343	6200003421	S.COI NLV32T-R15J	
L345	6200003421	S.COI NLV32T-R15J	
L346	6200001471	S.COI NLV32T-R12J	
L361	6200005491	S.COI NLV32T-331J	
L362	6200005491	S.COI NLV32T-331J	
L371	6200003241	S.COI NLV32T-221J	
L381	6140000640	COI LR-86	
L382	6200003071	S.COI NLV32T-1R5J	[USA]
	6200003071	S.COI NLV32T-1R5J	[EUR]
	6200003070	S.COI NL 322522T-1R5J-3	[AUS]
	6200003071	S.COI NLV32T-1R5J	[UK]
	6200003070	S.COI NL 322522T-1R5J-3	[DEN]
	6200003071	S.COI NLV32T-1R5J	[SEA]
	6200003071	S.COI NLV32T-1R5J	[OTH]
	6200003071	S.COI NLV32T-1R5J	[USA-1]
	6200003071	S.COI NLV32T-1R5J	[OTH-1]
	6200003071	S.COI NLV32T-1R5J	[CHN]
L383	6140001500	COI LR-171	
L384	6200005491	S.COI NLV32T-331J	[USA]
	6200005491	S.COI NLV32T-331J	[EUR]
	6200005490	S.COI NL 322522T-331J	[AUS]
	6200005491	S.COI NLV32T-331J	[UK]
	6200005490	S.COI NL 322522T-331J	[DEN]
	6200005491	S.COI NLV32T-331J	[SEA]
	6200005491	S.COI NLV32T-331J	[OTH]
	6200005491	S.COI NLV32T-331J	[USA-1]
	6200005491	S.COI NLV32T-331J	[OTH-1]
	6200005491	S.COI NLV32T-331J	[CHN]
L385	6170000291	COI LW-30-LF	
L391	6200003241	S.COI NLV32T-221J	[USA]
	6200003241	S.COI NLV32T-221J	[EUR]
	6200003240	S.COI NL 322522T-221J	[AUS]
	6200003241	S.COI NLV32T-221J	[UK]
	6200003240	S.COI NL 322522T-221J	[DEN]
	6200003241	S.COI NLV32T-221J	[SEA]
	6200003241	S.COI NLV32T-221J	[OTH]
	6200003241	S.COI NLV32T-221J	[USA-1]
	6200003241	S.COI NLV32T-221J	[OTH-1]
	6200003241	S.COI NLV32T-221J	[CHN]
L392	6200003241	S.COI NLV32T-221J	
L401	6200005491	S.COI NLV32T-331J	
L411	6200003001	S.COI NLV32T-R22J	
L412	6200003021	S.COI NLV32T-R33J	
L413	6200001831	S.COI NLV32T-100J	
L421	6200003431	S.COI NLV32T-R10J	
L422	6200003421	S.COI NLV32T-R15J	
L431	6200003431	S.COI NLV32T-R10J	
L432	6200003421	S.COI NLV32T-R15J	
L441	6140001500	COI LR-171	
L442	6200003431	S.COI NLV32T-R10J	
L443	6150004270	COI LS-483A (C-14924)	

M.=Mounted side (T: Mounted on the Top side, B: Mounted on the Bottom side)
S.=Surface mount

[MAIN UNIT] (For other than [USA-2], [OTH-2], [CHN-1])

REF NO.	ORDER NO.	DESCRIPTION
C2021	4030006860	S.CER C1608 JB 1H 102K-T [USA]
	4030006860	S.CER C1608 JB 1H 102K-T [EUR]
	4030006860	S.CER C1608 JB 1H 102K-T [AUS]
	4030006860	S.CER C1608 JB 1H 102K-T [UK]
	4030006860	S.CER C1608 JB 1H 102K-T [DEN]
C2022	4030007080	S.CER C1608 CH 1H 390J-T [SEA]
	4030007080	S.CER C1608 CH 1H 390J-T [OTH]
	4030007080	S.CER C1608 CH 1H 390J-T [USA]
	4030007080	S.CER C1608 CH 1H 390J-T [EUR]
	4030007080	S.CER C1608 CH 1H 390J-T [AUS]
C2023	4030007020	S.CER C1608 CH 1H 120J-T [UK]
	4030007020	S.CER C1608 CH 1H 120J-T [DEN]
	4030007020	S.CER C1608 CH 1H 120J-T [SEA]
	4030007020	S.CER C1608 CH 1H 120J-T [OTH]
	4030007020	S.CER C1608 CH 1H 120J-T [USA]
C2024	4510008520	S.ELE EEE1CA470SP [EUR]
	4510008520	S.ELE EEE1CA470SP [AUS]
	4510008520	S.ELE EEE1CA470SP [UK]
	4510008520	S.ELE EEE1CA470SP [DEN]
	4510008520	S.ELE EEE1CA470SP [SEA]
C2031	4030006860	S.CER C1608 JB 1H 102K-T [USA]
	4030006860	S.CER C1608 JB 1H 102K-T [EUR]
	4030006860	S.CER C1608 JB 1H 102K-T [AUS]
	4030006860	S.CER C1608 JB 1H 102K-T [UK]
	4030006860	S.CER C1608 JB 1H 102K-T [DEN]
C2032	4030006860	S.CER C1608 JB 1H 102K-T [SEA]
	4030006860	S.CER C1608 JB 1H 102K-T [OTH]
	4030006860	S.CER C1608 JB 1H 102K-T [USA]
	4030006860	S.CER C1608 JB 1H 102K-T [EUR]
	4030006860	S.CER C1608 JB 1H 102K-T [AUS]
C2033	4030006860	S.CER C1608 JB 1H 102K-T [UK]
	4030006860	S.CER C1608 JB 1H 102K-T [DEN]
	4030006860	S.CER C1608 JB 1H 102K-T [SEA]
	4030006860	S.CER C1608 JB 1H 102K-T [OTH]
	4030006860	S.CER C1608 JB 1H 102K-T [USA]
C2034	4030006860	S.CER C1608 JB 1H 102K-T [EUR]
	4030006860	S.CER C1608 JB 1H 102K-T [AUS]
	4030006860	S.CER C1608 JB 1H 102K-T [UK]
	4030006860	S.CER C1608 JB 1H 102K-T [DEN]
	4030006860	S.CER C1608 JB 1H 102K-T [SEA]
C2035	4030011600	S.CER C1608 JB 1E 104K-T [OTH]
	4030011600	S.CER C1608 JB 1E 104K-T [USA]
	4030011600	S.CER C1608 JB 1E 104K-T [EUR]
	4030011600	S.CER C1608 JB 1E 104K-T [AUS]
	4030011600	S.CER C1608 JB 1E 104K-T [UK]
C2036	4030011600	S.CER C1608 JB 1E 104K-T [DEN]
	4030011600	S.CER C1608 JB 1E 104K-T [SEA]
	4030011600	S.CER C1608 JB 1E 104K-T [OTH]
	4030011600	S.CER C1608 JB 1E 104K-T [USA]
	4030011600	S.CER C1608 JB 1E 104K-T [EUR]
C2037	4030011600	S.CER C1608 JB 1E 104K-T [AUS]
	4030011600	S.CER C1608 JB 1E 104K-T [UK]
	4030011600	S.CER C1608 JB 1E 104K-T [DEN]
	4030011600	S.CER C1608 JB 1E 104K-T [SEA]
	4030011600	S.CER C1608 JB 1E 104K-T [OTH]
C2041	4030006860	S.CER C1608 JB 1H 102K-T [USA]
	4030006860	S.CER C1608 JB 1H 102K-T [EUR]
	4030006860	S.CER C1608 JB 1H 102K-T [AUS]
	4030006860	S.CER C1608 JB 1H 102K-T [UK]
	4030006860	S.CER C1608 JB 1H 102K-T [DEN]
C2042	4030006860	S.CER C1608 JB 1H 102K-T [SEA]
	4030006860	S.CER C1608 JB 1H 102K-T [OTH]
	4030006860	S.CER C1608 JB 1H 102K-T [USA]
	4030006860	S.CER C1608 JB 1H 102K-T [EUR]
	4030006860	S.CER C1608 JB 1H 102K-T [AUS]
C2051	4510008530	S.ELE EEE1HA2R2SR [UK]
	4510008530	S.ELE EEE1HA2R2SR [DEN]
	4510008530	S.ELE EEE1HA2R2SR [SEA]
	4510008530	S.ELE EEE1HA2R2SR [OTH]
	4510008530	S.ELE EEE1HA2R2SR [USA]
RL121	6330000180	REL MZ-12HG
RL141	6330000180	REL MZ-12HG

[MAIN UNIT] (For other than [USA-2], [OTH-2], [CHN-1])

REF NO.	ORDER NO.	DESCRIPTION
CP731	6910009670	S.CHE HK3-S-T
J101	6510021460	CON PT-C02P01
J111	6510007020	CON TMP-J01X-V6
J411	6510007020	CON TMP-J01X-V6
J491	6510007020	CON TMP-J01X-V6
J781	6450001560	CON PD-72
J782	6450001560	CON PD-72
J783	6450001560	CON PD-72
J784	6450001560	CON PD-72
J811	6510007020	CON TMP-J01X-V6
J881	6450001560	CON PD-72
J882	6450001560	CON PD-72
J883	6450001560	CON PD-72
J884	6450001560	CON PD-72
J1081	6510007020	CON TMP-J01X-V6
J1221	6510018971	S.CON B4B-PH-SM4-TB(LF)(SN)
J1231	6510019971	S.CON 52808-1071
J1271	6510019191	S.CON 52365-0871
J1311	6450001800	CON JPJ1044-01-010
J1321	6450000140	CON HSJ0807-01-010
J1351	6510023650	CON HEC0740-010618
J1501	6510019981	S.CON 52808-1671(1690)
J1521	6510019981	S.CON 52808-1671(1690)
J1522	6510021861	CON BH-800.4GG <LTC>
J1541	6510019981	S.CON 52808-1671(1690)
J1561	6510019981	S.CON 52808-1671(1690)
J1701	6450000140	CON HSJ0807-01-010
J1751	6510021241	CON DELC-J9SAF-23L9E
F1351	5210000051	FUS FGB 3A PBF (FGB0 125V)
F1352	5220000230	HOL S-N5054 #01
F1353	5220000230	HOL S-N5054 #01
BT1521	3020000110	LIT CR-2032L/BK

M.=Mounted side (T: Mounted on the Top side, B: Mounted on the Bottom side)
S.=Surface mount

[DISPLAY UNIT]

REF NO.	ORDER NO.	DESCRIPTION
IC101	1130013870	S.IC NJU6445FCI-#ZZZB
IC102	1130003831	S.IC TC7S04F(TE85R,F)
IC103	1130008511	S.IC TC7W53FU(TE12L,F)
Q11	1530002851	S.TRA 2SC4116-BL(TE85R,F)
Q21	1530002851	S.TRA 2SC4116-BL(TE85R,F)
Q31	1530002851	S.TRA 2SC4116-BL(TE85R,F)
Q41	1530002851	S.TRA 2SC4116-BL(TE85R,F)
Q51	1530002851	S.TRA 2SC4116-BL(TE85R,F)
Q61	1530002851	S.TRA 2SC4116-BL(TE85R,F)
Q71	1530002851	S.TRA 2SC4116-BL(TE85R,F)
Q81	1530002851	S.TRA 2SC4116-BL(TE85R,F)
R11	7030000320	S.RES MCR10EZJH 330 (331)
R12	7030000360	S.RES ERJ3GEYJ 221 V (220)
R21	7030000320	S.RES MCR10EZJH 330 (331)
R22	7030000360	S.RES ERJ3GEYJ 221 V (220)
R31	7030000320	S.RES MCR10EZJH 330 (331)
R32	7030000360	S.RES ERJ3GEYJ 221 V (220)
R41	7030000320	S.RES MCR10EZJH 330 (331)
R42	7030000360	S.RES ERJ3GEYJ 221 V (220)
R51	7030000320	S.RES MCR10EZJH 330 (331)
R52	7030000360	S.RES ERJ3GEYJ 221 V (220)
R61	7030000320	S.RES MCR10EZJH 330 (331)
R62	7030000360	S.RES ERJ3GEYJ 221 V (220)
R71	7030000320	S.RES MCR10EZJH 330 (331)
R72	7030000360	S.RES ERJ3GEYJ 221 V (220)
R81	7030000320	S.RES MCR10EZJH 330 (331)
R82	7030000360	S.RES ERJ3GEYJ 221 V (220)
C101	4030008630	S.CER C1608 JF 1H 104Z-T
C103	4030008630	S.CER C1608 JF 1H 104Z-T
C104	4030008630	S.CER C1608 JF 1H 104Z-T
C105	4030008630	S.CER C1608 JF 1H 104Z-T
C106	4030008630	S.CER C1608 JF 1H 104Z-T
J101	6510019981	S.CON 52808-1671(1690)
DS11	5040002940	S.LED TLYU1002A(T02)
DS12	5040002940	S.LED TLYU1002A(T02)
DS13	5040002940	S.LED TLYU1002A(T02)
DS21	5040002940	S.LED TLYU1002A(T02)
DS22	5040002940	S.LED TLYU1002A(T02)
DS23	5040002940	S.LED TLYU1002A(T02)
DS31	5040002940	S.LED TLYU1002A(T02)
DS32	5040002940	S.LED TLYU1002A(T02)
DS33	5040002940	S.LED TLYU1002A(T02)
DS41	5040002940	S.LED TLYU1002A(T02)
DS42	5040002940	S.LED TLYU1002A(T02)
DS43	5040002940	S.LED TLYU1002A(T02)
DS51	5040002940	S.LED TLYU1002A(T02)
DS52	5040002940	S.LED TLYU1002A(T02)
DS53	5040002940	S.LED TLYU1002A(T02)
DS61	5040002940	S.LED TLYU1002A(T02)
DS62	5040002940	S.LED TLYU1002A(T02)
DS63	5040002940	S.LED TLYU1002A(T02)
DS71	5040002940	S.LED TLYU1002A(T02)
DS72	5040002940	S.LED TLYU1002A(T02)
DS73	5040002940	S.LED TLYU1002A(T02)
DS81	5040002940	S.LED TLYU1002A(T02)
DS82	5040002940	S.LED TLYU1002A(T02)
DS83	5040002940	S.LED TLYU1002A(T02)
DS101	5030001690	LCD HLC7395-012400
EP2	8930049631	LCD SRCN-2240-SP-N-W-1 (SHJ)

[MAIN-A UNIT] (For [USA-2], [OTH-2], [CHN-1])

REF NO.	ORDER NO.	DESCRIPTION
WS1	8600036540	CBL RX2240 P1241*J1241MA
IC551	1130011760	S.IC CD4094BPWR
IC552	1130011760	S.IC CD4094BPWR
IC561	1160000131	S.IC TD62783AFG(5,S,EL)
IC562	1160000131	S.IC TD62783AFG(5,S,EL)
IC731	1110003141	IC LA1150N-E
IC811	1110002601	S.IC MC1496DR2G
IC1001	1110007320	S.IC NJM2591V-TE1-#ZZZB
IC1101	1110002601	S.IC MC1496DR2G
IC1201	1130009100	S.IC BU4052BCFV-E2
IC1211	1110003870	S.IC NJM2058M-TE1-#ZZZB
IC1251	1110003300	S.IC M5282FP 70CD
IC1281	1130009100	S.IC BU4052BCFV-E2
IC1291	1110003091	IC LA4425A-E
IC1361	1180000970	S.IC AN78L05M-(E1)
IC1371	1180001531	IC PQ30RV31J00H
IC1391	1180001252	S.IC TA7808F(TE16L1,NQ)
IC1401	1180001072	S.IC TA7805F(TE16L1,NQ)
IC1411	1110001401	S.IC UPC1555G2-E1-A
IC1601	1130011760	S.IC CD4094BPWR
IC1602	1130011760	S.IC CD4094BPWR
IC1603	1160000131	S.IC TD62783AFG(5,S,EL)
IC1751	1120002510	S.IC DS14C232TM S
IC1771	1130005721	S.IC TC7W04F(TE12L,F)
Q151	1590000680	S.TRA DTC114EUA T106
Q381	1560000721	S.FET 2SK2171-4-TD-E
Q382	1560000721	S.FET 2SK2171-4-TD-E
Q383	1590001960	S.TRA XP4311(TX)
Q391	1590001960	S.TRA XP4311(TX)
Q392	1530000371	S.TRA 2SC3356-T1B S (R25)
Q411	1530003151	S.TRA 2SC4673D-TD-E
Q441	1560000641	S.FET 2SK1740-4/5-TB-E
Q442	1560000641	S.FET 2SK1740-4/5-TB-E
Q471	1580000620	S.FET 3SK131-T2 MAS
Q472	1590001960	S.TRA XP4311(TX)
Q721	1580000620	S.FET 3SK131-T2 MAS
Q731	1560000561	S.FET 2SK882-GR(TE85L,F)
Q732	1510000510	S.TRA 2SA1576A T106R
Q733	1530002060	S.TRA 2SC4081 T106 R
Q734	1530002060	S.TRA 2SC4081 T106 R
Q735	1530002060	S.TRA 2SC4081 T106 R
Q736	1590000680	S.TRA DTC114EUA T106
Q737	1590001960	S.TRA XP4311(TX)
Q801	1530002060	S.TRA 2SC4081 T106 R
Q891	1580000620	S.FET 3SK131-T2 MAS
Q911	1560000561	S.FET 2SK882-GR(TE85L,F)
Q912	1530002060	S.TRA 2SC4081 T106 R
Q1001	1560000561	S.FET 2SK882-GR(TE85L,F)
Q1031	1530002060	S.TRA 2SC4081 T106 R
Q1051	1530002060	S.TRA 2SC4081 T106 R
Q1061	1590001960	S.TRA XP4311(TX)
Q1063	1530002060	S.TRA 2SC4081 T106 R
Q1064	1590001960	S.TRA XP4311(TX)
Q1065	1590001960	S.TRA XP4311(TX)
Q1066	1590001960	S.TRA XP4311(TX)
Q1311	1530002060	S.TRA 2SC4081 T106 R
Q1381	1540000550	S.TRA 2SD1664 T100Q
Q1382	1590000680	S.TRA DTC114EUA T106
Q1771	1510000510	S.TRA 2SA1576A T106R
Q1772	1530002060	S.TRA 2SC4081 T106 R
D121	1790000620	S.DIO MA77(TX)
D141	1750000461	S.DIO 1SV246-TL-E
D142	1750000461	S.DIO 1SV246-TL-E
D143	1790000620	S.DIO MA77(TX)
D151	1750000971	S.DIO CPH5513-TL-E
D172	1790000620	S.DIO MA77(TX)
D181	1750000971	S.DIO CPH5513-TL-E
D182	1790000620	S.DIO MA77(TX)
D202	1790000620	S.DIO MA77(TX)
D221	1750000971	S.DIO CPH5513-TL-E
D222	1790000620	S.DIO MA77(TX)
D242	1790000620	S.DIO MA77(TX)
D261	1750000971	S.DIO CPH5513-TL-E
D262	1790000620	S.DIO MA77(TX)
D282	1790000620	S.DIO MA77(TX)
D301	1750000971	S.DIO CPH5513-TL-E
D302	1790000620	S.DIO MA77(TX)
D322	1790000620	S.DIO MA77(TX)
D341	1750000441	S.DIO 1SV263-TL-E
D342	1790000620	S.DIO MA77(TX)
D371	1790000620	S.DIO MA77(TX)
D372	1790000620	S.DIO MA77(TX)
D381	1790000620	S.DIO MA77(TX)
D382	1790000620	S.DIO MA77(TX)
D391	1790000620	S.DIO MA77(TX)
D392	1790000620	S.DIO MA77(TX)
D491	1750000431	S.DIO HSB88WSTR-E
D711	1790000620	S.DIO MA77(TX)
D712	1790000620	S.DIO MA77(TX)
D713	1790000620	S.DIO MA77(TX)
D714	1790000620	S.DIO MA77(TX)
D731	1790001211	S.DIO 1SS375-TL-E
D732	1750000550	S.DIO 1SS355 TE-17
D761	1790000620	S.DIO MA77(TX)
D762	1790000620	S.DIO MA77(TX)
D763	1790000620	S.DIO MA77(TX)
D764	1790000620	S.DIO MA77(TX)
D771	1790000620	S.DIO MA77(TX)

M.=Mounted side (T: Mounted on the Top side, B: Mounted on the Bottom side)
S.=Surface mount

[MAIN-A UNIT] (For [USA-2], [OTH-2], [CHN-1])

REF NO.	ORDER NO.	DESCRIPTION
D772	1790000620	S.DIO MA77(TX)
D773	1790000620	S.DIO MA77(TX)
D774	1790000620	S.DIO MA77(TX)
D781	1790000620	S.DIO MA77(TX)
D782	1790000620	S.DIO MA77(TX)
D783	1790000620	S.DIO MA77(TX)
D784	1790000620	S.DIO MA77(TX)
D831	1750000301	S.DIO 1SS302(TE85R,F)
D851	1790000620	S.DIO MA77(TX)
D852	1790000620	S.DIO MA77(TX)
D861	1790000620	S.DIO MA77(TX)
D862	1790000620	S.DIO MA77(TX)
D871	1790000620	S.DIO MA77(TX)
D872	1790000620	S.DIO MA77(TX)
D881	1790000620	S.DIO MA77(TX)
D882	1790000620	S.DIO MA77(TX)
D1041	1790001211	S.DIO 1SS375-TL-E
D1051	1790001211	S.DIO 1SS375-TL-E
D1061	1790001211	S.DIO 1SS375-TL-E
D1311	1750000550	S.DIO 1SS355 TE-17
D1351	1790000700	DIO DSA3A1
D1371	1750000550	S.DIO 1SS355 TE-17
D1381	1750000301	S.DIO 1SS302(TE85R,F)
D1412	1750000301	S.DIO 1SS302(TE85R,F)
D1413	1730002321	S.ZEN MAZ8051GML
D1771	1750000550	S.DIO 1SS355 TE-17
FI461	2010002090	FIL UM-5 69.0115 MHz (FL-261)
FI701	2010000270	FIL 9M15A (FL-23)
FI761	2010002130	D.F 9M22D4 9.0115 MHz (FL-272)
FI851	2020000210	CER CFJ455K5 (FL-65)
FI861	2020002510	CER LTW450HT <JJE>
FI871	2020002250	CER LT450EW <JJE>
X1001	6070000300	S.DIS JTBM450CX24 <JJE>
L101	6140002070	COI LR-233
L131	6200003431	S.COI NLV32T-R10J
L132	6200003421	S.COI NLV32T-R15J
L151	6200005491	S.COI NLV32T-331J
L161	6200005491	S.COI NLV32T-331J
L162	6180003550	COI SP0406-4R7K-6
L163	6180003560	COI SP0406-5R6K-6
L171	6200005491	S.COI NLV32T-331J
L172	6200002961	S.COI NLV32T-4R7J
L173	6200003111	S.COI NLV32T-6R8J
L181	6200005491	S.COI NLV32T-331J
L182	6200003091	S.COI NLV32T-2R7J
L183	6200003101	S.COI NLV32T-3R9J
L184	6200005491	S.COI NLV32T-331J
L201	6200005491	S.COI NLV32T-331J
L202	6200002991	S.COI NLV32T-2R2J
L203	6200002991	S.COI NLV32T-2R2J
L204	6200003321	S.COI NLV32T-3R3J
L205	6200002961	S.COI NLV32T-4R7J
L221	6200003241	S.COI NLV32T-221J
L222	6200003081	S.COI NLV32T-1R8J
L223	6200003061	S.COI NLV32T-1R2J
L224	6200003071	S.COI NLV32T-1R5J
L225	6200003071	S.COI NLV32T-1R5J
L241	6200003241	S.COI NLV32T-221J
L242	6200003061	S.COI NLV32T-1R2J
L243	6200003331	S.COI NLV32T-1R0J
L244	6200003331	S.COI NLV32T-1R0J
L245	6200003081	S.COI NLV32T-1R8J
L261	6200003241	S.COI NLV32T-221J
L262	6200003251	S.COI NLV32T-R39J
L263	6200002981	S.COI NLV32T-R56J
L264	6200003041	S.COI NLV32T-R68J
L265	6200003331	S.COI NLV32T-1R0J
L281	6200001831	S.COI NLV32T-100J
L282	6200003021	S.COI NLV32T-R33J
L283	6200003251	S.COI NLV32T-R39J
L284	6200003031	S.COI NLV32T-R47J
L285	6200003031	S.COI NLV32T-R47J
L301	6200001831	S.COI NLV32T-100J
L302	6200003021	S.COI NLV32T-R33J
L303	6200003011	S.COI NLV32T-R27J
L304	6200003021	S.COI NLV32T-R33J
L305	6200003031	S.COI NLV32T-R47J
L321	6200001831	S.COI NLV32T-100J
L322	6200003001	S.COI NLV32T-R22J
L323	6200003421	S.COI NLV32T-R15J
L324	6180002961	S.COI NLV32T-R18J
L325	6200003001	S.COI NLV32T-R22J
L326	6200003001	S.COI NLV32T-R22J
L341	6200001831	S.COI NLV32T-100J
L342	6200001471	S.COI NLV32T-R12J
L343	6200003421	S.COI NLV32T-R15J
L345	6200003421	S.COI NLV32T-R15J
L346	6200001471	S.COI NLV32T-R12J
L361	6200005491	S.COI NLV32T-331J
L362	6200005491	S.COI NLV32T-331J
L371	6200003241	S.COI NLV32T-221J
L381	6140000640	COI LR-86
L382	6200003071	S.COI NLV32T-1R5J
L383	6140003530	COI LR-395
L384	6200005491	S.COI NLV32T-331J
L385	6170000291	COI LW-30-LF
L391	6200003241	S.COI NLV32T-221J
L392	6140004760	S.COI LR-536 4KBL-S090150

[MAIN-A UNIT] (For [USA-2], [OTH-2], [CHN-1])

REF NO.	ORDER NO.	DESCRIPTION
L393	6140004760	S.COI LR-536 4KBL-S090150
L394	6180003760	COI SP0406-102J-PF
L395	6200002041	S.COI NLV25T-101J
L396	6200003241	S.COI NLV32T-221J
L401	6200005491	S.COI NLV32T-331J
L411	6200003001	S.COI NLV32T-R22J
L412	6200003021	S.COI NLV32T-R33J
L413	6200001831	S.COI NLV32T-100J
L421	6200003431	S.COI NLV32T-R10J
L422	6200003421	S.COI NLV32T-R15J
L431	6200003431	S.COI NLV32T-R10J
L432	6200003421	S.COI NLV32T-R15J
L441	6140003530	COI LR-395
L442	6200003431	S.COI NLV32T-R10J
L443	6150004270	COI LS-483A (C-14924)
L444	6200001831	S.COI NLV32T-100J
L461	6150004270	COI LS-483A (C-14924)
L462	6150004270	COI LS-483A (C-14924)
L471	6150004280	COI LS-484B (C-14927)
L491	6140002810	S.COI LR-317
L492	6140002810	S.COI LR-317
L701	6150000711	COI LS-452
L711	6150000711	COI LS-452
L712	6150000711	COI LS-452
L721	6200001831	S.COI NLV32T-100J
L731	6150004050	COI LS-466
L732	6150004050	COI LS-466
L733	6200003241	S.COI NLV32T-221J
L891	6150002291	COI LS-450
L892	6150002291	COI LS-450
L911	6150002291	COI LS-450
L1001	6200003241	S.COI NLV32T-221J
L1291	6180003640	COI SZW1012T-142-0.3
L1311	6200003241	S.COI NLV32T-221J
L1411	6200003241	S.COI NLV32T-221J
L1412	6200005491	S.COI NLV32T-331J
L1771	6200003241	S.COI NLV32T-221J
R101	7030003640	S.RES ERJ3GEYJ 473 V (47K)
R102	7540000090	ABS DSP-201M-S00B
R111	7030003640	S.RES ERJ3GEYJ 473 V (47K)
R112	7540000090	ABS DSP-201M-S00B
R121	7030003360	S.RES ERJ3GEYJ 221 V (220)
R141	7030003480	S.RES ERJ3GEYJ 222 V (2.2K)
R142	7030003400	S.RES ERJ3GEYJ 471 V (470)
R143	7030003380	S.RES ERJ3GEYJ 331 V (330)
R144	7030003300	S.RES ERJ3GEYJ 680 V (68)
R145	7030003360	S.RES ERJ3GEYJ 221 V (220)
R151	7030006260	S.RES ERJ12YJ471U (470)
R152	7030003560	S.RES ERJ3GEYJ 103 V (10K)
R171	7030003370	S.RES ERJ3GEYJ 271 V (270)
R172	7030003230	S.RES ERJ3GEYJ 180 V (18)
R173	7030003370	S.RES ERJ3GEYJ 271 V (270)
R174	7030003200	S.RES ERJ3GEYJ 100 V (10)
R181	7030003320	S.RES ERJ3GEYJ 101 V (100)
R201	7030003320	S.RES ERJ3GEYJ 101 V (100)
R221	7030003320	S.RES ERJ3GEYJ 101 V (100)
R241	7030003320	S.RES ERJ3GEYJ 101 V (100)
R261	7030003320	S.RES ERJ3GEYJ 101 V (100)
R281	7030003320	S.RES ERJ3GEYJ 101 V (100)
R301	7030003320	S.RES ERJ3GEYJ 101 V (100)
R321	7030003320	S.RES ERJ3GEYJ 101 V (100)
R341	7030003320	S.RES ERJ3GEYJ 101 V (100)
R361	7030006260	S.RES ERJ12YJ471U (470)
R362	7030006260	S.RES ERJ12YJ471U (470)
R371	7030003320	S.RES ERJ3GEYJ 101 V (100)
R372	7030003320	S.RES ERJ3GEYJ 101 V (100)
R381	7030003320	S.RES ERJ3GEYJ 101 V (100)
R382	7030003280	S.RES ERJ3GEYJ 470 V (47)
R383	7030003280	S.RES ERJ3GEYJ 470 V (47)
R384	7030003320	S.RES ERJ3GEYJ 101 V (100)
R385	7030003320	S.RES ERJ3GEYJ 101 V (100)
R386	7030003320	S.RES ERJ3GEYJ 101 V (100)
R391	7030003320	S.RES ERJ3GEYJ 101 V (100)
R392	7030003490	S.RES ERJ3GEYJ 272 V (2.7K)
R393	7030003460	S.RES ERJ3GEYJ 152 V (1.5K)
R394	7030003280	S.RES ERJ3GEYJ 470 V (47)
R395	7030003320	S.RES ERJ3GEYJ 101 V (100)
R396	7030003280	S.RES ERJ3GEYJ 470 V (47)
R401	7030006260	S.RES ERJ12YJ471U (470)
R411	7030003300	S.RES ERJ3GEYJ 680 V (68)
R412	7030003520	S.RES ERJ3GEYJ 472 V (4.7K)
R413	7030003410	S.RES ERJ3GEYJ 561 V (560)
R414	7030003200	S.RES ERJ3GEYJ 100 V (10)
R415	7030003280	S.RES ERJ3GEYJ 470 V (47)
R419	7030000010	S.RES MCR10EZHJ JPV (000)
R442	7030003410	S.RES ERJ3GEYJ 561 V (560)
R443	7030003410	S.RES ERJ3GEYJ 561 V (560)
R444	7310005580	S.TRI TMC3ADCS3X (4.7K)
R445	7030003280	S.RES ERJ3GEYJ 470 V (47)
R446	7030003560	S.RES ERJ3GEYJ 103 V (10K)
R447	7030003280	S.RES ERJ3GEYJ 470 V (47)
R448	7030003400	S.RES ERJ3GEYJ 471 V (470)
R449	7030003320	S.RES ERJ3GEYJ 101 V (100)
R471	7030003760	S.RES ERJ3GEYJ 474 V (470K)
R472	7030003280	S.RES ERJ3GEYJ 470 V (47)
R473	7030003200	S.RES ERJ3GEYJ 100 V (10)
R474	7030003520	S.RES ERJ3GEYJ 472 V (4.7K)
R475	7030003580	S.RES ERJ3GEYJ 153 V (15K)
R476	7030003480	S.RES ERJ3GEYJ 222 V (2.2K)
R477	7030003340	S.RES ERJ3GEYJ 151 V (150)
R478	7030003480	S.RES ERJ3GEYJ 222 V (2.2K)
R479	7030003280	S.RES ERJ3GEYJ 470 V (47)

M.=Mounted side (T: Mounted on the Top side, B: Mounted on the Bottom side)
S.=Surface mount

[MAIN-A UNIT] (For [USA-2], [OTH-2], [CHN-1])

REF NO.	ORDER NO.	DESCRIPTION
C731	4030006880	S.CER C1608 JB 1H 472K-T
C732	4030006880	S.CER C1608 JB 1H 472K-T
C733	4030006880	S.CER C1608 JB 1H 472K-T
C734	4030011600	S.CER C1608 JB 1E 104K-T
C735	4030006880	S.CER C1608 JB 1H 472K-T
C736	4030006880	S.CER C1608 JB 1H 472K-T
C737	4030011600	S.CER C1608 JB 1E 104K-T
C738	4030007150	S.CER C1608 CH 1H 151J-T
C739	4510009270	S.ELE EEEHB1C220UR
C740	4030007050	S.CER C1608 CH 1H 220J-T
C741	4510008520	S.ELE EEE1CA470SP
C742	4030011600	S.CER C1608 JB 1E 104K-T
C743	4510008540	S.ELE EEE1CA100SR
C761	4030011600	S.CER C1608 JB 1E 104K-T
C762	4030011600	S.CER C1608 JB 1E 104K-T
C771	4030011600	S.CER C1608 JB 1E 104K-T
C772	4030011600	S.CER C1608 JB 1E 104K-T
C773	4030007030	S.CER C1608 CH 1H 150J-T
C781	4030011600	S.CER C1608 JB 1E 104K-T
C782	4030011600	S.CER C1608 JB 1E 104K-T
C791	4030011600	S.CER C1608 JB 1E 104K-T
C792	4030011600	S.CER C1608 JB 1E 104K-T
C801	4030011600	S.CER C1608 JB 1E 104K-T
C811	4030006880	S.CER C1608 JB 1H 472K-T
C813	4030011600	S.CER C1608 JB 1E 104K-T
C814	4030011600	S.CER C1608 JB 1E 104K-T
C816	4030006880	S.CER C1608 JB 1H 472K-T
C818	4030011600	S.CER C1608 JB 1E 104K-T
C831	4030008650	S.CER C1608 JB 1H 332K-T
C841	4030006880	S.CER C1608 JB 1H 472K-T
C851	4030011600	S.CER C1608 JB 1E 104K-T
C852	4030011600	S.CER C1608 JB 1E 104K-T
C861	4030011600	S.CER C1608 JB 1E 104K-T
C862	4030011600	S.CER C1608 JB 1E 104K-T
C871	4030011600	S.CER C1608 JB 1E 104K-T
C872	4030011600	S.CER C1608 JB 1E 104K-T
C881	4030011600	S.CER C1608 JB 1E 104K-T
C882	4030011600	S.CER C1608 JB 1E 104K-T
C891	4030011600	S.CER C1608 JB 1E 104K-T
C892	4030006880	S.CER C1608 JB 1H 472K-T
C893	4030006880	S.CER C1608 JB 1H 472K-T
C894	4030011600	S.CER C1608 JB 1E 104K-T
C895	4030007050	S.CER C1608 CH 1H 220J-T
C896	4030011600	S.CER C1608 JB 1E 104K-T
C897	4030006880	S.CER C1608 JB 1H 472K-T
C911	4030011600	S.CER C1608 JB 1E 104K-T
C912	4030007170	S.CER C1608 CH 1H 221J-T
C913	4030011600	S.CER C1608 JB 1E 104K-T
C914	4510008530	S.ELE EEE1HA2R2SR
C1001	4030011600	S.CER C1608 JB 1E 104K-T
C1002	4030006880	S.CER C1608 JB 1H 472K-T
C1003	4030011600	S.CER C1608 JB 1E 104K-T
C1004	4030007170	S.CER C1608 CH 1H 221J-T
C1005	4030007170	S.CER C1608 CH 1H 221J-T
C1006	4030006880	S.CER C1608 JB 1H 472K-T
C1007	4030007130	S.CER C1608 CH 1H 101J-T
C1008	4510008540	S.ELE EEE1CA100SR
C1009	4030011600	S.CER C1608 JB 1E 104K-T
C1010	4030011600	S.CER C1608 JB 1E 104K-T
C1021	4030011600	S.CER C1608 JB 1E 104K-T
C1022	4030008880	S.CER C1608 JB 1H 223K-T
C1023	4030009880	S.CER C1608 JB 1H 682K-T
C1024	4030011600	S.CER C1608 JB 1E 104K-T
C1031	4030011600	S.CER C1608 JB 1E 104K-T
C1041	4030006880	S.CER C1608 JB 1H 472K-T
C1042	4030006880	S.CER C1608 JB 1H 472K-T
C1043	4030006880	S.CER C1608 JB 1H 472K-T
C1044	4030011600	S.CER C1608 JB 1E 104K-T
C1051	4510008540	S.ELE EEE1CA100SR
C1061	4030006880	S.CER C1608 JB 1H 472K-T
C1062	4030007130	S.CER C1608 CH 1H 101J-T
C1063	4510008540	S.ELE EEE1CA100SR
C1064	4030011600	S.CER C1608 JB 1E 104K-T
C1065	4510008540	S.ELE EEE1CA100SR
C1066	4510008530	S.ELE EEE1HA2R2SR
C1067	4510009270	S.ELE EEEHB1C220UR
C1081	4030006880	S.CER C1608 JB 1H 472K-T
C1085	4030006880	S.CER C1608 JB 1H 472K-T
C1089	4030006880	S.CER C1608 JB 1H 472K-T
C1090	4030011600	S.CER C1608 JB 1E 104K-T
C1101	4030011600	S.CER C1608 JB 1E 104K-T
C1102	4030011600	S.CER C1608 JB 1E 104K-T
C1103	4030011600	S.CER C1608 JB 1E 104K-T
C1201	4030006900	S.CER C1608 JB 1H 103K-T
C1202	4030006900	S.CER C1608 JB 1H 103K-T
C1211	4030010020	S.CER C1608 JB 1H 122K-T
C1212	4030006860	S.CER C1608 JB 1H 102K-T
C1213	4030008650	S.CER C1608 JB 1H 332K-T
C1214	4030006850	S.CER C1608 JB 1H 471K-T
C1215	4030011600	S.CER C1608 JB 1E 104K-T
C1216	4030011600	S.CER C1608 JB 1E 104K-T
C1217	4030011600	S.CER C1608 JB 1E 104K-T
C1231	4030006880	S.CER C1608 JB 1H 472K-T
C1251	4030011600	S.CER C1608 JB 1E 104K-T
C1253	4030010760	S.CER C1608 CH 1H 331J-T
C1254	4510008530	S.ELE EEE1HA2R2SR
C1255	4030006900	S.CER C1608 JB 1H 103K-T
C1256	4030011600	S.CER C1608 JB 1E 104K-T
C1257	4510008540	S.ELE EEE1CA100SR
C1258	4510008540	S.ELE EEE1CA100SR
C1259	4510008540	S.ELE EEE1CA100SR
C1260	4510008540	S.ELE EEE1CA100SR
C1261	4510008540	S.ELE EEE1CA100SR
C1262	4510008530	S.ELE EEE1HA2R2SR

[MAIN-A UNIT] (For [USA-2], [OTH-2], [CHN-1])

REF NO.	ORDER NO.	DESCRIPTION
C1271	4030006880	S.CER C1608 JB 1H 472K-T
C1272	4030011600	S.CER C1608 JB 1E 104K-T
C1281	4030006900	S.CER C1608 JB 1H 103K-T
C1282	4030006900	S.CER C1608 JB 1H 103K-T
C1292	4510008540	S.ELE EEE1CA100SR
C1293	4030011600	S.CER C1608 JB 1E 104K-T
C1294	4030011600	S.CER C1608 JB 1E 104K-T
C1295	4510004591	ELE 16 ME 470 HC
C1296	4510004591	ELE 16 ME 470 HC
C1311	4030006900	S.CER C1608 JB 1H 103K-T
C1312	4030006900	S.CER C1608 JB 1H 103K-T
C1321	4030006900	S.CER C1608 JB 1H 103K-T
C1322	4030006860	S.CER C1608 JB 1H 102K-T
C1351	4030006900	S.CER C1608 JB 1H 103K-T
C1352	4030006900	S.CER C1608 JB 1H 103K-T
C1353	4510004510	ELE 25 ME 470 HC
C1361	4510008530	S.ELE EEE1HA2R2SR
C1362	4030011600	S.CER C1608 JB 1E 104K-T
C1363	4030011600	S.CER C1608 JB 1E 104K-T
C1364	4030011600	S.CER C1608 JB 1E 104K-T
C1365	4510008540	S.ELE EEE1CA100SR
C1371	4510008530	S.ELE EEE1HA2R2SR
C1372	4030011600	S.CER C1608 JB 1E 104K-T
C1373	4030011600	S.CER C1608 JB 1E 104K-T
C1374	4030011600	S.CER C1608 JB 1E 104K-T
C1375	4510004591	ELE 16 ME 470 HC
C1376	4030019180	S.CER TMK212BJ105KG-T
C1381	4030011600	S.CER C1608 JB 1E 104K-T
C1382	4030011600	S.CER C1608 JB 1E 104K-T
C1391	4510004591	ELE 16 ME 470 HC
C1392	4030011600	S.CER C1608 JB 1E 104K-T
C1393	4030011600	S.CER C1608 JB 1E 104K-T
C1394	4510008540	S.ELE EEE1CA100SR
C1401	4510008540	S.ELE EEE1CA100SR
C1402	4030011600	S.CER C1608 JB 1E 104K-T
C1403	4030011600	S.CER C1608 JB 1E 104K-T
C1404	4510008540	S.ELE EEE1CA100SR
C1411	4030011600	S.CER C1608 JB 1E 104K-T
C1412	4510008520	S.ELE EEE1CA470SP
C1413	4030011600	S.CER C1608 JB 1E 104K-T
C1414	4510009270	S.ELE EEEHB1C220UR
C1415	4030006860	S.CER C1608 JB 1H 102K-T
C1416	4030006900	S.CER C1608 JB 1H 103K-T
C1417	4510008520	S.ELE EEE1CA470SP
C1418	4510008520	S.ELE EEE1CA470SP
C1419	4030011600	S.CER C1608 JB 1E 104K-T
C1420	4510008540	S.ELE EEE1CA100SR
C1421	4030011600	S.CER C1608 JB 1E 104K-T
C1422	4510008520	S.ELE EEE1CA470SP
C1502	4030006880	S.CER C1608 JB 1H 472K-T
C1521	4030006880	S.CER C1608 JB 1H 472K-T
C1601	4030011600	S.CER C1608 JB 1E 104K-T
C1602	4030011600	S.CER C1608 JB 1E 104K-T
C1603	4030011600	S.CER C1608 JB 1E 104K-T
C1751	4510008540	S.ELE EEE1CA100SR
C1752	4510008540	S.ELE EEE1CA100SR
C1753	4510008540	S.ELE EEE1CA100SR
C1754	4510008540	S.ELE EEE1CA100SR
C1755	4510008540	S.ELE EEE1CA100SR
C1756	4030011600	S.CER C1608 JB 1E 104K-T
C1771	4030011600	S.CER C1608 JB 1E 104K-T
RL121	6330001721	REL ATN207-K1
RL141	6330001721	REL ATN207-K1
CP731	6910009670	S.CHE HK3-S-T
J101	6510021460	CON PT-C02P01
J111	6510007020	CON TMP-J01X-V6
J411	6510007020	CON TMP-J01X-V6
J491	6510007020	CON TMP-J01X-V6
J781	6450001560	CON PD-72
J782	6450001560	CON PD-72
J783	6450001560	CON PD-72
J784	6450001560	CON PD-72
J811	6510007020	CON TMP-J01X-V6
J881	6450001560	CON PD-72
J882	6450001560	CON PD-72
J883	6450001560	CON PD-72
J884	6450001560	CON PD-72
J1081	6510007020	CON TMP-J01X-V6
J1221	6510018971	S.CON B4B-PH-SM4-TB(LF)(SN)
J1231	6510019971	S.CON 52808-1071
J1271	6510019191	S.CON 52365-0871
J1311	6450001800	CON JPJ1044-01-010
J1321	6450000140	CON HSJ0807-01-010
J1351	6510023650	CON HEC0740-010618
J1501	6510019981	S.CON 52808-1671(1690)
J1521	6510019981	S.CON 52808-1671(1690)
J1522	6510021861	CON BH-800.4GG <LTC>
J1541	6510019981	S.CON 52808-1671(1690)
J1561	6510019981	S.CON 52808-1671(1690)
J1701	6450000140	CON HSJ0807-01-010
J1751	6510021241	CON DELC-J9SAF-23L9E
F1351	5210000051	FUS FGB 3A PBF (FGB0 125V)
F1352	5220000230	HOL S-N5054 #01
F1353	5220000230	HOL S-N5054 #01

M.=Mounted side (T: Mounted on the Top side, B: Mounted on the Bottom side)
S.=Surface mount

[MAIN-A UNIT] (For [USA-2], [OTH-2], [CHN-1])

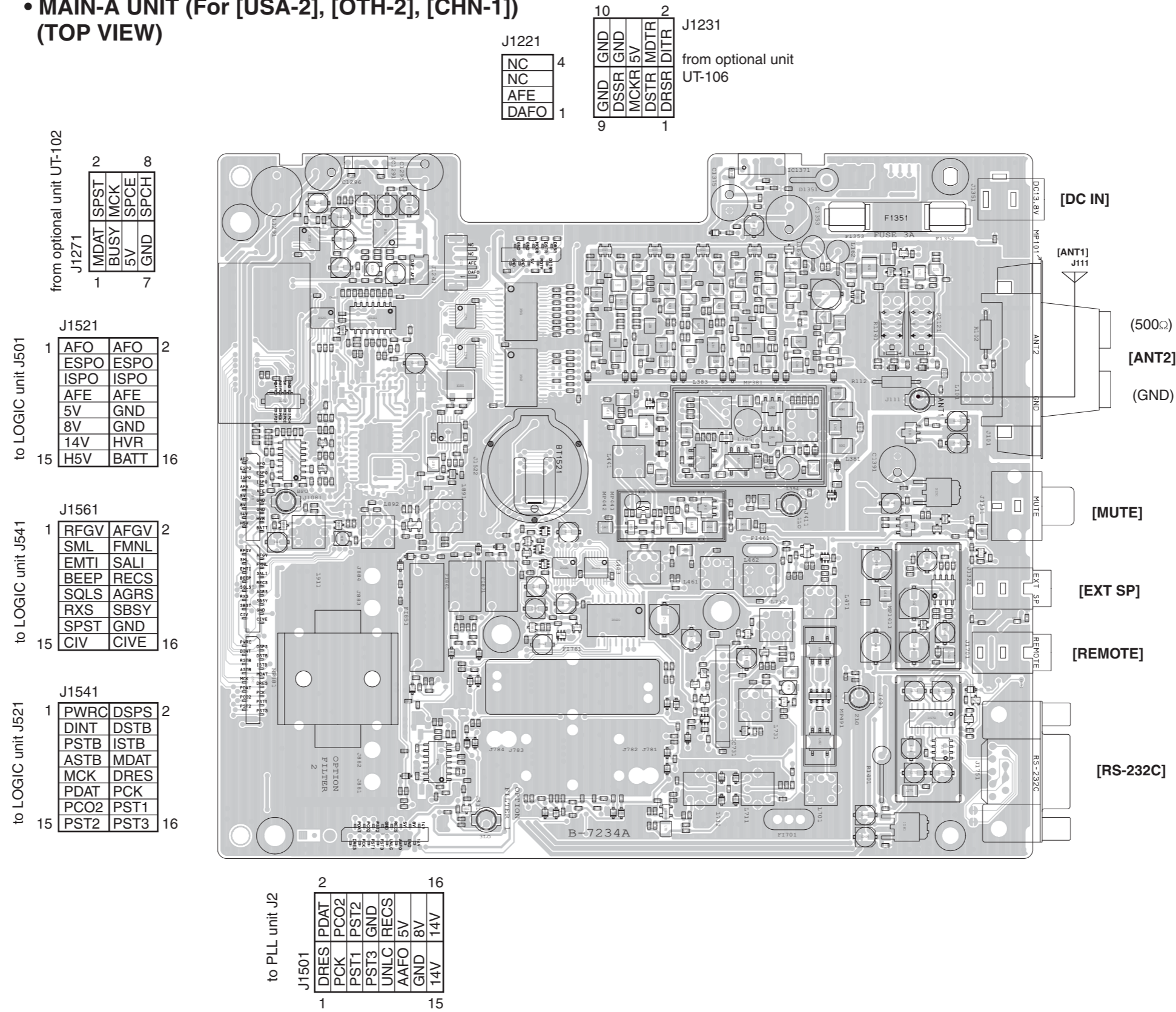
REF NO.	ORDER NO.	DESCRIPTION
BT1521	3020000110	LIT CR-2032L/BK
EP1321	6910014690	S.BEA MPZ1608S221A-T
EP1322	6910014690	S.BEA MPZ1608S221A-T

M.=Mounted side (T: Mounted on the Top side, B: Mounted on the Bottom side)
 S.=Surface mount

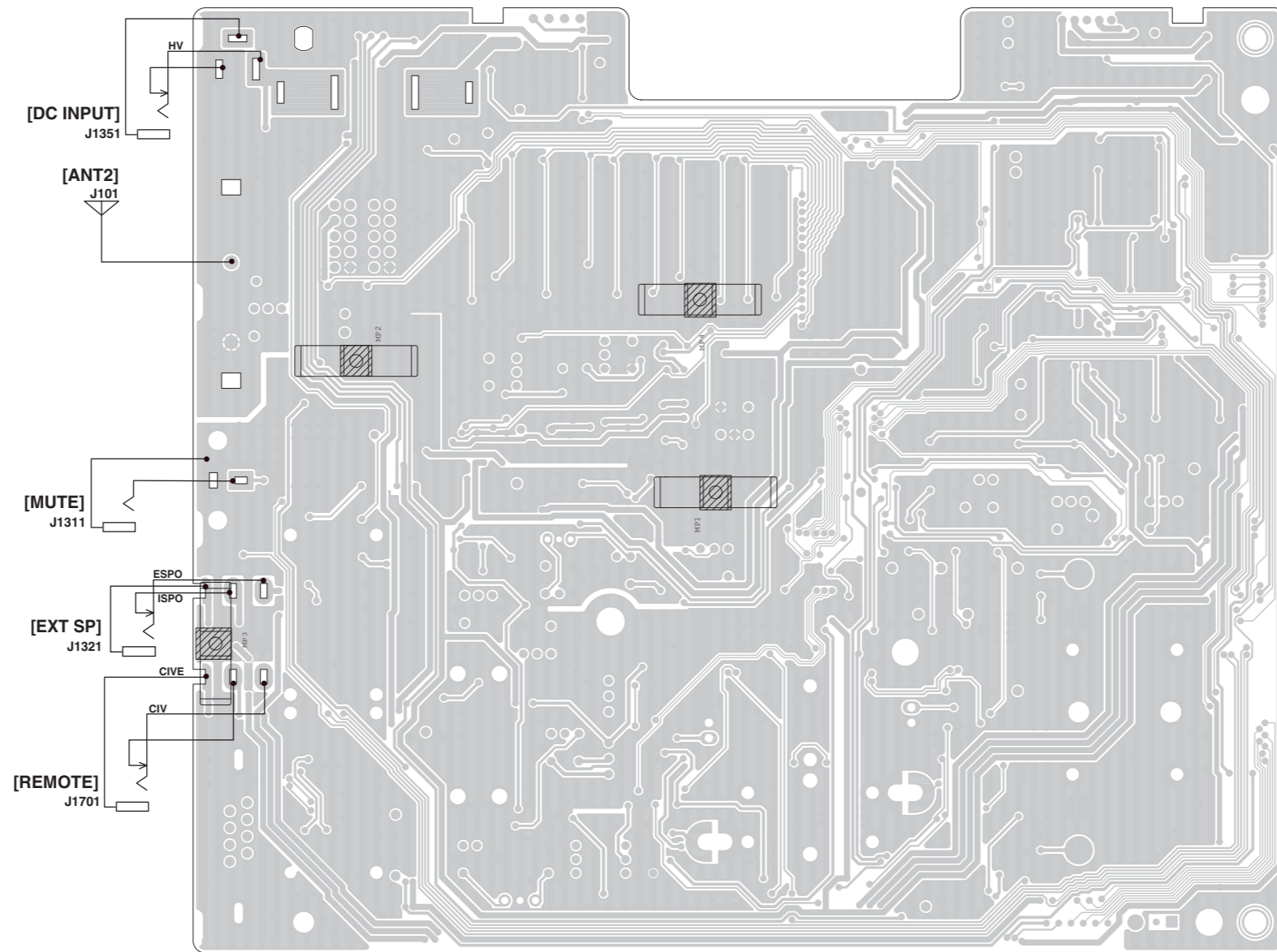
BOARD LAYOUTS

The combination of this page and next page shows the top side and bottom side of actual P.C. board.

• MAIN-A UNIT (For [USA-2], [OTH-2], [CHN-1]) (TOP VIEW)

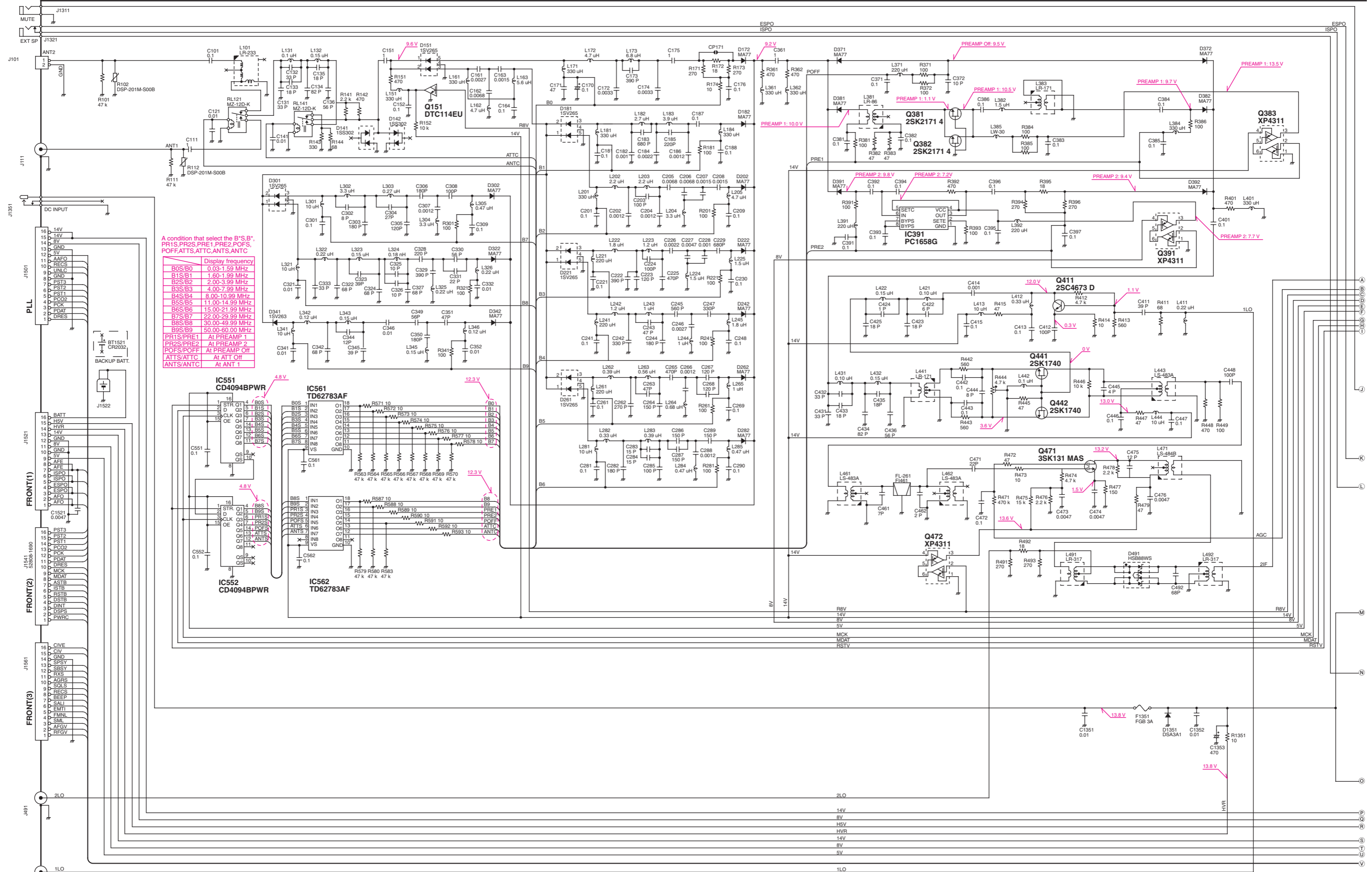


• MAIN-A UNIT (For [USA-2], [OTH-2], [CHN-1])
(BOTTOM VIEW)



VOLTAGE DIAGRAM

MAIN/MAIN-A UNIT

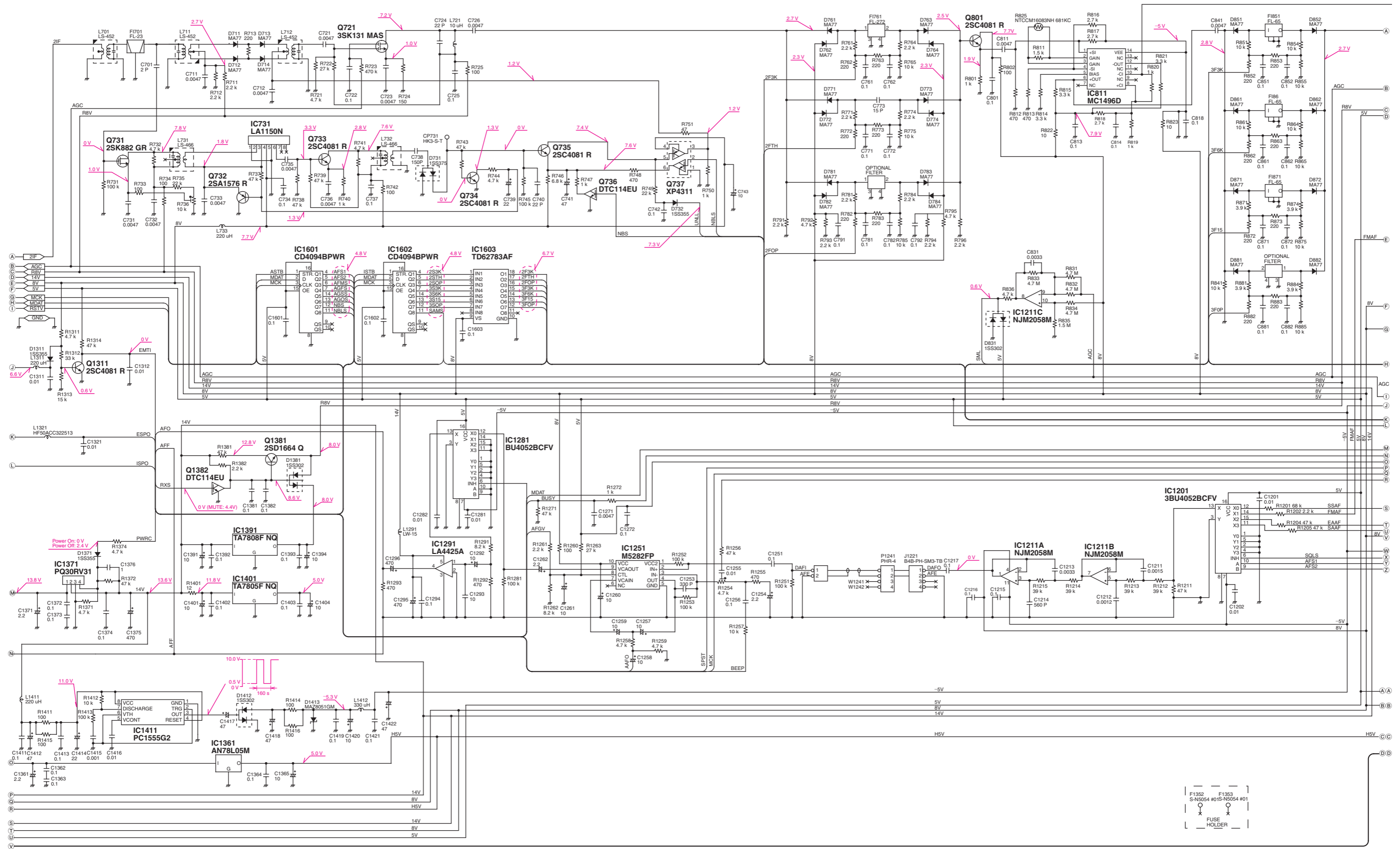


A condition that select the 'B'S B',
PR1S,PR2S,PRE1,PRE2,POFFS,
POFF,ATT,ANTS,ANTC

Display frequency
B0S/B0 0.03-1.59 MHz
B1S/B1 1.60-1.99 MHz
B2S/B2 2.00-3.99 MHz
B3S/B3 4.00-7.99 MHz
B4S/B4 8.00-10.99 MHz
B5S/B5 11.00-14.99 MHz
B6S/B6 15.00-21.99 MHz
B7S/B7 22.00-29.99 MHz
B8S/B8 30.00-49.99 MHz
B9S/B9 50.00-60.00 MHz
PR1S/PRE1 At PREAMP 1
PR2S/PRE2 At PREAMP 2
POFFS/POFF At PREAMP OFF
ATT/ANTS At ATT OFF
ANTS/ANTC At ANT 1

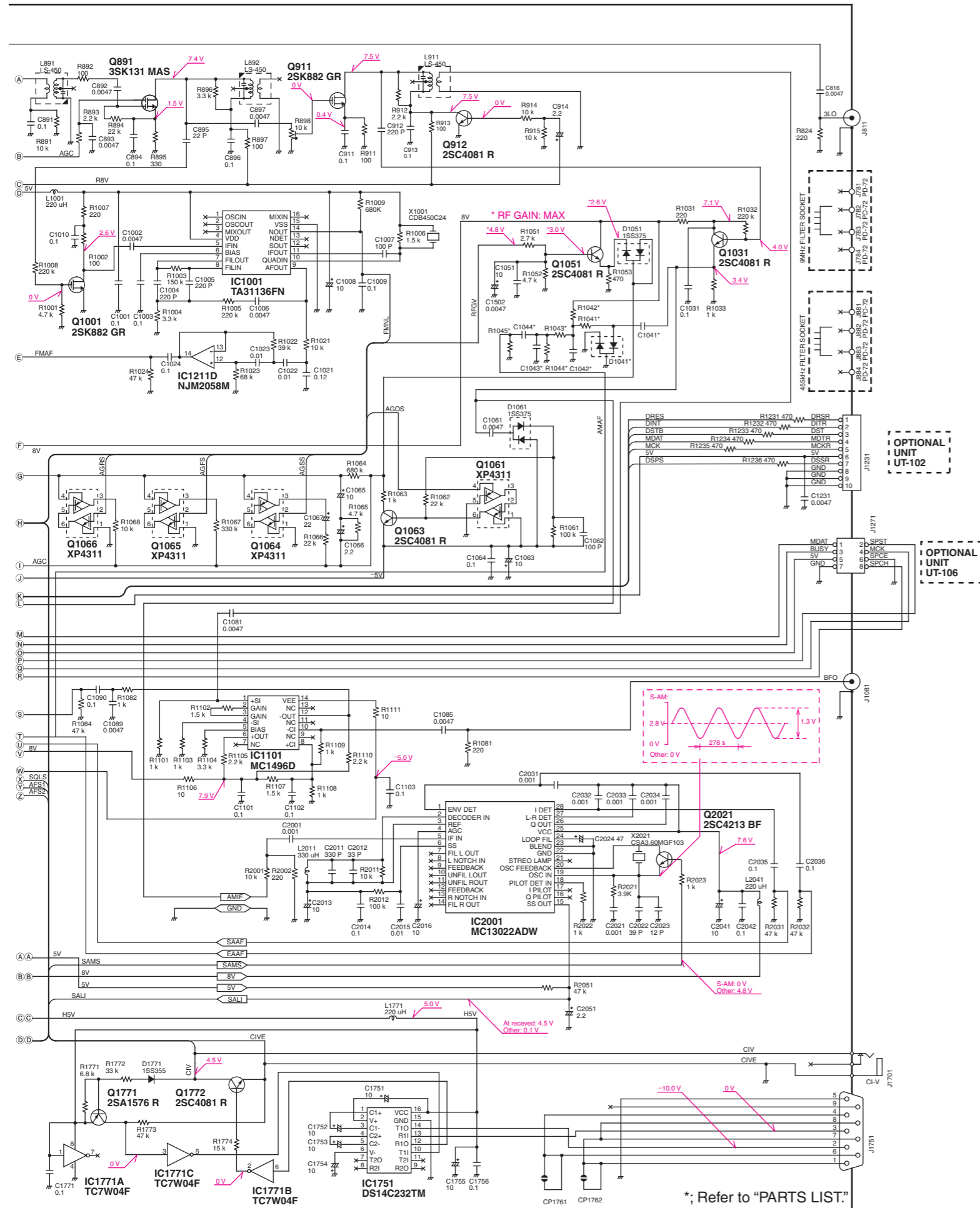
*; Refer to "PARTS LIST."

MAIN/MAIN-A UNIT



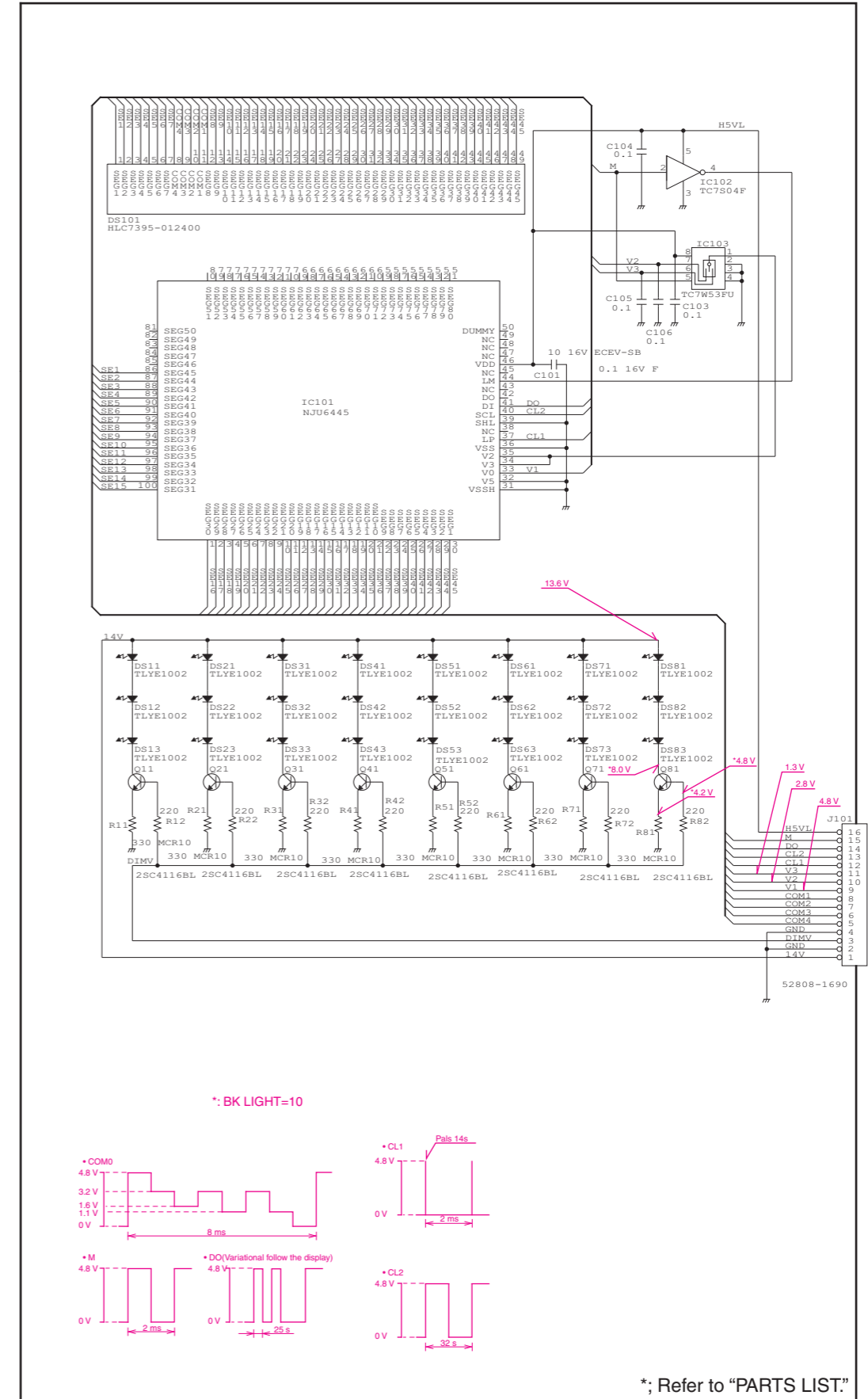
*; Refer to "PARTS LIST!"

MAIN/MAIN-A UNIT



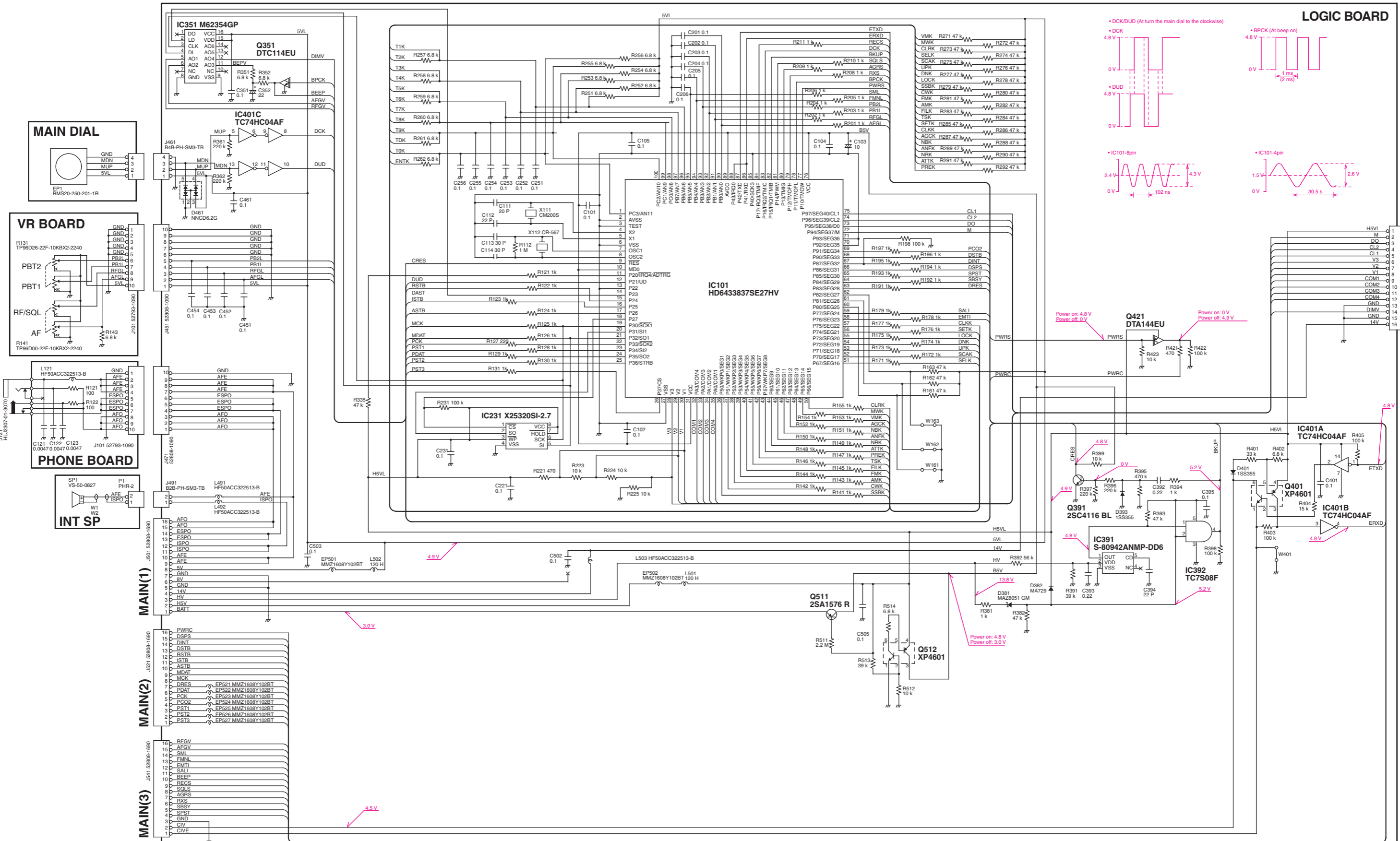
*; Refer to "PARTS LIST."

DISPLAY BOARD



*; Refer to "PARTS LIST."

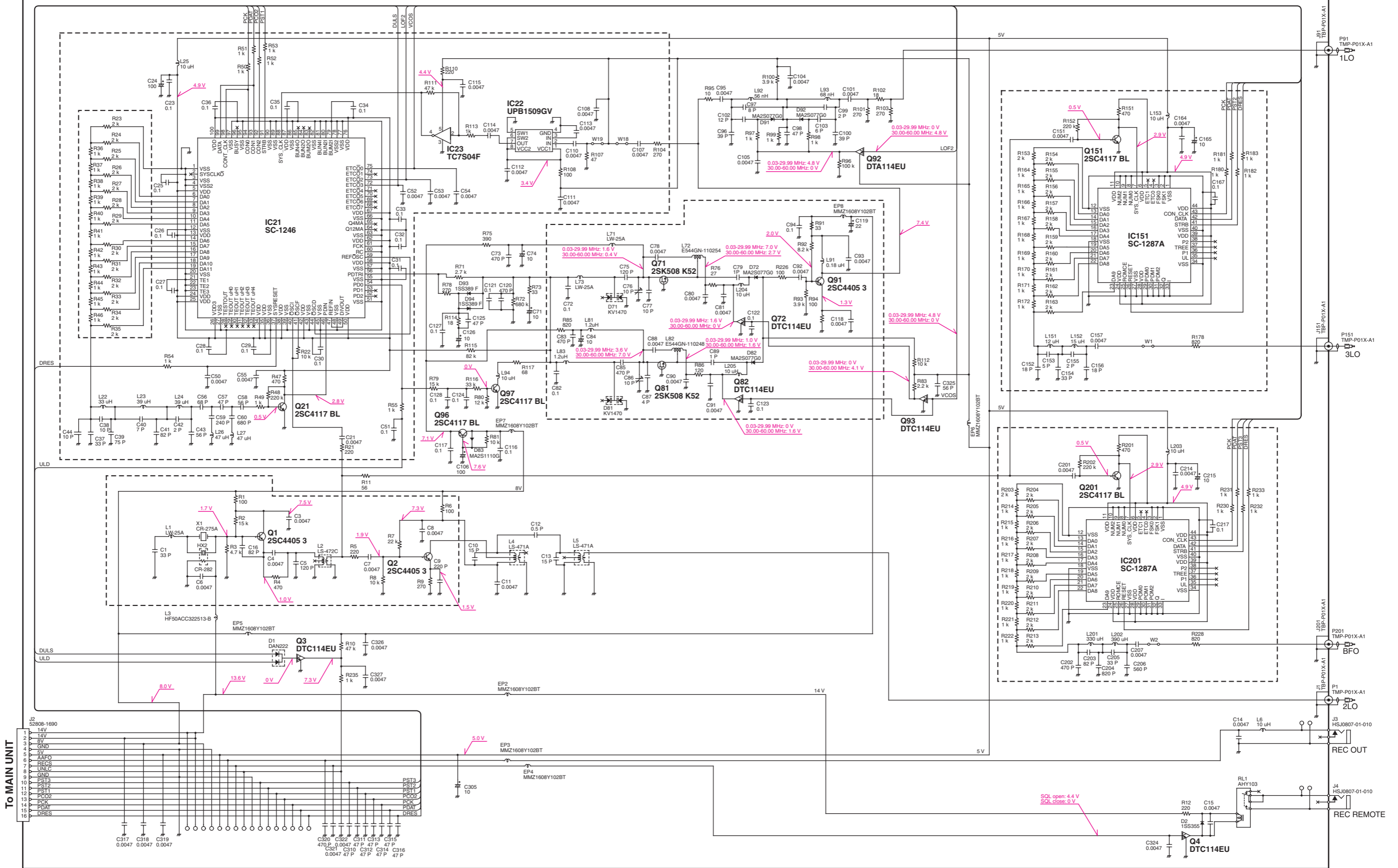
FRONT UNIT



To DISPLAY BOARD "J101"

*; Refer to "PARTS LIST."

PLL UNIT



*, Refer to "PARTS LIST."

Jul. 2009



SERVICE MANUAL ADDENDUM

IC-R75

CONTENTS

PARTS LIST	1
BOARD LAYOUTS	22
VOLTAGE DIAGRAM	24

PARTS LIST

[LOGIC BOARD]

REF NO.	ORDER NO.	DESCRIPTION
IC101	1140008251	S.IC HD6433837SC58HV [USA]
	1140008251	S.IC HD6433837SC58HV [EUR]
	1140008251	S.IC HD6433837SC58HV [AUS]
	1140008251	S.IC HD6433837SC58HV [UK]
	1140008251	S.IC HD6433837SC58HV [DEN]
	1140008251	S.IC HD6433837SC58HV [SEA]
	1140008251	S.IC HD6433837SC58HV [OTH]
	1140013850	S.IC HD6433837SE27HV (RX-2240A) [USA-1]
	1140013850	S.IC HD6433837SE27HV (RX-2240A) [OTH-1]
	1140013850	S.IC HD6433837SE27HV (RX-2240A) [CHN]
	1140013850	S.IC HD6433837SE27HV (RX-2240A) [USA-2]
	1140013850	S.IC HD6433837SE27HV (RX-2240A) [OTH-2]
	1140013850	S.IC HD6433837SE27HV (RX-2240A) [CHN-1]
IC231	1130011332	S.IC CAT25320VI-GT3
IC351	1110003690	S.IC M62354GP 75EC
IC391	1110005771	S.IC S-80942CNMC-G9CT2G
IC392	1130006441	S.IC TC7S08F(TE85R,F)
IC401	1130004922	S.IC TC74HC04AF(EL,F)
Q351	1590000680	S.TRA DTC114EUA T106
Q391	1530002851	S.TRA 2SC4116-BL(TE85R,F)
Q401	1590001650	S.TRA XP4601(TX)
Q421	1590000720	S.TRA DTA144EUA T106
Q511	1510000510	S.TRA 2SA1576A T106R
Q512	1590001650	S.TRA XP4601(TX)
D381	1730002321	S.ZEN MAZ8051GML
D382	1790000971	S.DIO MA2J7290GL
D393	1750000550	S.DIO 1SS355 TE-17
D401	1750000550	S.DIO 1SS355 TE-17
D461	1730002531	S.ZEN NNCD6.2G-T1-A
X111	6050009460	S.XTA CM200S SMD (32.768 kHz)
X112	6050009870	S.XTA CR-567 SMD 49 9.8304 MHz <KDS>
L491	6200003950	S.COI HF50ACC 322513-T
L492	6200003950	S.COI HF50ACC 322513-T
L501	6200002971	S.COI NLV32T-121J
L502	6200002971	S.COI NLV32T-121J
L503	6200003950	S.COI HF50ACC 322513-T
R101	7030003200	S.RES ERJ3GEYJ 100 V (10)
R112	7030003800	S.RES ERJ3GEYJ 105 V (1M)
R121	7030003440	S.RES ERJ3GEYJ 102 V (1K)
R122	7030003440	S.RES ERJ3GEYJ 102 V (1K)
R123	7030003440	S.RES ERJ3GEYJ 102 V (1K)
R124	7030003440	S.RES ERJ3GEYJ 102 V (1K)
R125	7030003440	S.RES ERJ3GEYJ 102 V (1K)
R126	7030003440	S.RES ERJ3GEYJ 102 V (1K)
R127	7030003360	S.RES ERJ3GEYJ 221 V (220)
R128	7030003440	S.RES ERJ3GEYJ 102 V (1K)
R129	7030003440	S.RES ERJ3GEYJ 102 V (1K)
R130	7030003440	S.RES ERJ3GEYJ 102 V (1K)
R131	7030003440	S.RES ERJ3GEYJ 102 V (1K)
R141	7030003440	S.RES ERJ3GEYJ 102 V (1K)
R142	7030003440	S.RES ERJ3GEYJ 102 V (1K)
R143	7030003440	S.RES ERJ3GEYJ 102 V (1K)
R144	7030003440	S.RES ERJ3GEYJ 102 V (1K)
R145	7030003440	S.RES ERJ3GEYJ 102 V (1K)
R146	7030003440	S.RES ERJ3GEYJ 102 V (1K)
R147	7030003440	S.RES ERJ3GEYJ 102 V (1K)
R148	7030003440	S.RES ERJ3GEYJ 102 V (1K)
R149	7030003440	S.RES ERJ3GEYJ 102 V (1K)
R150	7030003440	S.RES ERJ3GEYJ 102 V (1K)
R151	7030003440	S.RES ERJ3GEYJ 102 V (1K)
R152	7030003440	S.RES ERJ3GEYJ 102 V (1K)
R153	7030003440	S.RES ERJ3GEYJ 102 V (1K)
R154	7030003440	S.RES ERJ3GEYJ 102 V (1K)
R155	7030003440	S.RES ERJ3GEYJ 102 V (1K)
R161	7030003640	S.RES ERJ3GEYJ 473 V (47K)
R162	7030003640	S.RES ERJ3GEYJ 473 V (47K)
R163	7030003640	S.RES ERJ3GEYJ 473 V (47K)
R171	7030003440	S.RES ERJ3GEYJ 102 V (1K)
R172	7030003440	S.RES ERJ3GEYJ 102 V (1K)
R173	7030003440	S.RES ERJ3GEYJ 102 V (1K)
R174	7030003440	S.RES ERJ3GEYJ 102 V (1K)
R175	7030003440	S.RES ERJ3GEYJ 102 V (1K)
R176	7030003440	S.RES ERJ3GEYJ 102 V (1K)
R177	7030003440	S.RES ERJ3GEYJ 102 V (1K)
R178	7030003440	S.RES ERJ3GEYJ 102 V (1K)
R179	7030003440	S.RES ERJ3GEYJ 102 V (1K)
R191	7030003440	S.RES ERJ3GEYJ 102 V (1K)
R192	7030003440	S.RES ERJ3GEYJ 102 V (1K)
R193	7030003440	S.RES ERJ3GEYJ 102 V (1K)
R194	7030003440	S.RES ERJ3GEYJ 102 V (1K)
R195	7030003440	S.RES ERJ3GEYJ 102 V (1K)
R196	7030003440	S.RES ERJ3GEYJ 102 V (1K)
R197	7030003440	S.RES ERJ3GEYJ 102 V (1K)
R198	7030003680	S.RES ERJ3GEYJ 104 V (100K)
R201	7030003440	S.RES ERJ3GEYJ 102 V (1K)
R202	7030003440	S.RES ERJ3GEYJ 102 V (1K)
R203	7030003440	S.RES ERJ3GEYJ 102 V (1K)
R204	7030003440	S.RES ERJ3GEYJ 102 V (1K)

[LOGIC BOARD]

REF NO.	ORDER NO.	DESCRIPTION
R205	7030003440	S.RES ERJ3GEYJ 102 V (1K)
R206	7030003440	S.RES ERJ3GEYJ 102 V (1K)
R208	7030003440	S.RES ERJ3GEYJ 102 V (1K)
R209	7030003440	S.RES ERJ3GEYJ 102 V (1K)
R210	7030003440	S.RES ERJ3GEYJ 102 V (1K)
R211	7030003440	S.RES ERJ3GEYJ 102 V (1K)
R221	7030003400	S.RES ERJ3GEYJ 471 V (470)
R223	7030003560	S.RES ERJ3GEYJ 103 V (10K)
R224	7030003560	S.RES ERJ3GEYJ 103 V (10K)
R225	7030003560	S.RES ERJ3GEYJ 103 V (10K)
R231	7030003680	S.RES ERJ3GEYJ 104 V (100K)
R251	7030003540	S.RES ERJ3GEYJ 682 V (6.8K)
R252	7030003540	S.RES ERJ3GEYJ 682 V (6.8K)
R253	7030003540	S.RES ERJ3GEYJ 682 V (6.8K)
R254	7030003540	S.RES ERJ3GEYJ 682 V (6.8K)
R255	7030003540	S.RES ERJ3GEYJ 682 V (6.8K)
R256	7030003540	S.RES ERJ3GEYJ 682 V (6.8K)
R257	7030003540	S.RES ERJ3GEYJ 682 V (6.8K)
R258	7030003540	S.RES ERJ3GEYJ 682 V (6.8K)
R259	7030003540	S.RES ERJ3GEYJ 682 V (6.8K)
R260	7030003540	S.RES ERJ3GEYJ 682 V (6.8K)
R261	7030003540	S.RES ERJ3GEYJ 682 V (6.8K)
R262	7030003540	S.RES ERJ3GEYJ 682 V (6.8K)
R271	7030003640	S.RES ERJ3GEYJ 473 V (47K)
R272	7030003640	S.RES ERJ3GEYJ 473 V (47K)
R273	7030003640	S.RES ERJ3GEYJ 473 V (47K)
R274	7030003640	S.RES ERJ3GEYJ 473 V (47K)
R275	7030003640	S.RES ERJ3GEYJ 473 V (47K)
R276	7030003640	S.RES ERJ3GEYJ 473 V (47K)
R277	7030003640	S.RES ERJ3GEYJ 473 V (47K)
R278	7030003640	S.RES ERJ3GEYJ 473 V (47K)
R279	7030003640	S.RES ERJ3GEYJ 473 V (47K)
R280	7030003640	S.RES ERJ3GEYJ 473 V (47K)
R281	7030003640	S.RES ERJ3GEYJ 473 V (47K)
R282	7030003640	S.RES ERJ3GEYJ 473 V (47K)
R283	7030003640	S.RES ERJ3GEYJ 473 V (47K)
R284	7030003640	S.RES ERJ3GEYJ 473 V (47K)
R285	7030003640	S.RES ERJ3GEYJ 473 V (47K)
R286	7030003640	S.RES ERJ3GEYJ 473 V (47K)
R287	7030003640	S.RES ERJ3GEYJ 473 V (47K)
R288	7030003640	S.RES ERJ3GEYJ 473 V (47K)
R289	7030003640	S.RES ERJ3GEYJ 473 V (47K)
R290	7030003640	S.RES ERJ3GEYJ 473 V (47K)
R291	7030003640	S.RES ERJ3GEYJ 473 V (47K)
R292	7030003640	S.RES ERJ3GEYJ 473 V (47K)
R335	7030003640	S.RES ERJ3GEYJ 473 V (47K)
R351	7030003540	S.RES ERJ3GEYJ 682 V (6.8K)
R352	7030003540	S.RES ERJ3GEYJ 682 V (6.8K)
R361	7030003720	S.RES ERJ3GEYJ 224 V (220K)
R362	7030003720	S.RES ERJ3GEYJ 224 V (220K)
R381	7030009720	S.RES ERJ12YJ102U (1K)
R382	7030003640	S.RES ERJ3GEYJ 473 V (47K)
R391	7030003930	S.RES ERJ3GEYJ 393 V (39K)
R392	7030003650	S.RES ERJ3GEYJ 563 V (56K)
R393	7030003640	S.RES ERJ3GEYJ 473 V (47K)
R394	7030003440	S.RES ERJ3GEYJ 102 V (1K)
R395	7030003760	S.RES ERJ3GEYJ 474 V (470K)
R396	7030003720	S.RES ERJ3GEYJ 224 V (220K)
R397	7030003720	S.RES ERJ3GEYJ 224 V (220K)
R398	7030003680	S.RES ERJ3GEYJ 104 V (100K)
R399	7030003560	S.RES ERJ3GEYJ 103 V (10K)
R401	7030003620	S.RES ERJ3GEYJ 333 V (33K)
R402	7030003540	S.RES ERJ3GEYJ 682 V (6.8K)
R403	7030003680	S.RES ERJ3GEYJ 104 V (100K)
R404	7030003580	S.RES ERJ3GEYJ 153 V (15K)
R405	7030003680	S.RES ERJ3GEYJ 104 V (100K)
R421	7030003400	S.RES ERJ3GEYJ 471 V (470)
R422	7030003680	S.RES ERJ3GEYJ 104 V (100K)
R423	7030003560	S.RES ERJ3GEYJ 103 V (10K)
R511	7030003840	S.RES ERJ3GEYJ 225 V (2.2M)
R512	7030003560	S.RES ERJ3GEYJ 103 V (10K)
R513	7030003630	S.RES ERJ3GEYJ 393 V (39K)
R514	7030003540	S.RES ERJ3GEYJ 682 V (6.8K)
W161	7030003860	S.RES ERJ3GE JPW V [DEN] [SEA]
W162	7030003860	S.RES ERJ3GE JPW V [SEA] only
W163	7030003860	S.RES ERJ3GE JPW V [DEN] [SEA]
W401	7030003860	S.RES ERJ3GE JPW V [SEA]
C101	4030008630	S.CER C1608 JF 1H 104Z-T
C102	4030008630	S.CER C1608 JF 1H 104Z-T
C103	4550006250	S.TAN TEESVA 1A 106M8R
C104	4030008630	S.CER C1608 JF 1H 104Z-T
C105	4030008630	S.CER C1608 JF 1H 104Z-T
C111	4030009990	S.CER C1608 CH 1H 200J-T
C112	4030007050	S.CER C1608 CH 1H 220J-T
C113	4030008560	S.CER C1608 CH 1H 300J-T
C114	4030008560	S.CER C1608 CH 1H 300J-T
C201	4030008630	S.CER C1608 JF 1H 104Z-T
C202	4030008630	S.CER C1608 JF 1H 104Z-T
C203	4030008630	S.CER C1608 JF 1H 104Z-T
C204	4030008630	S.CER C1608 JF 1H 104Z-T
C205	4030008630	S.CER C1608 JF 1H 104Z-T
C206	4030008630	S.CER C1608 JF 1H 104Z-T

M.=Mounted side (T: Mounted on the Top side, B: Mounted on the Bottom side)
S.=Surface mount

[LOGIC BOARD]

REF NO.	ORDER NO.	DESCRIPTION
C221	4030008630	S.CER C1608 JF 1H 104Z-T
C231	4030008630	S.CER C1608 JF 1H 104Z-T
C251	4030008630	S.CER C1608 JF 1H 104Z-T
C252	4030008630	S.CER C1608 JF 1H 104Z-T
C253	4030008630	S.CER C1608 JF 1H 104Z-T
C254	4030008630	S.CER C1608 JF 1H 104Z-T
C255	4030008630	S.CER C1608 JF 1H 104Z-T
C256	4030008630	S.CER C1608 JF 1H 104Z-T
C351	4030008630	S.CER C1608 JF 1H 104Z-T
C352	4510008660	S.ELE EEE0JA220SR
C392	4030013720	S.CER GRM188B11A224KA01D (GRM39 B)
C393	4030013720	S.CER GRM188B11A224KA01D (GRM39 B)
C394	4030007050	S.CER C1608 CH 1H 220J-T
C395	4030008630	S.CER C1608 JF 1H 104Z-T
C401	4030008630	S.CER C1608 JF 1H 104Z-T
C451	4030008630	S.CER C1608 JF 1H 104Z-T
C452	4030008630	S.CER C1608 JF 1H 104Z-T
C453	4030008630	S.CER C1608 JF 1H 104Z-T
C454	4030008630	S.CER C1608 JF 1H 104Z-T
C461	4030008630	S.CER C1608 JF 1H 104Z-T
C502	4030008630	S.CER C1608 JF 1H 104Z-T
C503	4030008630	S.CER C1608 JF 1H 104Z-T
C505	4030008630	S.CER C1608 JF 1H 104Z-T
J411	6510019981	S.CON 52808-1671(1690)
J451	6510019971	S.CON 52808-1071
J461	6510018971	S.CON B4B-PH-SM4-TB(LF)(SN)
J471	6510019971	S.CON 52808-1071
J491	6510018961	S.CON B2B-PH-SM4-TB(LF)(SN)
J501	6510019981	S.CON 52808-1671(1690)
J521	6510019981	S.CON 52808-1671(1690)
J541	6510019981	S.CON 52808-1671(1690)
EP501	6910012350	S.BEA MMZ1608Y 102BT
EP502	6910012350	S.BEA MMZ1608Y 102BT
EP521	6910012350	S.BEA MMZ1608Y 102BT
EP522	6910012350	S.BEA MMZ1608Y 102BT
EP523	6910012350	S.BEA MMZ1608Y 102BT
EP524	6910012350	S.BEA MMZ1608Y 102BT
EP525	6910012350	S.BEA MMZ1608Y 102BT
EP526	6910012350	S.BEA MMZ1608Y 102BT
EP527	6910012350	S.BEA MMZ1608Y 102BT

[PHONE BOARD]

REF NO.	ORDER NO.	DESCRIPTION
L121	6200003950	S.COI HF50ACC 322513-T
R121	7030006070	S.RES ERJ12YJ101U (100)
R122	7030006070	S.RES ERJ12YJ101U (100)
C121	4030006880	S.CER C1608 JB 1H 472K-T
C122	4030006880	S.CER C1608 JB 1H 472K-T
C123	4030006880	S.CER C1608 JB 1H 472K-T
J101	6510020711	S.CON 52793-1070(1090)
J121	6510021480	CON HLJ2307-01-3070

M.=Mounted side (T: Mounted on the Top side, B: Mounted on the Bottom side)
S.=Surface mount

[VR BOARD]

REF NO.	ORDER NO.	DESCRIPTION
R131	7210003040	VAR TP96D26-22F-10KBX2-2240
R141	7210003030	VAR TP96D00-22F-10KBX2-2240
R143	7030003540	S.RES ERJ3GEYJ 682 V (6.8K)
J101	6510020711	S.CON 52793-1070(1090)

[MAIN UNIT] (For other than [USA-2], [OTH-2], [CHN-1])

REF NO.	ORDER NO.	DESCRIPTION
WS1	8600036540	CBL RX2240 P1241 J1241MA
IC391	1110003970	S.IC UPC1658G-E1
IC551	1130011760	S.IC CD4094BPWR
IC552	1130011760	S.IC CD4094BPWR
IC561	1160000131	S.IC TD62783AFG(5,S,EL)
IC562	1160000131	S.IC TD62783AFG(5,S,EL)
IC731	1110003141	IC LA1150N-E
IC811	1110002601	S.IC MC1496DR2G [USA]
	1110002600	S.IC MC1496DR2 [EUR]
	1110002601	S.IC MC1496DR2G [AUS]
	1110002600	S.IC MC1496DR2 [UK]
	1110002601	S.IC MC1496DR2G [DEN]
	1110002601	S.IC MC1496DR2G [SEA]
	1110002601	S.IC MC1496DR2G [OTH]
	1110002601	S.IC MC1496DR2G [USA-1]
	1110002601	S.IC MC1496DR2G [OTH-1]
	1110002601	S.IC MC1496DR2G [CHN]
IC1001	1110003201	S.IC TA31136FNG(EL)
IC1101	1110002601	S.IC MC1496DR2G [USA]
	1110002600	S.IC MC1496DR2 [EUR]
	1110002601	S.IC MC1496DR2G [AUS]
	1110002600	S.IC MC1496DR2 [UK]
	1110002601	S.IC MC1496DR2G [DEN]
	1110002601	S.IC MC1496DR2G [SEA]
	1110002601	S.IC MC1496DR2G [OTH]
	1110002601	S.IC MC1496DR2G [USA-1]
	1110002601	S.IC MC1496DR2G [OTH-1]
	1110002601	S.IC MC1496DR2G [CHN]
IC1201	1130009100	S.IC BU4052BCFV-E2
IC1211	1110003870	S.IC NJM2058M-TE1-#ZZZB
IC1251	1110003300	S.IC M5282FP 70CD
IC1281	1130009100	S.IC BU4052BCFV-E2
IC1291	1110003091	IC LA4425A-E
IC1361	1180000970	S.IC AN78L05M-(E1)
IC1371	1180001531	IC PQ30RV31J00H
IC1391	1180001251	S.IC TA7808F(TE16L,Q)
IC1401	1180001071	S.IC TA7805F(TE16L,Q)
IC1411	1110001401	S.IC UPC1555G2-E1-A
IC1601	1130011760	S.IC CD4094BPWR
IC1602	1130011760	S.IC CD4094BPWR
IC1603	1160000131	S.IC TD62783AFG(5,S,EL)
IC1751	1120002510	S.IC DS14C232TM S
IC1771	1130005721	S.IC TC7W04F(TE12L,F)
IC2001	1110004940	S.IC MC13022ADWR3 [USA]
	1110004940	S.IC MC13022ADWR3 [EUR]
	1110004940	S.IC MC13022ADWR3 [AUS]
	1110004940	S.IC MC13022ADWR3 [UK]
	1110004940	S.IC MC13022ADWR3 [DEN]
	1110004940	S.IC MC13022ADWR3 [SEA]
	1110004940	S.IC MC13022ADWR3 [OTH]
Q151	1590000680	S.TRA DTC114EUA T106
Q381	1560000721	S.FET 2SK2171-4-TD-E
Q382	1560000721	S.FET 2SK2171-4-TD-E
Q383	1590001960	S.TRA XP4311(TX)
Q391	1590001960	S.TRA XP4311(TX)
Q411	1530003151	S.TRA 2SC4673D-TD-E
Q441	1560000641	S.FET 2SK1740-4/5-TB-E
Q442	1560000641	S.FET 2SK1740-4/5-TB-E
Q471	1580000620	S.FET 3SK131-T2 MAS
Q472	1590001960	S.TRA XP4311(TX)
Q721	1580000620	S.FET 3SK131-T2 MAS
Q731	1560000561	S.FET 2SK882-GR(TE85L,F)
Q732	1510000510	S.TRA 2SA1576A T106R
Q733	1530002060	S.TRA 2SC4081 T106 R
Q734	1530002060	S.TRA 2SC4081 T106 R
Q735	1530002060	S.TRA 2SC4081 T106 R
Q736	1590000680	S.TRA DTC114EUA T106
Q737	1590001960	S.TRA XP4311(TX)
Q801	1530002060	S.TRA 2SC4081 T106 R
Q891	1580000620	S.FET 3SK131-T2 MAS
Q911	1560000561	S.FET 2SK882-GR(TE85L,F)
Q912	1530002060	S.TRA 2SC4081 T106 R
Q1001	1560000561	S.FET 2SK882-GR(TE85L,F)
Q1031	1530002060	S.TRA 2SC4081 T106 R
Q1051	1530002060	S.TRA 2SC4081 T106 R
Q1061	1590001960	S.TRA XP4311(TX)
Q1063	1530002060	S.TRA 2SC4081 T106 R
Q1064	1590001960	S.TRA XP4311(TX)
Q1065	1590001960	S.TRA XP4311(TX)
Q1066	1590001960	S.TRA XP4311(TX)
Q1311	1530002060	S.TRA 2SC4081 T106 R
Q1381	1540000550	S.TRA 2SD1664 T100Q
Q1382	1590000680	S.TRA DTC114EUA T106
Q1771	1510000510	S.TRA 2SA1576A T106R
Q1772	1530002060	S.TRA 2SC4081 T106 R
Q2021	1530003091	S.TRA 2SC4213-B(TE85R,F) [USA]
	1530003091	S.TRA 2SC4213-B(TE85R,F) [EUR]
	1530003091	S.TRA 2SC4213-B(TE85R,F) [AUS]
	1530003091	S.TRA 2SC4213-B(TE85R,F) [UK]
	1530003091	S.TRA 2SC4213-B(TE85R,F) [DEN]
	1530003091	S.TRA 2SC4213-B(TE85R,F) [SEA]
	1530003091	S.TRA 2SC4213-B(TE85R,F) [OTH]
D141	1750000461	S.DIO 1SV246-TL-E
D142	1750000461	S.DIO 1SV246-TL-E
D151	1750000971	S.DIO CPH5513-TL-E
D172	1790000620	S.DIO MA77(TX)
D181	1750000971	S.DIO CPH5513-TL-E
D182	1790000620	S.DIO MA77(TX)

M.=Mounted side (T: Mounted on the Top side, B: Mounted on the Bottom side)
S.=Surface mount

[MAIN UNIT] (For other than [USA-2], [OTH-2], [CHN-1])

REF NO.	ORDER NO.	DESCRIPTION	
D202	1790000620	S.DIO MA77(TX)	
D221	1750000971	S.DIO CPH5513-TL-E	
D222	1790000620	S.DIO MA77(TX)	
D242	1790000620	S.DIO MA77(TX)	
D261	1750000971	S.DIO CPH5513-TL-E	
D262	1790000620	S.DIO MA77(TX)	
D282	1790000620	S.DIO MA77(TX)	
D301	1750000971	S.DIO CPH5513-TL-E	
D302	1790000620	S.DIO MA77(TX)	
D322	1790000620	S.DIO MA77(TX)	
D341	1750000441	S.DIO 1SV263-TL-E	
D342	1790000620	S.DIO MA77(TX)	
D371	1790000620	S.DIO MA77(TX)	
D372	1790000620	S.DIO MA77(TX)	
D381	1790000620	S.DIO MA77(TX)	
D382	1790000620	S.DIO MA77(TX)	
D391	1790000620	S.DIO MA77(TX)	
D392	1790000620	S.DIO MA77(TX)	
D491	1750000431	S.DIO HSB88WSTR-E	
D711	1790000620	S.DIO MA77(TX)	
D712	1790000620	S.DIO MA77(TX)	
D713	1790000620	S.DIO MA77(TX)	
D714	1790000620	S.DIO MA77(TX)	
D731	1790001211	S.DIO 1SS375-TL-E	
D732	1750000550	S.DIO 1SS355 TE-17	
D761	1790000620	S.DIO MA77(TX)	
D762	1790000620	S.DIO MA77(TX)	
D763	1790000620	S.DIO MA77(TX)	
D764	1790000620	S.DIO MA77(TX)	
D771	1790000620	S.DIO MA77(TX)	
D772	1790000620	S.DIO MA77(TX)	
D773	1790000620	S.DIO MA77(TX)	
D774	1790000620	S.DIO MA77(TX)	
D781	1790000620	S.DIO MA77(TX)	
D782	1790000620	S.DIO MA77(TX)	
D783	1790000620	S.DIO MA77(TX)	
D784	1790000620	S.DIO MA77(TX)	
D831	1750000301	S.DIO 1SS302(TE85R,F)	
D851	1790000620	S.DIO MA77(TX)	
D852	1790000620	S.DIO MA77(TX)	
D861	1790000620	S.DIO MA77(TX)	
D862	1790000620	S.DIO MA77(TX)	
D871	1790000620	S.DIO MA77(TX)	
D872	1790000620	S.DIO MA77(TX)	
D881	1790000620	S.DIO MA77(TX)	
D882	1790000620	S.DIO MA77(TX)	
D1041	1790001211	S.DIO 1SS375-TL-E	[USA-1]
	1790001211	S.DIO 1SS375-TL-E	[OTH-1]
	1790001211	S.DIO 1SS375-TL-E	[CHN]
D1051	1790001211	S.DIO 1SS375-TL-E	
D1061	1790001211	S.DIO 1SS375-TL-E	
D1311	1750000550	S.DIO 1SS355 TE-17	
D1351	1790000700	DIO DSA3A1	
D1371	1750000550	S.DIO 1SS355 TE-17	
D1381	1750000301	S.DIO 1SS302(TE85R,F)	
D1412	1750000301	S.DIO 1SS302(TE85R,F)	
D1413	1730002321	S.ZEN MAZ8051GML	
D1771	1750000550	S.DIO 1SS355 TE-17	
FI461	2010002090	FIL UM-5 69.0115 MHz (FL-261)	
FI701	2010000270	FIL 9M15A (FL-23)	
FI761	2010002130	D.F 9M22D4 9.0115 MHz (FL-272)	
FI851	2020000210	CER CFJ455K5 (FL-65)	
FI861	2020001460	CER CFWLA450KHFA-B0 (CFWS450HT)	
FI871	2020001210	CER CFWLA450KEFA-B0 (CFWS450E)	
X1001	6070000200	DIS CDBLA450KAY24-B0 (CDB450C24)	
X2021	6060000721	CER CSALF3M60GZZF03-B0	[USA]
	6060000721	CER CSALF3M60GZZF03-B0	[EUR]
	6060000721	CER CSALF3M60GZZF03-B0	[AUS]
	6060000721	CER CSALF3M60GZZF03-B0	[UK]
	6060000721	CER CSALF3M60GZZF03-B0	[DEN]
	6060000721	CER CSALF3M60GZZF03-B0	[SEA]
	6060000721	CER CSALF3M60GZZF03-B0	[OTH]
L101	6140002070	COI LR-233	
L131	6200003431	S.COI NLV32T-R10J	
L132	6200003421	S.COI NLV32T-R15J	
L151	6200005491	S.COI NLV32T-331J	
L161	6200005491	S.COI NLV32T-331J	
L162	6200008790	S.COI ACL3225S-4R7K-T	
L163	6200008800	S.COI ACL3225S-5R6K-T	
L171	6200005491	S.COI NLV32T-331J	
L172	6200002961	S.COI NLV32T-4R7J	
L173	6200003111	S.COI NLV32T-6R8J	
L181	6200005491	S.COI NLV32T-331J	
L182	6200003091	S.COI NLV32T-2R7J	
L183	6200003101	S.COI NLV32T-3R9J	
L184	6200005491	S.COI NLV32T-331J	
L201	6200005491	S.COI NLV32T-331J	
L202	6200002991	S.COI NLV32T-2R2J	
L203	6200002991	S.COI NLV32T-2R2J	
L204	6200003321	S.COI NLV32T-3R3J	
L205	6200002961	S.COI NLV32T-4R7J	
L221	6200003241	S.COI NLV32T-221J	
L222	6200003081	S.COI NLV32T-1R8J	
L223	6200003061	S.COI NLV32T-1R2J	
L224	6200003071	S.COI NLV32T-1R5J	
L225	6200003071	S.COI NLV32T-1R5J	
L241	6200003241	S.COI NLV32T-221J	
L242	6200003061	S.COI NLV32T-1R2J	

[MAIN UNIT] (For other than [USA-2], [OTH-2], [CHN-1])

REF NO.	ORDER NO.	DESCRIPTION	
L243	6200003331	S.COI NLV32T-1R0J	
L244	6200003331	S.COI NLV32T-1R0J	
L245	6200003081	S.COI NLV32T-1R8J	
L261	6200003241	S.COI NLV32T-221J	
L262	6200003251	S.COI NLV32T-R39J	
L263	6200002981	S.COI NLV32T-R56J	
L264	6200003041	S.COI NLV32T-R68J	
L265	6200003331	S.COI NLV32T-1R0J	
L281	6200001831	S.COI NLV32T-100J	
L282	6200003021	S.COI NLV32T-R33J	
L283	6200003251	S.COI NLV32T-R39J	
L284	6200003031	S.COI NLV32T-R47J	
L285	6200003031	S.COI NLV32T-R47J	[USA]
	6200003031	S.COI NLV32T-R47J	[EUR]
	6200003030	S.COI NL 322522T-R47J-3	[AUS]
	6200003031	S.COI NLV32T-R47J	[UK]
	6200003030	S.COI NL 322522T-R47J-3	[DEN]
	6200003031	S.COI NLV32T-R47J	[SEA]
	6200003031	S.COI NLV32T-R47J	[OTH]
	6200003031	S.COI NLV32T-R47J	[USA-1]
	6200003031	S.COI NLV32T-R47J	[OTH-1]
	6200003031	S.COI NLV32T-R47J	[CHN]
L301	6200001831	S.COI NLV32T-100J	[USA]
	6200001831	S.COI NLV32T-100J	[EUR]
	6200001830	S.COI NL 322522T-100J	[AUS]
	6200001831	S.COI NLV32T-100J	[UK]
	6200001830	S.COI NL 322522T-100J	[DEN]
	6200001831	S.COI NLV32T-100J	[SEA]
	6200001831	S.COI NLV32T-100J	[OTH]
	6200001831	S.COI NLV32T-100J	[USA-1]
	6200001831	S.COI NLV32T-100J	[OTH-1]
	6200001831	S.COI NLV32T-100J	[CHN]
L302	6200003021	S.COI NLV32T-R33J	[USA]
	6200003021	S.COI NLV32T-R33J	[EUR]
	6200003020	S.COI NL 322522T-R33J-3	[AUS]
	6200003021	S.COI NLV32T-R33J	[UK]
	6200003020	S.COI NL 322522T-R33J-3	[DEN]
	6200003021	S.COI NLV32T-R33J	[SEA]
	6200003021	S.COI NLV32T-R33J	[OTH]
	6200003021	S.COI NLV32T-R33J	[USA-1]
	6200003021	S.COI NLV32T-R33J	[OTH-1]
	6200003021	S.COI NLV32T-R33J	[CHN]
L303	6200003011	S.COI NLV32T-R27J	
L304	6200003021	S.COI NLV32T-R33J	
L305	6200003031	S.COI NLV32T-R47J	
L321	6200001831	S.COI NLV32T-100J	
L322	6200003001	S.COI NLV32T-R22J	
L323	6200003421	S.COI NLV32T-R15J	
L324	6180002961	S.COI NLV32T-R18J	
L325	6200003001	S.COI NLV32T-R22J	
L326	6200003001	S.COI NLV32T-R22J	
L341	6200001831	S.COI NLV32T-100J	
L342	6200001471	S.COI NLV32T-R12J	
L343	6200003421	S.COI NLV32T-R15J	
L345	6200003421	S.COI NLV32T-R15J	
L346	6200001471	S.COI NLV32T-R12J	
L361	6200005491	S.COI NLV32T-331J	
L362	6200005491	S.COI NLV32T-331J	
L371	6200003241	S.COI NLV32T-221J	
L381	6140000640	COI LR-86	
L382	6200003071	S.COI NLV32T-1R5J	[USA]
	6200003071	S.COI NLV32T-1R5J	[EUR]
	6200003070	S.COI NL 322522T-1R5J-3	[AUS]
	6200003071	S.COI NLV32T-1R5J	[UK]
	6200003070	S.COI NL 322522T-1R5J-3	[DEN]
	6200003071	S.COI NLV32T-1R5J	[SEA]
	6200003071	S.COI NLV32T-1R5J	[OTH]
	6200003071	S.COI NLV32T-1R5J	[USA-1]
	6200003071	S.COI NLV32T-1R5J	[OTH-1]
	6200003071	S.COI NLV32T-1R5J	[CHN]
L383	6140001500	COI LR-171	
L384	6200005491	S.COI NLV32T-331J	[USA]
	6200005491	S.COI NLV32T-331J	[EUR]
	6200005490	S.COI NL 322522T-331J	[AUS]
	6200005491	S.COI NLV32T-331J	[UK]
	6200005490	S.COI NL 322522T-331J	[DEN]
	6200005491	S.COI NLV32T-331J	[SEA]
	6200005491	S.COI NLV32T-331J	[OTH]
	6200005491	S.COI NLV32T-331J	[USA-1]
	6200005491	S.COI NLV32T-331J	[OTH-1]
	6200005491	S.COI NLV32T-331J	[CHN]
L385	6170000291	COI LW-30-LF	
L391	6200003241	S.COI NLV32T-221J	[USA]
	6200003241	S.COI NLV32T-221J	[EUR]
	6200003240	S.COI NL 322522T-221J	[AUS]
	6200003241	S.COI NLV32T-221J	[UK]
	6200003240	S.COI NL 322522T-221J	[DEN]
	6200003241	S.COI NLV32T-221J	[SEA]
	6200003241	S.COI NLV32T-221J	[OTH]
	6200003241	S.COI NLV32T-221J	[USA-1]
	6200003241	S.COI NLV32T-221J	[OTH-1]
	6200003241	S.COI NLV32T-221J	[CHN]
L392	6200003241	S.COI NLV32T-221J	
L401	6200005491	S.COI NLV32T-331J	
L411	6200003001	S.COI NLV32T-R22J	
L412	6200003021	S.COI NLV32T-R33J	
L413	6200001831	S.COI NLV32T-100J	
L421	6200003431	S.COI NLV32T-R10J	
L422	6200003421	S.COI NLV32T-R15J	
L431	6200003431	S.COI NLV32T-R10J	
L432	6200003421	S.COI NLV32T-R15J	
L441	6140001500	COI LR-171	
L442	6200003431	S.COI NLV32T-R10J	
L443	6150004270	COI LS-483A (C-14924)	

M.=Mounted side (T: Mounted on the Top side, B: Mounted on the Bottom side)
S.=Surface mount

[MAIN UNIT] (For other than [USA-2], [OTH-2], [CHN-1])

Table with columns: REF NO., ORDER NO., DESCRIPTION. Contains a list of components such as C791, C792, C801, etc., with their respective part numbers and descriptions.

[MAIN UNIT] (For other than [USA-2], [OTH-2], [CHN-1])

Table with columns: REF NO., ORDER NO., DESCRIPTION. Contains a list of components such as C1322, C1351, C1352, etc., with their respective part numbers and descriptions. Includes a vertical list of country codes on the right side of the table.

M.=Mounted side (T: Mounted on the Top side, B: Mounted on the Bottom side) S.=Surface mount

[MAIN UNIT] (For other than [USA-2], [OTH-2], [CHN-1])

REF NO.	ORDER NO.	DESCRIPTION	
C2021	4030006860	S.CER C1608 JB 1H 102K-T	[USA]
	4030006860	S.CER C1608 JB 1H 102K-T	[EUR]
	4030006860	S.CER C1608 JB 1H 102K-T	[AUS]
	4030006860	S.CER C1608 JB 1H 102K-T	[UK]
	4030006860	S.CER C1608 JB 1H 102K-T	[DEN]
C2022	4030007080	S.CER C1608 CH 1H 390J-T	[SEA]
	4030007080	S.CER C1608 CH 1H 390J-T	[OTH]
	4030007080	S.CER C1608 CH 1H 390J-T	[USA]
	4030007080	S.CER C1608 CH 1H 390J-T	[EUR]
	4030007080	S.CER C1608 CH 1H 390J-T	[AUS]
C2023	4030007020	S.CER C1608 CH 1H 120J-T	[UK]
	4030007020	S.CER C1608 CH 1H 120J-T	[DEN]
	4030007020	S.CER C1608 CH 1H 120J-T	[SEA]
	4030007020	S.CER C1608 CH 1H 120J-T	[OTH]
	4030007020	S.CER C1608 CH 1H 120J-T	[USA]
C2024	4510008520	S.ELE EEE1CA470SP	[EUR]
	4510008520	S.ELE EEE1CA470SP	[AUS]
	4510008520	S.ELE EEE1CA470SP	[UK]
	4510008520	S.ELE EEE1CA470SP	[DEN]
	4510008520	S.ELE EEE1CA470SP	[SEA]
C2031	4030006860	S.CER C1608 JB 1H 102K-T	[USA]
	4030006860	S.CER C1608 JB 1H 102K-T	[EUR]
	4030006860	S.CER C1608 JB 1H 102K-T	[AUS]
	4030006860	S.CER C1608 JB 1H 102K-T	[UK]
	4030006860	S.CER C1608 JB 1H 102K-T	[DEN]
C2032	4030006860	S.CER C1608 JB 1H 102K-T	[SEA]
	4030006860	S.CER C1608 JB 1H 102K-T	[OTH]
	4030006860	S.CER C1608 JB 1H 102K-T	[USA]
	4030006860	S.CER C1608 JB 1H 102K-T	[EUR]
	4030006860	S.CER C1608 JB 1H 102K-T	[AUS]
C2033	4030006860	S.CER C1608 JB 1H 102K-T	[UK]
	4030006860	S.CER C1608 JB 1H 102K-T	[DEN]
	4030006860	S.CER C1608 JB 1H 102K-T	[SEA]
	4030006860	S.CER C1608 JB 1H 102K-T	[OTH]
	4030006860	S.CER C1608 JB 1H 102K-T	[USA]
C2034	4030006860	S.CER C1608 JB 1H 102K-T	[EUR]
	4030006860	S.CER C1608 JB 1H 102K-T	[AUS]
	4030006860	S.CER C1608 JB 1H 102K-T	[UK]
	4030006860	S.CER C1608 JB 1H 102K-T	[DEN]
	4030006860	S.CER C1608 JB 1H 102K-T	[SEA]
C2035	4030011600	S.CER C1608 JB 1E 104K-T	[OTH]
	4030011600	S.CER C1608 JB 1E 104K-T	[USA]
	4030011600	S.CER C1608 JB 1E 104K-T	[EUR]
	4030011600	S.CER C1608 JB 1E 104K-T	[AUS]
	4030011600	S.CER C1608 JB 1E 104K-T	[UK]
C2036	4030011600	S.CER C1608 JB 1E 104K-T	[DEN]
	4030011600	S.CER C1608 JB 1E 104K-T	[SEA]
	4030011600	S.CER C1608 JB 1E 104K-T	[OTH]
	4030011600	S.CER C1608 JB 1E 104K-T	[USA]
	4030011600	S.CER C1608 JB 1E 104K-T	[EUR]
C2037	4030006860	S.CER C1608 JB 1H 102K-T	[AUS]
	4030006860	S.CER C1608 JB 1H 102K-T	[UK]
	4030006860	S.CER C1608 JB 1H 102K-T	[DEN]
	4030006860	S.CER C1608 JB 1H 102K-T	[SEA]
	4030006860	S.CER C1608 JB 1H 102K-T	[OTH]
C2041	4510008540	S.ELE EEE1CA100SR	[USA]
	4510008540	S.ELE EEE1CA100SR	[EUR]
	4510008540	S.ELE EEE1CA100SR	[AUS]
	4510008540	S.ELE EEE1CA100SR	[UK]
	4510008540	S.ELE EEE1CA100SR	[DEN]
C2042	4030011600	S.CER C1608 JB 1E 104K-T	[SEA]
	4030011600	S.CER C1608 JB 1E 104K-T	[OTH]
	4030011600	S.CER C1608 JB 1E 104K-T	[USA]
	4030011600	S.CER C1608 JB 1E 104K-T	[EUR]
	4030011600	S.CER C1608 JB 1E 104K-T	[AUS]
C2051	4510008530	S.ELE EEE1HA2R2SR	[UK]
	4510008530	S.ELE EEE1HA2R2SR	[DEN]
	4510008530	S.ELE EEE1HA2R2SR	[SEA]
	4510008530	S.ELE EEE1HA2R2SR	[OTH]
	4510008530	S.ELE EEE1HA2R2SR	[USA]
RL121	6330000180	REL MZ-12HG	
RL141	6330000180	REL MZ-12HG	

[MAIN UNIT] (For other than [USA-2], [OTH-2], [CHN-1])

REF NO.	ORDER NO.	DESCRIPTION	
CP731	6910009670	S.CHE HK3-S-T	
J101	6510021460	CON PT-C02P01	
J111	6510007020	CON TMP-J01X-V6	
J411	6510007020	CON TMP-J01X-V6	
J491	6510007020	CON TMP-J01X-V6	
J781	6450001560	CON PD-72	
J782	6450001560	CON PD-72	
J783	6450001560	CON PD-72	
J784	6450001560	CON PD-72	
J811	6510007020	CON TMP-J01X-V6	
J881	6450001560	CON PD-72	
J882	6450001560	CON PD-72	
J883	6450001560	CON PD-72	
J884	6450001560	CON PD-72	
J1081	6510007020	CON TMP-J01X-V6	
J1221	6510018971	S.CON B4B-PH-SM4-TB(LF)(SN)	
J1231	6510019971	S.CON 52808-1071	
J1271	6510019191	S.CON 52365-0871	
J1311	6450001800	CON JPJ1044-01-010	
J1321	6450000140	CON HSJ0807-01-010	
J1351	6510023650	CON HEC0740-010618	
J1501	6510019981	S.CON 52808-1671(1690)	
J1521	6510019981	S.CON 52808-1671(1690)	
J1522	6510021861	CON BH-800.4GG <LTC>	
J1541	6510019981	S.CON 52808-1671(1690)	
J1561	6510019981	S.CON 52808-1671(1690)	
J1701	6450000140	CON HSJ0807-01-010	
J1751	6510021241	CON DELC-J9SAF-23L9E	
F1351	5210000051	FUS FGB 3A PBF (FGB0 125V)	
F1352	5220000230	HOL S-N5054 #01	
F1353	5220000230	HOL S-N5054 #01	
BT1521	3020000110	LIT CR2032	

M.=Mounted side (T: Mounted on the Top side, B: Mounted on the Bottom side)
S.=Surface mount

[PLL UNIT]

REF NO.	ORDER NO.	DESCRIPTION
C322	4030006880	S.CER C1608 JB 1H 472K-T
C323	4030006880	S.CER C1608 JB 1H 472K-T
C324	4030006880	S.CER C1608 JB 1H 472K-T
C325	4030007100	S.CER C1608 CH 1H 560J-T
C326	4030006880	S.CER C1608 JB 1H 472K-T
C327	4030006880	S.CER C1608 JB 1H 472K-T
C328	4030009500	S.CER C1608 CH 1H 0R5B-T
C329	4030006850	S.CER C1608 JB 1H 471K-T
C330	4030006880	S.CER C1608 JB 1H 472K-T
RL1	6330001320	REL AHY103
J2	6510019981	S.CON 52808-1671(1690)
J3	6450000140	CON HSJ0807-01-010
J4	6450000140	CON HSJ0807-01-010
EP2	6910012350	S.BEA MMZ1608Y 102BT
EP3	6910012350	S.BEA MMZ1608Y 102BT
EP4	6910012350	S.BEA MMZ1608Y 102BT
EP5	6910012350	S.BEA MMZ1608Y 102BT
EP6	6910012350	S.BEA MMZ1608Y 102BT
EP7	6910012350	S.BEA MMZ1608Y 102BT
EP8	6910012350	S.BEA MMZ1608Y 102BT
EP9	6910012350	S.BEA MMZ1608Y 102BT
EP10	6910012350	S.BEA MMZ1608Y 102BT
EP11	6910012350	S.BEA MMZ1608Y 102BT
EP12	6910012350	S.BEA MMZ1608Y 102BT
EP13	6910012350	S.BEA MMZ1608Y 102BT
EP14	6910012350	S.BEA MMZ1608Y 102BT

[DISPLAY BOARD]

REF NO.	ORDER NO.	DESCRIPTION
IC101	1130013870	S.IC NJU6445FCI-#ZZZB
IC102	1130003831	S.IC TC7S04F(TE85R,F)
IC103	1130008511	S.IC TC7W53FU(TE12L,F)
Q11	1530002851	S.TRA 2SC4116-BL(TE85R,F)
Q21	1530002851	S.TRA 2SC4116-BL(TE85R,F)
Q31	1530002851	S.TRA 2SC4116-BL(TE85R,F)
Q41	1530002851	S.TRA 2SC4116-BL(TE85R,F)
Q51	1530002851	S.TRA 2SC4116-BL(TE85R,F)
Q61	1530002851	S.TRA 2SC4116-BL(TE85R,F)
Q71	1530002851	S.TRA 2SC4116-BL(TE85R,F)
Q81	1530002851	S.TRA 2SC4116-BL(TE85R,F)
R11	7030000320	S.RES MCR10EZHZJ 330 (331)
R12	7030003360	S.RES ERJ3GEYJ 221 V (220)
R21	7030000320	S.RES MCR10EZHZJ 330 (331)
R22	7030003360	S.RES ERJ3GEYJ 221 V (220)
R31	7030000320	S.RES MCR10EZHZJ 330 (331)
R32	7030003360	S.RES ERJ3GEYJ 221 V (220)
R41	7030000320	S.RES MCR10EZHZJ 330 (331)
R42	7030003360	S.RES ERJ3GEYJ 221 V (220)
R51	7030000320	S.RES MCR10EZHZJ 330 (331)
R52	7030003360	S.RES ERJ3GEYJ 221 V (220)
R61	7030000320	S.RES MCR10EZHZJ 330 (331)
R62	7030003360	S.RES ERJ3GEYJ 221 V (220)
R71	7030000320	S.RES MCR10EZHZJ 330 (331)
R72	7030003360	S.RES ERJ3GEYJ 221 V (220)
R81	7030000320	S.RES MCR10EZHZJ 330 (331)
R82	7030003360	S.RES ERJ3GEYJ 221 V (220)
C101	4030008630	S.CER C1608 JF 1H 104Z-T
C103	4030008630	S.CER C1608 JF 1H 104Z-T
C104	4030008630	S.CER C1608 JF 1H 104Z-T
C105	4030008630	S.CER C1608 JF 1H 104Z-T
C106	4030008630	S.CER C1608 JF 1H 104Z-T
J101	6510019981	S.CON 52808-1671(1690)
DS11	5040002940	S.LED TLYU1002A(T02)
DS12	5040002940	S.LED TLYU1002A(T02)
DS13	5040002940	S.LED TLYU1002A(T02)
DS21	5040002940	S.LED TLYU1002A(T02)
DS22	5040002940	S.LED TLYU1002A(T02)
DS23	5040002940	S.LED TLYU1002A(T02)
DS31	5040002940	S.LED TLYU1002A(T02)
DS32	5040002940	S.LED TLYU1002A(T02)
DS33	5040002940	S.LED TLYU1002A(T02)
DS41	5040002940	S.LED TLYU1002A(T02)
DS42	5040002940	S.LED TLYU1002A(T02)
DS43	5040002940	S.LED TLYU1002A(T02)
DS51	5040002940	S.LED TLYU1002A(T02)
DS52	5040002940	S.LED TLYU1002A(T02)
DS53	5040002940	S.LED TLYU1002A(T02)
DS61	5040002940	S.LED TLYU1002A(T02)
DS62	5040002940	S.LED TLYU1002A(T02)
DS63	5040002940	S.LED TLYU1002A(T02)
DS71	5040002940	S.LED TLYU1002A(T02)
DS72	5040002940	S.LED TLYU1002A(T02)
DS73	5040002940	S.LED TLYU1002A(T02)
DS81	5040002940	S.LED TLYU1002A(T02)
DS82	5040002940	S.LED TLYU1002A(T02)
DS83	5040002940	S.LED TLYU1002A(T02)
DS101	5030001690	LCD HLC7395-012400
EP2	8930049631	LCD SRCN-2240-SP-N-W-1 (SHJ)

M.=Mounted side (T: Mounted on the Top side, B: Mounted on the Bottom side)
S.=Surface mount

[MAIN-A UNIT] (For [USA-2], [OTH-2], [CHN-1])

REF NO.	ORDER NO.	DESCRIPTION	
C1272	4030011600	S.CER	C1608 JB 1E 104K-T
C1281	4030006900	S.CER	C1608 JB 1H 103K-T
C1282	4030006900	S.CER	C1608 JB 1H 103K-T
C1292	4510008540	S.ELE	EEE1CA100SR
C1293	4030011600	S.CER	C1608 JB 1E 104K-T
C1294	4030011600	S.CER	C1608 JB 1E 104K-T
C1295	4510004591	ELE	16 ME 470 HC
C1296	4510004591	ELE	16 ME 470 HC
C1311	4030006900	S.CER	C1608 JB 1H 103K-T
C1312	4030006900	S.CER	C1608 JB 1H 103K-T
C1321	4030006900	S.CER	C1608 JB 1H 103K-T
C1322	4030006860	S.CER	C1608 JB 1H 102K-T
C1351	4030006900	S.CER	C1608 JB 1H 103K-T
C1352	4030006900	S.CER	C1608 JB 1H 103K-T
C1353	4510004510	ELE	25 ME 470 HC
C1361	4510008530	S.ELE	EEE1HA2R2SR
C1362	4030011600	S.CER	C1608 JB 1E 104K-T
C1363	4030011600	S.CER	C1608 JB 1E 104K-T
C1364	4030011600	S.CER	C1608 JB 1E 104K-T
C1365	4510008540	S.ELE	EEE1CA100SR
C1371	4510008530	S.ELE	EEE1HA2R2SR
C1372	4030011600	S.CER	C1608 JB 1E 104K-T
C1373	4030011600	S.CER	C1608 JB 1E 104K-T
C1374	4030011600	S.CER	C1608 JB 1E 104K-T
C1375	4510004591	ELE	16 ME 470 HC
C1376	4030019180	S.CER	TMK212BJ105KG-T
C1381	4030011600	S.CER	C1608 JB 1E 104K-T
C1382	4030011600	S.CER	C1608 JB 1E 104K-T
C1391	4510004591	ELE	16 ME 470 HC
C1392	4030011600	S.CER	C1608 JB 1E 104K-T
C1393	4030011600	S.CER	C1608 JB 1E 104K-T
C1394	4510008540	S.ELE	EEE1CA100SR
C1401	4510008540	S.ELE	EEE1CA100SR
C1402	4030011600	S.CER	C1608 JB 1E 104K-T
C1403	4030011600	S.CER	C1608 JB 1E 104K-T
C1404	4510008540	S.ELE	EEE1CA100SR
C1411	4030011600	S.CER	C1608 JB 1E 104K-T
C1412	4510008520	S.ELE	EEE1CA470SP
C1413	4030011600	S.CER	C1608 JB 1E 104K-T
C1414	4510009270	S.ELE	EEH1C220UR
C1415	4030006860	S.CER	C1608 JB 1H 102K-T
C1416	4030006900	S.CER	C1608 JB 1H 103K-T
C1417	4510008520	S.ELE	EEE1CA470SP
C1418	4510008520	S.ELE	EEE1CA470SP
C1419	4030011600	S.CER	C1608 JB 1E 104K-T
C1420	4510008540	S.ELE	EEE1CA100SR
C1421	4030011600	S.CER	C1608 JB 1E 104K-T
C1422	4510008520	S.ELE	EEE1CA470SP
C1502	4030006880	S.CER	C1608 JB 1H 472K-T
C1521	4030006880	S.CER	C1608 JB 1H 472K-T
C1601	4030011600	S.CER	C1608 JB 1E 104K-T
C1602	4030011600	S.CER	C1608 JB 1E 104K-T
C1603	4030011600	S.CER	C1608 JB 1E 104K-T
C1751	4510008540	S.ELE	EEE1CA100SR
C1752	4510008540	S.ELE	EEE1CA100SR
C1753	4510008540	S.ELE	EEE1CA100SR
C1754	4510008540	S.ELE	EEE1CA100SR
C1755	4510008540	S.ELE	EEE1CA100SR
C1756	4030011600	S.CER	C1608 JB 1E 104K-T
C1771	4030011600	S.CER	C1608 JB 1E 104K-T
RL121	6330001721	REL	ATN207-K1
RL141	6330001721	REL	ATN207-K1
CP731	6910009670	S.CHE	HK3-S-T
J101	6510021460	CON	PT-C02P01
J111	6510007020	CON	TMP-J01X-V6
J411	6510007020	CON	TMP-J01X-V6
J491	6510007020	CON	TMP-J01X-V6
J781	6450001560	CON	PD-72
J782	6450001560	CON	PD-72
J783	6450001560	CON	PD-72
J784	6450001560	CON	PD-72
J811	6510007020	CON	TMP-J01X-V6
J881	6450001560	CON	PD-72
J882	6450001560	CON	PD-72
J883	6450001560	CON	PD-72
J884	6450001560	CON	PD-72
J1081	6510007020	CON	TMP-J01X-V6
J1221	6510018971	S.CON	B4B-PH-SM4-TB(LF)(SN)
J1231	6510019971	S.CON	52808-1071
J1271	6510019191	S.CON	52365-0871
J1311	6450001800	CON	JPJ1044-01-010
J1321	6450000140	CON	HSJ0807-01-010
J1351	6510023650	CON	HEC0740-010618
J1501	6510019981	S.CON	52808-1671(1690)
J1521	6510019981	S.CON	52808-1671(1690)
J1522	6510021861	CON	BH-800.4GG <LTC>
J1541	6510019981	S.CON	52808-1671(1690)
J1561	6510019981	S.CON	52808-1671(1690)
J1701	6450000140	CON	HSJ0807-01-010
J1751	6510021241	CON	DEL-CJ9SAF-23L9E
F1351	5210000051	FUS	FGB 3A PBF (FGB0 125V)
F1352	5220000230	HOL	S-N5054 #01
F1353	5220000230	HOL	S-N5054 #01
BT1521	3020000110	LIT	CR2032

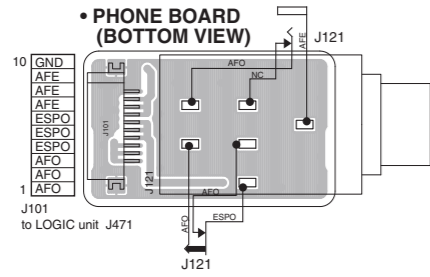
[MAIN-A UNIT] (For [USA-2], [OTH-2], [CHN-1])

REF NO.	ORDER NO.	DESCRIPTION	
EP1321	6910014690	S.BEA	MPZ1608S221A-T
EP1322	6910014690	S.BEA	MPZ1608S221A-T

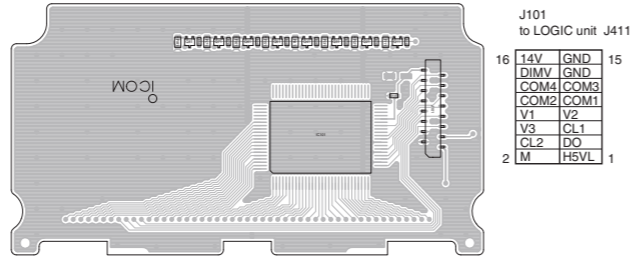
M.=Mounted side (T: Mounted on the Top side, B: Mounted on the Bottom side)
S.=Surface mount

The combination of this side and the bottom side shows the board layout in the same configuration as the actual P.C.Board.

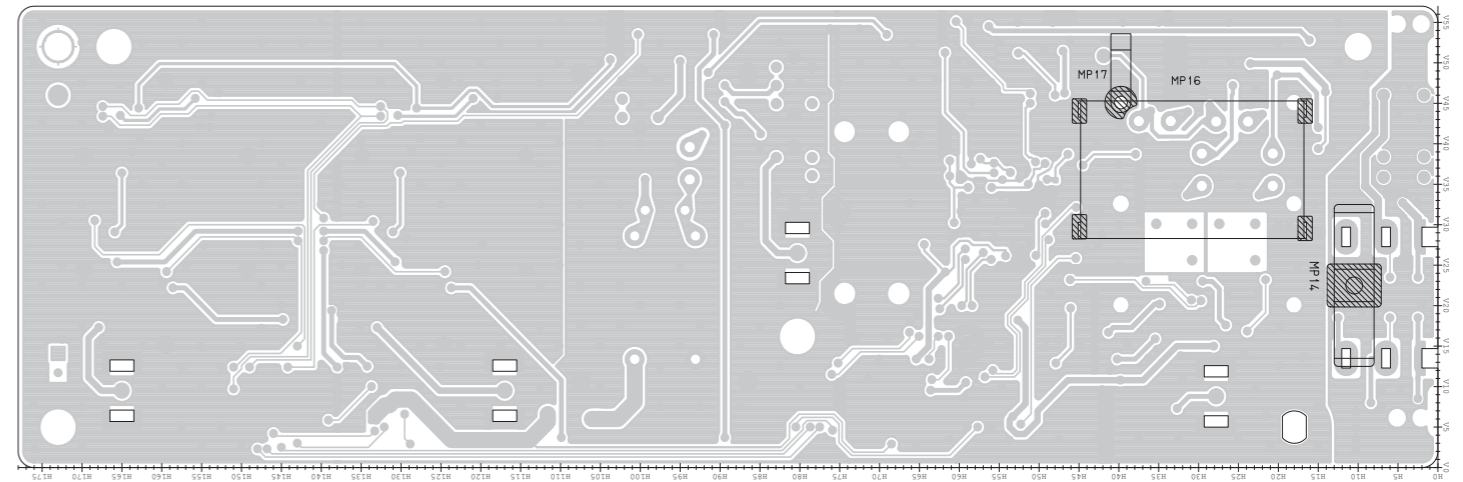
• PHONE BOARD (BOTTOM VIEW)



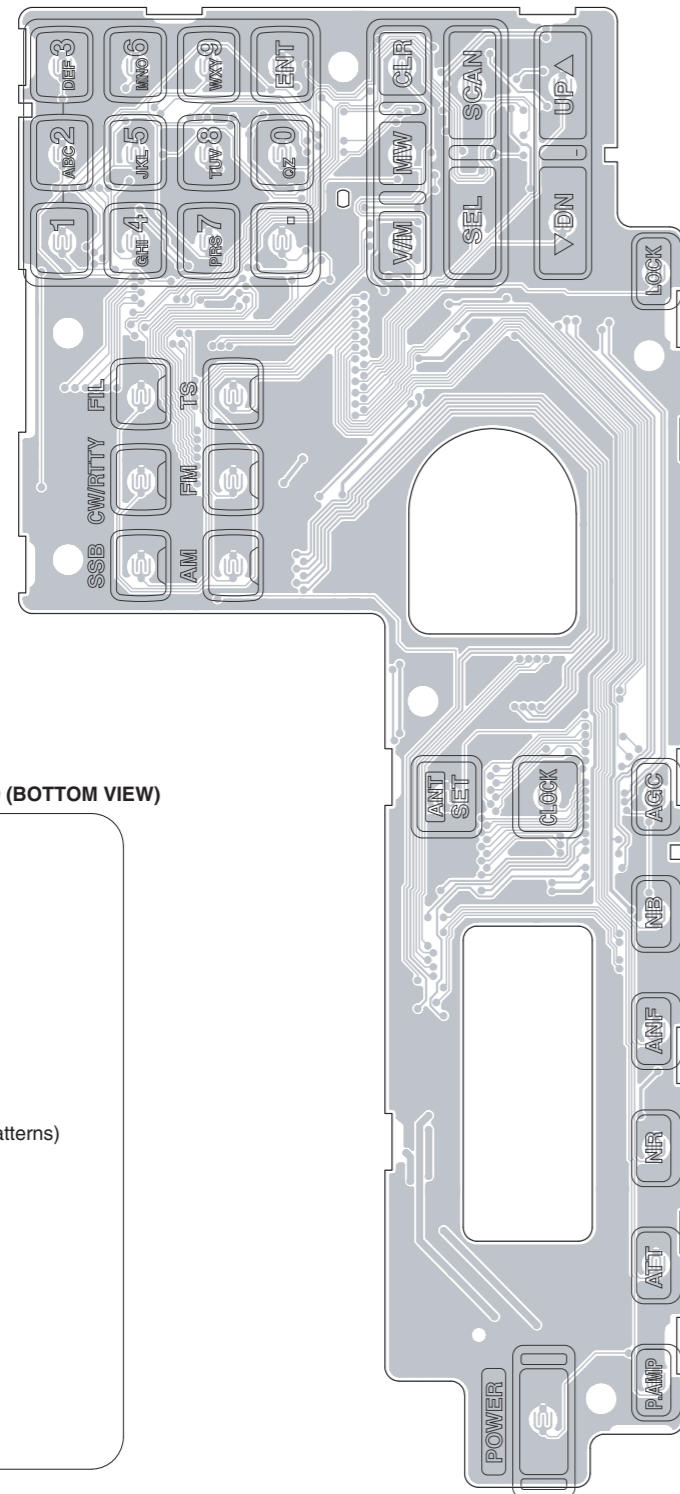
• DISPLAY BOARD (BOTTOM VIEW)



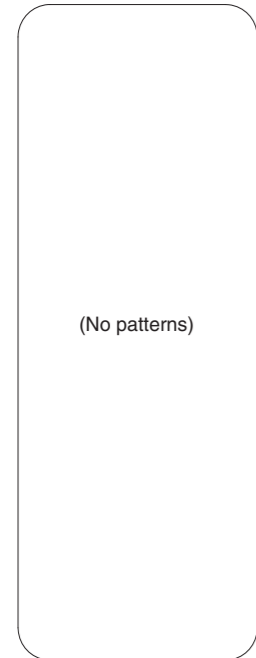
• PLL UNIT (BOTTOM VIEW)



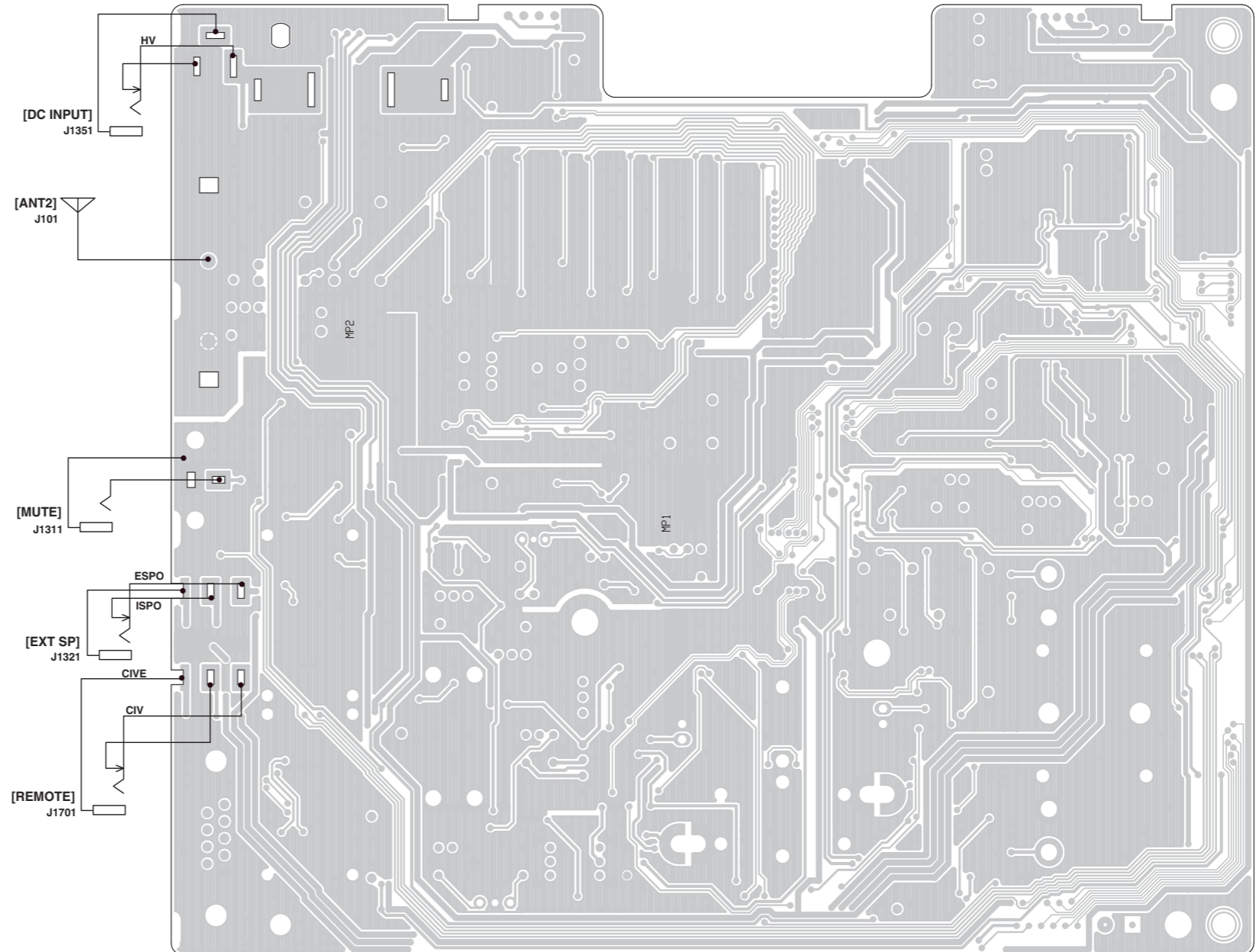
• LOGIC BOARD (BOTTOM VIEW)



• VR BOARD (BOTTOM VIEW)

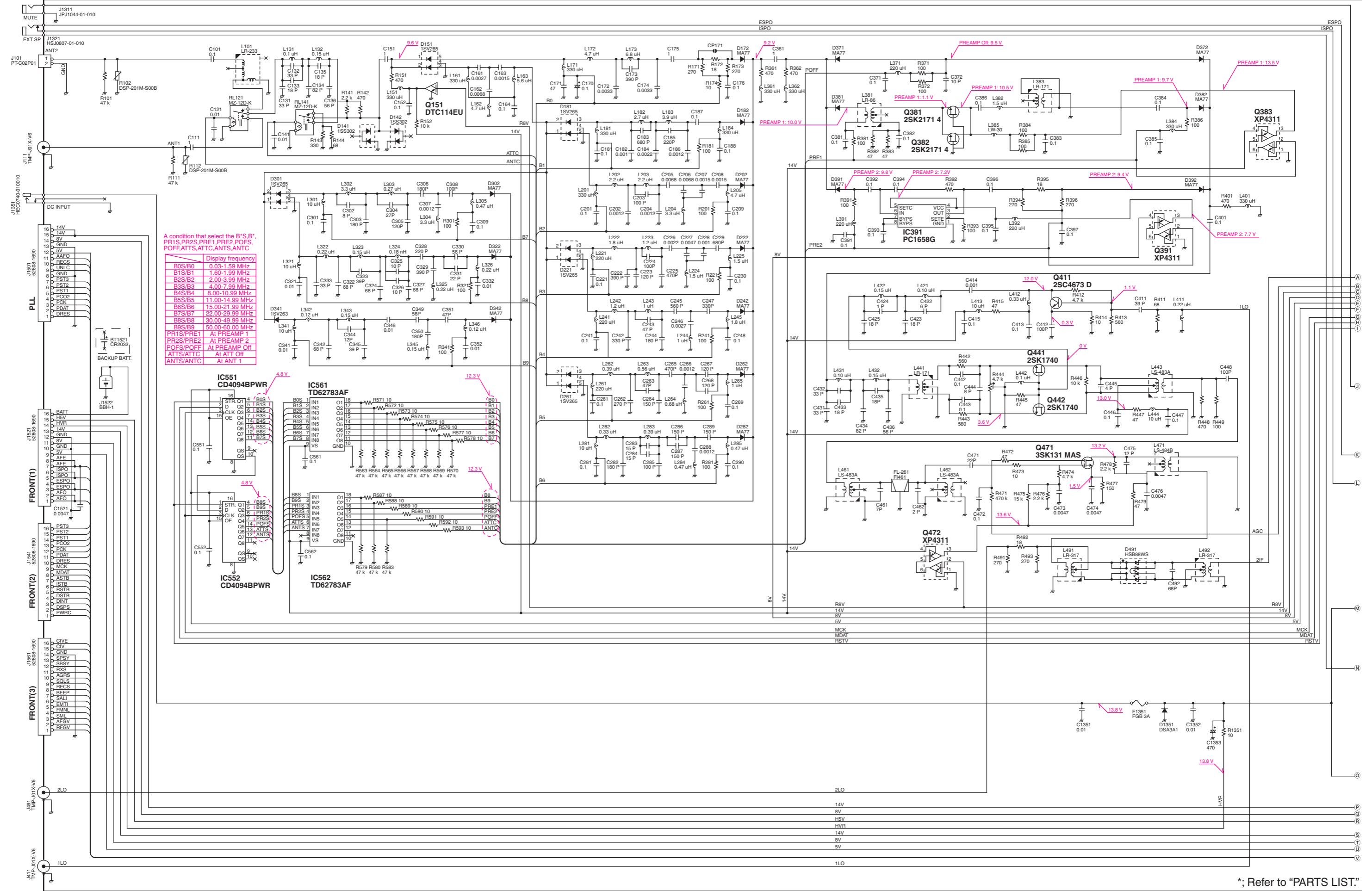


• MAIN UNIT (For other than [USA-2], [OTH-2], [CHN-1]) (BOTTOM VIEW)



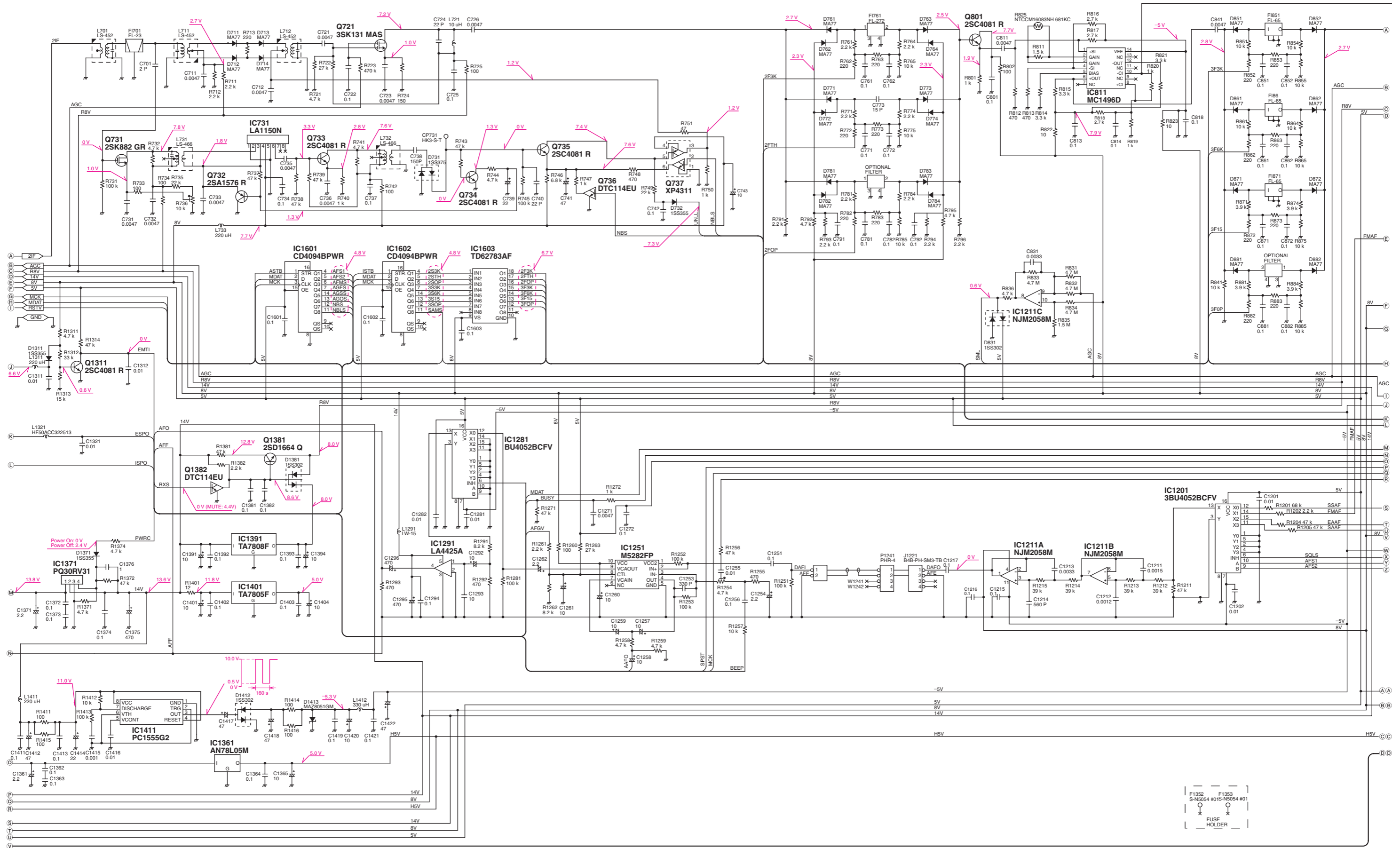
VOLTAGE DIAGRAM

MAIN/MAIN-A UNIT

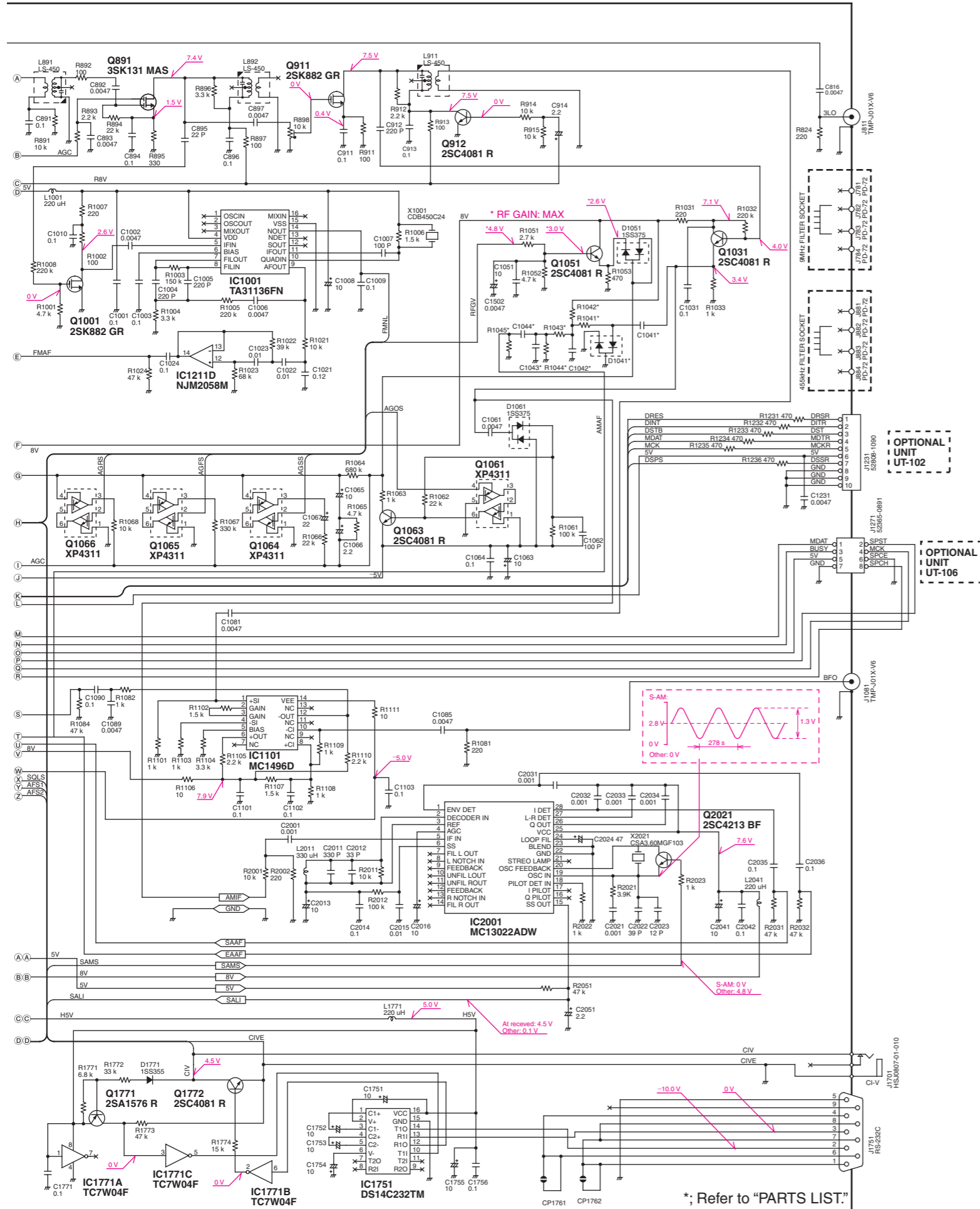


*; Refer to "PARTS LIST."

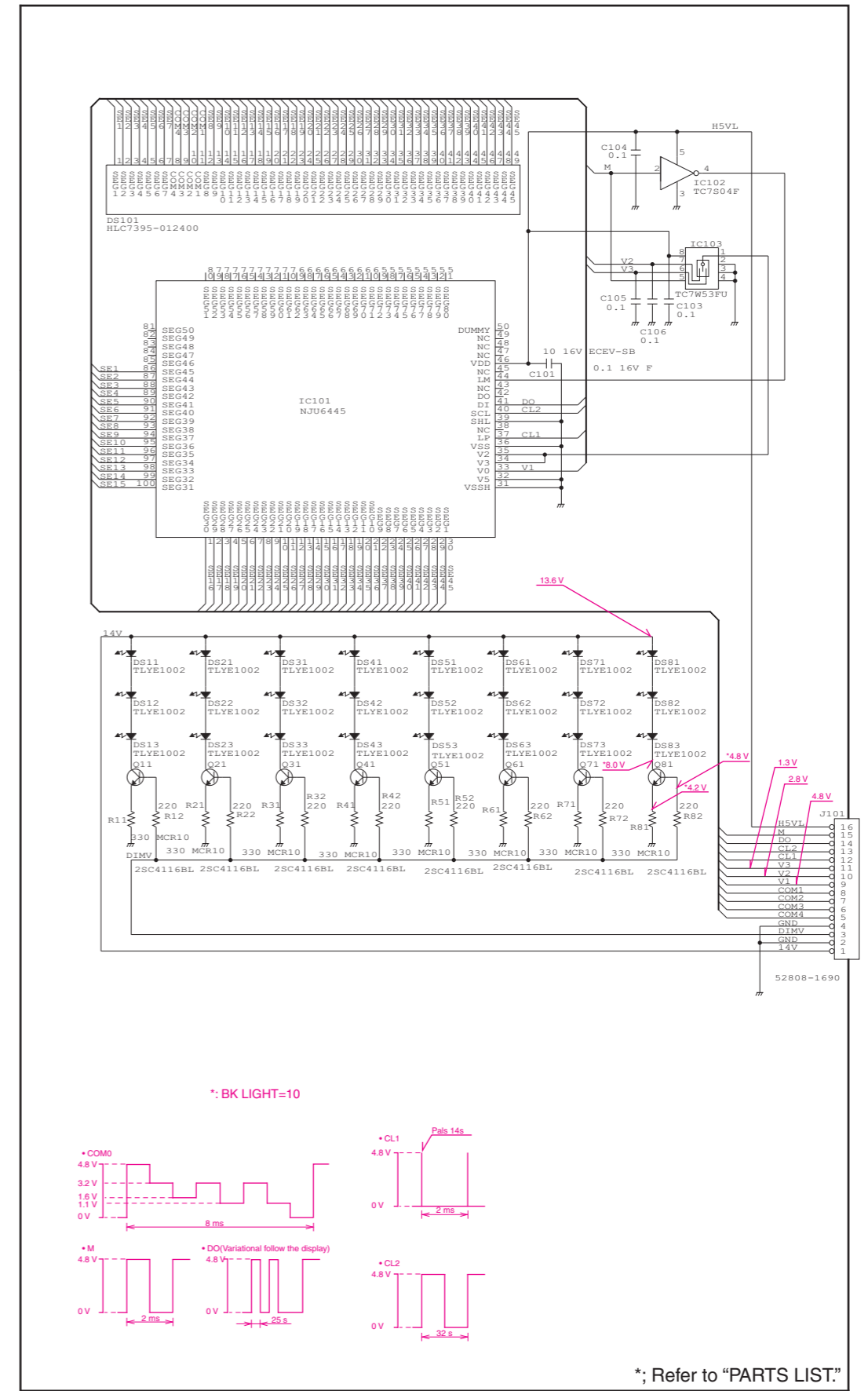
MAIN/MAIN-A UNIT



MAIN/MAIN-A UNIT

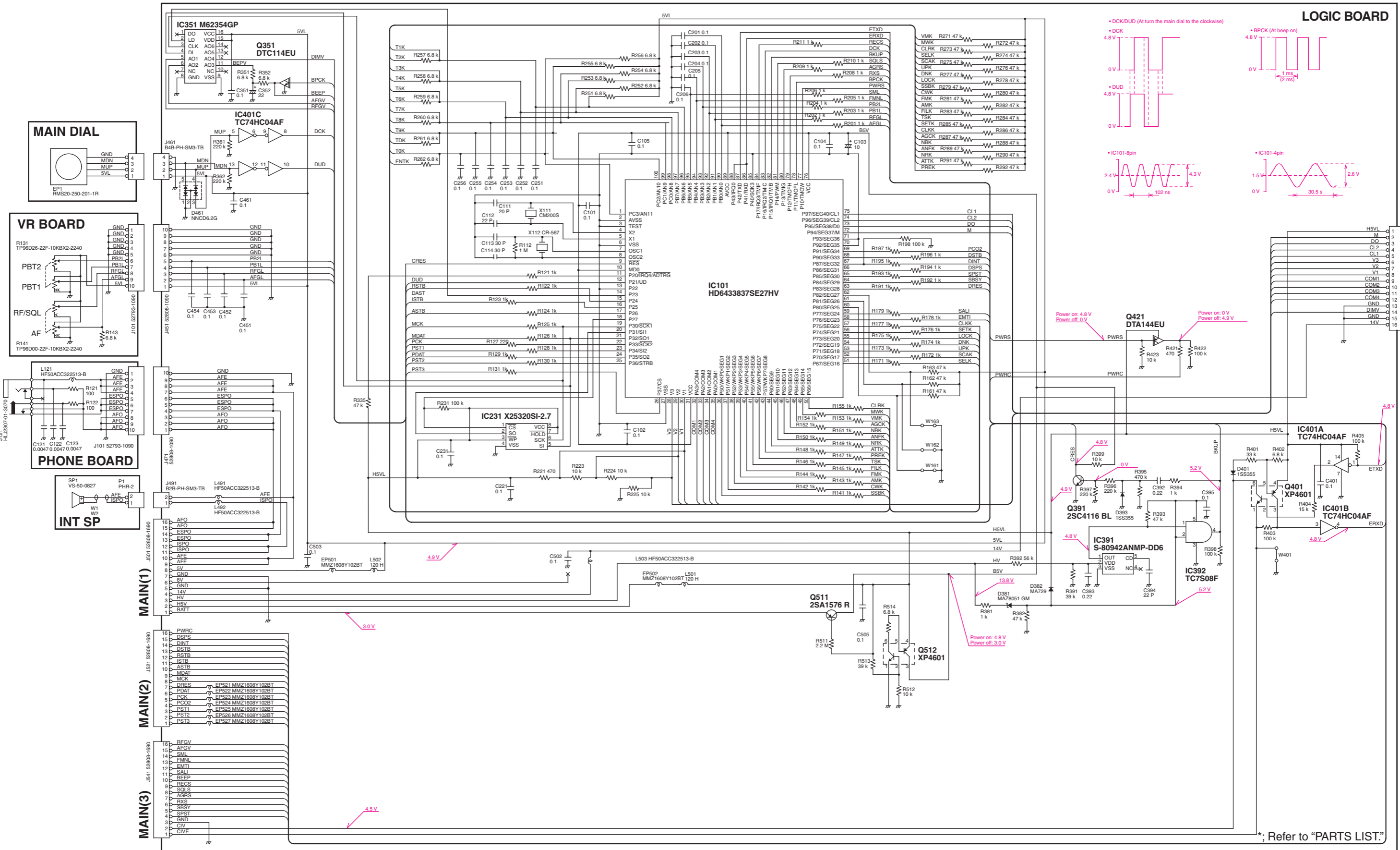


DISPLAY BOARD



To LOGIC BOARD "J411"

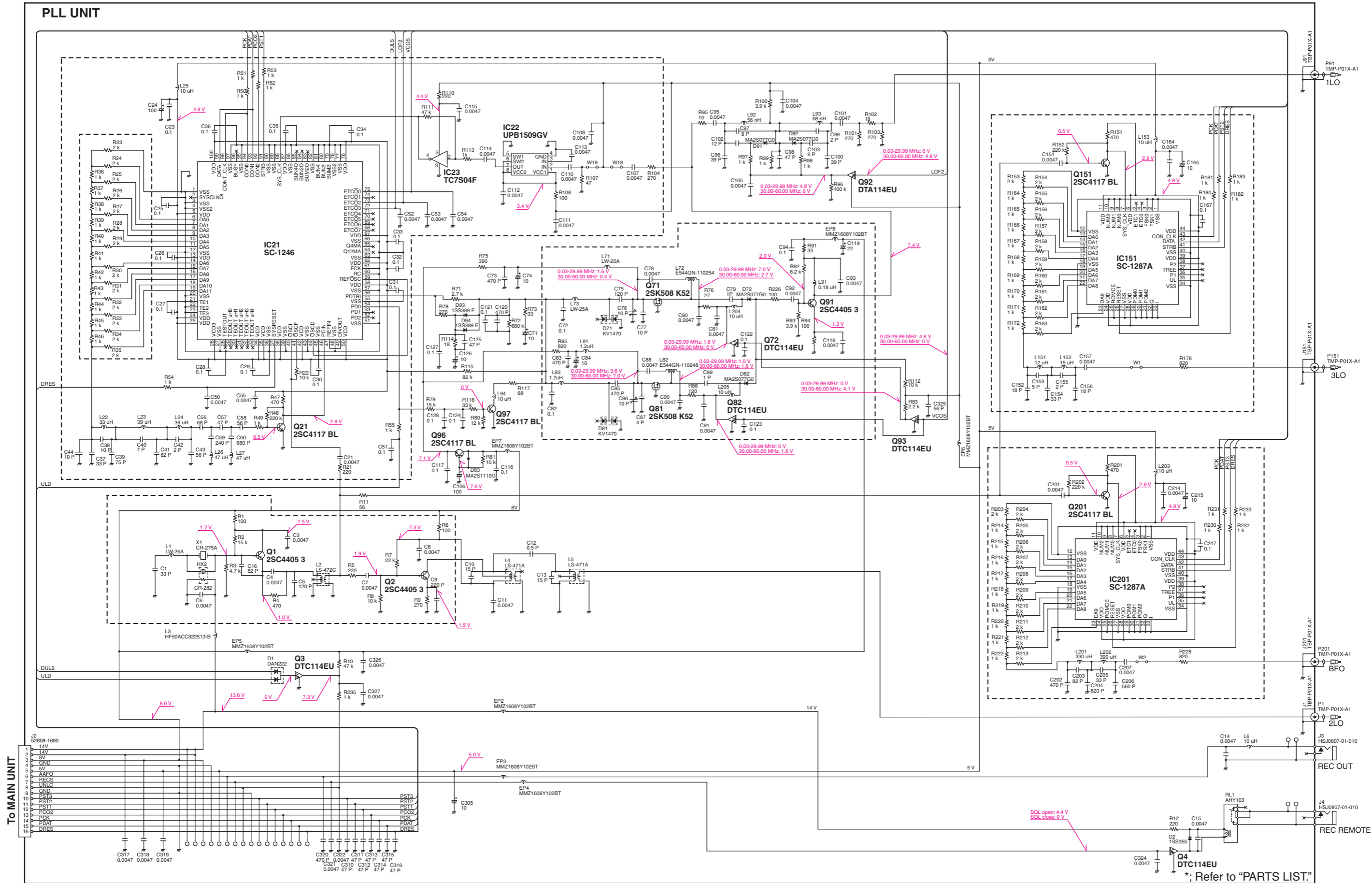
FRONT UNIT



*; Refer to "PARTS LIST"

To DISPLAY BOARD "J101"

PLL UNIT



IC-R75

CONTENTS

PARTS LIST	1
BOARD LAYOUTS	22
VOLTAGE DIAGRAM	26

MODEL	VERSION	SYMBOL	FREQUENCY RANGE
IC-R75	U.S.A.	USA	0.03-60.0 MHz
		USA-1	
		USA-2	
	Europe	EUR	
	U.K.	UK	
	Australia	AUS	
	Denmark	DEN	0.03-29.9 MHz 50-52 MHz
	South East Asia	SEA	0.03-29.9 MHz
	China	CHN	0.03-60.0 MHz
		CHN-1	
Others		OTH	
Others	OTH-1		
	OTH-2		

[LOGIC BOARD]

REF NO.	ORDER NO.	DESCRIPTION
C221	4030008630	S.CER C1608 JF 1H 104Z-T
C231	4030008630	S.CER C1608 JF 1H 104Z-T
C251	4030008630	S.CER C1608 JF 1H 104Z-T
C252	4030008630	S.CER C1608 JF 1H 104Z-T
C253	4030008630	S.CER C1608 JF 1H 104Z-T
C254	4030008630	S.CER C1608 JF 1H 104Z-T
C255	4030008630	S.CER C1608 JF 1H 104Z-T
C256	4030008630	S.CER C1608 JF 1H 104Z-T
C351	4030008630	S.CER C1608 JF 1H 104Z-T
C352	4510008660	S.ELE EEE0JA220SR
C392	4030013720	S.CER GRM188B11A224KA01D (GRM39 B)
C393	4030013720	S.CER GRM188B11A224KA01D (GRM39 B)
C394	4030007050	S.CER C1608 CH 1H 220J-T
C395	4030008630	S.CER C1608 JF 1H 104Z-T
C401	4030008630	S.CER C1608 JF 1H 104Z-T
C451	4030008630	S.CER C1608 JF 1H 104Z-T
C452	4030008630	S.CER C1608 JF 1H 104Z-T
C453	4030008630	S.CER C1608 JF 1H 104Z-T
C454	4030008630	S.CER C1608 JF 1H 104Z-T
C461	4030008630	S.CER C1608 JF 1H 104Z-T
C502	4030008630	S.CER C1608 JF 1H 104Z-T
C503	4030008630	S.CER C1608 JF 1H 104Z-T
C505	4030008630	S.CER C1608 JF 1H 104Z-T
J411	6510019981	S.CON 52808-1671(1690)
J451	6510019971	S.CON 52808-1071
J461	6510018971	S.CON B4B-PH-SM4-TB(LF)(SN)
J471	6510019971	S.CON 52808-1071
J491	6510018961	S.CON B2B-PH-SM4-TB(LF)(SN)
J501	6510019981	S.CON 52808-1671(1690)
J521	6510019981	S.CON 52808-1671(1690)
J541	6510019981	S.CON 52808-1671(1690)
EP501	6910012350	S.BEA MMZ1608Y 102BT
EP502	6910012350	S.BEA MMZ1608Y 102BT
EP521	6910012350	S.BEA MMZ1608Y 102BT
EP522	6910012350	S.BEA MMZ1608Y 102BT
EP523	6910012350	S.BEA MMZ1608Y 102BT
EP524	6910012350	S.BEA MMZ1608Y 102BT
EP525	6910012350	S.BEA MMZ1608Y 102BT
EP526	6910012350	S.BEA MMZ1608Y 102BT
EP527	6910012350	S.BEA MMZ1608Y 102BT

[PHONE UNIT]

REF NO.	ORDER NO.	DESCRIPTION
L121	6200003950	S.COI HF50ACC 322513-T
R121	7030006070	S.RES ERJ12YJ101U (100)
R122	7030006070	S.RES ERJ12YJ101U (100)
C121	4030006880	S.CER C1608 JB 1H 472K-T
C122	4030006880	S.CER C1608 JB 1H 472K-T
C123	4030006880	S.CER C1608 JB 1H 472K-T
J101	6510020711	S.CON 52793-1070(1090)
J121	6510021480	CON HLJ2307-01-3070

M.=Mounted side (T: Mounted on the Top side, B: Mounted on the Bottom side)
S.=Surface mount

[VR UNIT]

REF NO.	ORDER NO.	DESCRIPTION
R131	7210003040	VAR TP96D26-22F-10KBX2-2240
R141	7210003030	VAR TP96D00-22F-10KBX2-2240
R143	7030003540	S.RES ERJ3GEYJ 682 V (6.8K)
J101	6510020711	S.CON 52793-1070(1090)

[MAIN UNIT] (For other than [USA-2], [OTH-2], [CHN-1])

REF NO.	ORDER NO.	DESCRIPTION
WS1	8600036540	RX2240 P1241 J1241MA
IC391	1110003970	S.IC UPC1658G-E1
IC551	1130007570	S.IC BU4094BCFV-E2
IC552	1130007570	S.IC BU4094BCFV-E2
IC561	1160000131	S.IC TD62783AFG(5,S,EL)
IC562	1160000131	S.IC TD62783AFG(5,S,EL)
IC731	1110003141	IC LA1150N-E
IC811	1110002601	S.IC MC1496DR2G [USA]
	1110002600	S.IC MC1496DR2 [EUR]
	1110002601	S.IC MC1496DR2G [AUS]
	1110002600	S.IC MC1496DR2 [UK]
	1110002601	S.IC MC1496DR2G [DEN]
	1110002601	S.IC MC1496DR2G [SEA]
	1110002601	S.IC MC1496DR2G [OTH]
	1110002601	S.IC MC1496DR2G [USA-1]
	1110002601	S.IC MC1496DR2G [OTH-1]
	1110002601	S.IC MC1496DR2G [CHN]
IC1001	1110003201	S.IC TA31136FNG(EL)
IC1101	1110002601	S.IC MC1496DR2G [USA]
	1110002600	S.IC MC1496DR2 [EUR]
	1110002601	S.IC MC1496DR2G [AUS]
	1110002600	S.IC MC1496DR2 [UK]
	1110002601	S.IC MC1496DR2G [DEN]
	1110002601	S.IC MC1496DR2G [SEA]
	1110002601	S.IC MC1496DR2G [OTH]
	1110002601	S.IC MC1496DR2G [USA-1]
	1110002601	S.IC MC1496DR2G [OTH-1]
	1110002601	S.IC MC1496DR2G [CHN]
IC1201	1130009100	S.IC BU4052BCFV-E2
IC1211	1110003870	S.IC NJM2058M-TE1-#ZZZB
IC1251	1110003300	S.IC M5282FP 70CD
IC1281	1130009100	S.IC BU4052BCFV-E2
IC1291	1110003091	IC LA4425A-E
IC1361	1180000970	S.IC AN78L05M-(E1)
IC1371	1180001531	IC PQ30RV31J00H
IC1391	1180001251	S.IC TA7808F(TE16L,Q)
IC1401	1180001071	S.IC TA7805F(TE16L,Q)
IC1411	1110001401	S.IC UPC1555G2-E1-A
IC1601	1130007570	S.IC BU4094BCFV-E2
IC1602	1130007570	S.IC BU4094BCFV-E2
IC1603	1160000131	S.IC TD62783AFG(5,S,EL)
IC1751	1120002510	S.IC DS14C232TM S
IC1771	1130005721	S.IC TC7W04F(TE12L,F)
IC2001	1110004940	S.IC MC13022ADWR3 [USA]
	1110004940	S.IC MC13022ADWR3 [EUR]
	1110004940	S.IC MC13022ADWR3 [AUS]
	1110004940	S.IC MC13022ADWR3 [UK]
	1110004940	S.IC MC13022ADWR3 [DEN]
	1110004940	S.IC MC13022ADWR3 [SEA]
	1110004940	S.IC MC13022ADWR3 [OTH]
Q151	1590000680	S.TRA DTC114EUA T106
Q381	1560000721	S.FET 2SK2171-4-TD-E
Q382	1560000721	S.FET 2SK2171-4-TD-E
Q383	1590001960	S.TRA XP4311(TX)
Q391	1590001960	S.TRA XP4311(TX)
Q411	1530003151	S.TRA 2SC4673D-TD-E
Q441	1560000641	S.FET 2SK1740-4/5-TB-E
Q442	1560000641	S.FET 2SK1740-4/5-TB-E
Q471	1580000620	S.FET 3SK131-T2 MAS
Q472	1590001960	S.TRA XP4311(TX)
Q721	1580000620	S.FET 3SK131-T2 MAS
Q731	1560000561	S.FET 2SK882-GR(TE85L,F)
Q732	1510000510	S.TRA 2SA1576A T106R
Q733	1530002060	S.TRA 2SC4081 T106 R
Q734	1530002060	S.TRA 2SC4081 T106 R
Q735	1530002060	S.TRA 2SC4081 T106 R
Q736	1590000680	S.TRA DTC114EUA T106
Q737	1590001960	S.TRA XP4311(TX)
Q801	1530002060	S.TRA 2SC4081 T106 R
Q891	1580000620	S.FET 3SK131-T2 MAS
Q911	1560000561	S.FET 2SK882-GR(TE85L,F)
Q912	1530002060	S.TRA 2SC4081 T106 R
Q1001	1560000561	S.FET 2SK882-GR(TE85L,F)
Q1031	1530002060	S.TRA 2SC4081 T106 R
Q1051	1530002060	S.TRA 2SC4081 T106 R
Q1061	1590001960	S.TRA XP4311(TX)
Q1063	1530002060	S.TRA 2SC4081 T106 R
Q1064	1590001960	S.TRA XP4311(TX)
Q1065	1590001960	S.TRA XP4311(TX)
Q1066	1590001960	S.TRA XP4311(TX)
Q1311	1530002060	S.TRA 2SC4081 T106 R
Q1381	1540000550	S.TRA 2SD1664 T100Q
Q1382	1590000680	S.TRA DTC114EUA T106
Q1771	1510000510	S.TRA 2SA1576A T106R
Q1772	1530002060	S.TRA 2SC4081 T106 R
Q2021	1530003091	S.TRA 2SC4213-B(TE85R,F) [USA]
	1530003091	S.TRA 2SC4213-B(TE85R,F) [EUR]
	1530003091	S.TRA 2SC4213-B(TE85R,F) [AUS]
	1530003091	S.TRA 2SC4213-B(TE85R,F) [UK]
	1530003091	S.TRA 2SC4213-B(TE85R,F) [DEN]
	1530003091	S.TRA 2SC4213-B(TE85R,F) [SEA]
	1530003091	S.TRA 2SC4213-B(TE85R,F) [OTH]
D141	1750000461	S.DIO 1SV246-TL-E
D142	1750000461	S.DIO 1SV246-TL-E
D151	1750000971	S.DIO CPH5513-TL-E
D172	1790000620	S.DIO MA77(TX)
D181	1750000971	S.DIO CPH5513-TL-E
D182	1790000620	S.DIO MA77(TX)

M.=Mounted side (T: Mounted on the Top side, B: Mounted on the Bottom side)
S.=Surface mount

[MAIN UNIT] (For other than [USA-2], [OTH-2], [CHN-1])

REF NO.	ORDER NO.	DESCRIPTION	
R854	7030003560	S.RES ERJ3GEYJ 103 V (10K)	
R855	7030003560	S.RES ERJ3GEYJ 103 V (10K)	
R861	7030003560	S.RES ERJ3GEYJ 103 V (10K)	
R862	7030003360	S.RES ERJ3GEYJ 221 V (220)	
R863	7030003360	S.RES ERJ3GEYJ 221 V (220)	
R864	7030003560	S.RES ERJ3GEYJ 103 V (10K)	
R865	7030003560	S.RES ERJ3GEYJ 103 V (10K)	
R871	7030003510	S.RES ERJ3GEYJ 392 V (3.9K)	
R872	7030003360	S.RES ERJ3GEYJ 221 V (220)	
R873	7030003360	S.RES ERJ3GEYJ 221 V (220)	
R874	7030003510	S.RES ERJ3GEYJ 392 V (3.9K)	
R875	7030003560	S.RES ERJ3GEYJ 103 V (10K)	
R881	7030003510	S.RES ERJ3GEYJ 392 V (3.9K)	
R882	7030003360	S.RES ERJ3GEYJ 221 V (220)	
R883	7030003360	S.RES ERJ3GEYJ 221 V (220)	
R884	7030003510	S.RES ERJ3GEYJ 392 V (3.9K)	
R885	7030003560	S.RES ERJ3GEYJ 103 V (10K)	
R891	7030003560	S.RES ERJ3GEYJ 103 V (10K)	
R892	7030003320	S.RES ERJ3GEYJ 101 V (100)	
R893	7030003480	S.RES ERJ3GEYJ 221 V (2.2K)	
R894	7030003600	S.RES ERJ3GEYJ 223 V (22K)	
R895	7030003380	S.RES ERJ3GEYJ 331 V (330)	
R896	7030003500	S.RES ERJ3GEYJ 332 V (3.3K)	
R897	7030003320	S.RES ERJ3GEYJ 101 V (100)	
R898	7310005540	S.TRI TMC3ADC14X (10K)	
R911	7030003320	S.RES ERJ3GEYJ 101 V (100)	
R912	7030003480	S.RES ERJ3GEYJ 222 V (2.2K)	
R913	7030003320	S.RES ERJ3GEYJ 101 V (100)	
R914	7030003560	S.RES ERJ3GEYJ 103 V (10K)	
R915	7030003560	S.RES ERJ3GEYJ 103 V (10K)	
R1001	7030003520	S.RES ERJ3GEYJ 472 V (4.7K)	
R1002	7030003320	S.RES ERJ3GEYJ 101 V (100)	
R1003	7030003700	S.RES ERJ3GEYJ 154 V (150K)	
R1004	7030003500	S.RES ERJ3GEYJ 332 V (3.3K)	
R1005	7030003720	S.RES ERJ3GEYJ 224 V (220K)	
R1006	7030003460	S.RES ERJ3GEYJ 152 V (1.5K)	
R1007	7030003360	S.RES ERJ3GEYJ 221 V (220)	
R1008	7030003720	S.RES ERJ3GEYJ 224 V (220K)	
R1021	7030003560	S.RES ERJ3GEYJ 103 V (10K)	
R1022	7030003630	S.RES ERJ3GEYJ 393 V (39K)	
R1023	7030003660	S.RES ERJ3GEYJ 683 V (68K)	
R1024	7030003640	S.RES ERJ3GEYJ 473 V (47K)	
R1031	7030003360	S.RES ERJ3GEYJ 221 V (220)	
R1032	7030003720	S.RES ERJ3GEYJ 224 V (220K)	
R1033	7030003440	S.RES ERJ3GEYJ 102 V (1K)	
R1041	7030003440	S.RES ERJ3GEYJ 102 V (1K)	[USA-1] [OTH-1] [CHN]
R1042	7030003440	S.RES ERJ3GEYJ 102 V (1K)	[USA-1] [OTH-1] [CHN]
R1043	7030003440	S.RES ERJ3GEYJ 102 V (1K)	[USA-1] [OTH-1] [CHN]
R1044	7030003660	S.RES ERJ3GEYJ 683 V (68K)	[USA-1] [OTH-1] [CHN]
R1045	7030003640	S.RES ERJ3GEYJ 473 V (47K)	[USA-1] [OTH-1] [CHN]
R1051	7030003490	S.RES ERJ3GEYJ 272 V (2.7K)	
R1052	7030003520	S.RES ERJ3GEYJ 472 V (4.7K)	
R1053	7030003400	S.RES ERJ3GEYJ 471 V (470)	
R1061	7030003680	S.RES ERJ3GEYJ 104 V (100K)	
R1062	7030003600	S.RES ERJ3GEYJ 223 V (22K)	
R1063	7030003440	S.RES ERJ3GEYJ 102 V (1K)	
R1064	7030003780	S.RES ERJ3GEYJ 684 V (680K)	
R1065	7030003520	S.RES ERJ3GEYJ 472 V (4.7K)	
R1066	7030003600	S.RES ERJ3GEYJ 223 V (22K)	
R1067	7030003740	S.RES ERJ3GEYJ 334 V (330K)	
R1068	7030003560	S.RES ERJ3GEYJ 103 V (10K)	
R1081	7030003360	S.RES ERJ3GEYJ 221 V (220)	
R1082	7030003440	S.RES ERJ3GEYJ 102 V (1K)	
R1084	7030003640	S.RES ERJ3GEYJ 473 V (47K)	
R1101	7030003440	S.RES ERJ3GEYJ 102 V (1K)	
R1102	7030003460	S.RES ERJ3GEYJ 152 V (1.5K)	
R1103	7030003440	S.RES ERJ3GEYJ 102 V (1K)	
R1104	7030003500	S.RES ERJ3GEYJ 332 V (3.3K)	
R1105	7030003480	S.RES ERJ3GEYJ 222 V (2.2K)	
R1106	7030003200	S.RES ERJ3GEYJ 100 V (10)	
R1107	7030003460	S.RES ERJ3GEYJ 152 V (1.5K)	
R1108	7030003440	S.RES ERJ3GEYJ 102 V (1K)	
R1109	7030003440	S.RES ERJ3GEYJ 102 V (1K)	
R1110	7030003480	S.RES ERJ3GEYJ 222 V (2.2K)	
R1111	7030003200	S.RES ERJ3GEYJ 100 V (10)	
R1201	7030003660	S.RES ERJ3GEYJ 683 V (68K)	
R1202	7030003480	S.RES ERJ3GEYJ 222 V (2.2K)	
R1203	7030003670	S.RES ERJ3GEYJ 823 V (82K)	[USA-1] [OTH-1] [CHN]
R1204	7030003640	S.RES ERJ3GEYJ 473 V (47K)	[USA] [EUR] [AUS] [JUK] [DEN] [SEA] [OTH]
R1205	7030003640	S.RES ERJ3GEYJ 473 V (47K)	[USA] [EUR] [AUS] [JUK] [DEN] [SEA] [OTH]

[MAIN UNIT] (For other than [USA-2], [OTH-2], [CHN-1])

REF NO.	ORDER NO.	DESCRIPTION	
R1211	7030003640	S.RES ERJ3GEYJ 473 V (47K)	
R1212	7030003630	S.RES ERJ3GEYJ 393 V (39K)	
R1213	7030003630	S.RES ERJ3GEYJ 393 V (39K)	
R1214	7030003630	S.RES ERJ3GEYJ 393 V (39K)	
R1215	7030003630	S.RES ERJ3GEYJ 393 V (39K)	
R1231	7030003400	S.RES ERJ3GEYJ 471 V (470)	
R1232	7030003400	S.RES ERJ3GEYJ 471 V (470)	
R1233	7030003400	S.RES ERJ3GEYJ 471 V (470)	
R1234	7030003400	S.RES ERJ3GEYJ 471 V (470)	
R1235	7030003400	S.RES ERJ3GEYJ 471 V (470)	
R1236	7030003400	S.RES ERJ3GEYJ 471 V (470)	
R1251	7030003680	S.RES ERJ3GEYJ 104 V (100K)	
R1252	7030003680	S.RES ERJ3GEYJ 104 V (100K)	
R1253	7030003680	S.RES ERJ3GEYJ 104 V (100K)	
R1254	7310005580	S.TRI TMC3ADC3X (4.7K)	
R1255	7030003400	S.RES ERJ3GEYJ 471 V (470)	
R1256	7030003640	S.RES ERJ3GEYJ 473 V (47K)	
R1257	7030003560	S.RES ERJ3GEYJ 103 V (10K)	
R1258	7030003520	S.RES ERJ3GEYJ 472 V (4.7K)	
R1259	7030003520	S.RES ERJ3GEYJ 472 V (4.7K)	
R1260	7030003320	S.RES ERJ3GEYJ 101 V (100)	
R1261	7030003480	S.RES ERJ3GEYJ 222 V (2.2K)	
R1262	7030003550	S.RES ERJ3GEYJ 822 V (8.2K)	
R1263	7030003610	S.RES ERJ3GEYJ 273 V (27K)	
R1271	7030003640	S.RES ERJ3GEYJ 473 V (47K)	
R1272	7030003440	S.RES ERJ3GEYJ 102 V (1K)	
R1281	7030003680	S.RES ERJ3GEYJ 104 V (100K)	
R1291	7030003550	S.RES ERJ3GEYJ 822 V (8.2K)	
R1292	7030003400	S.RES ERJ3GEYJ 471 V (470)	
R1293	7030003400	S.RES ERJ3GEYJ 471 V (470)	
R1311	7030003520	S.RES ERJ3GEYJ 472 V (4.7K)	
R1312	7030003620	S.RES ERJ3GEYJ 333 V (33K)	
R1313	7030003580	S.RES ERJ3GEYJ 153 V (15K)	
R1314	7030003640	S.RES ERJ3GEYJ 473 V (47K)	
R1351	7030003200	S.RES ERJ3GEYJ 100 V (10)	
R1371	7030003520	S.RES ERJ3GEYJ 472 V (4.7K)	
R1372	7030003640	S.RES ERJ3GEYJ 473 V (47K)	
R1374	7030003520	S.RES ERJ3GEYJ 472 V (4.7K)	
R1381	7030003280	S.RES ERJ3GEYJ 470 V (47)	
R1382	7030003480	S.RES ERJ3GEYJ 222 V (2.2K)	
R1401	7070001060	RES ERG2SJ 120	
R1411	7030003320	S.RES ERJ3GEYJ 101 V (100)	
R1412	7030003560	S.RES ERJ3GEYJ 103 V (10K)	
R1413	7030003680	S.RES ERJ3GEYJ 104 V (100K)	
R1414	7030003320	S.RES ERJ3GEYJ 101 V (100)	
R1415	7030003320	S.RES ERJ3GEYJ 101 V (100)	
R1416	7030003320	S.RES ERJ3GEYJ 101 V (100)	
R1771	7030003540	S.RES ERJ3GEYJ 682 V (6.8K)	[USA] [EUR] [AUS] [JUK] [DEN] [SEA] [OTH]
R1772	7030003620	S.RES ERJ3GEYJ 333 V (33K)	
R1773	7030003640	S.RES ERJ3GEYJ 473 V (47K)	
R1774	7030003580	S.RES ERJ3GEYJ 153 V (15K)	
R2001	7030003560	S.RES ERJ3GEYJ 103 V (10K)	[USA] [EUR] [AUS] [JUK] [DEN] [SEA] [OTH]
R2002	7030003560	S.RES ERJ3GEYJ 103 V (10K)	[USA] [EUR] [AUS] [JUK] [DEN] [SEA] [OTH]
R2011	7030003560	S.RES ERJ3GEYJ 103 V (10K)	[USA] [EUR] [AUS] [JUK] [DEN] [SEA] [OTH]
R2012	7030003680	S.RES ERJ3GEYJ 104 V (100K)	[USA] [EUR] [AUS] [JUK] [DEN] [SEA] [OTH]
R2021	7030003510	S.RES ERJ3GEYJ 392 V (3.9K)	[USA] [EUR] [AUS] [JUK] [DEN] [SEA] [OTH]
R2022	7030003440	S.RES ERJ3GEYJ 102 V (1K)	[USA] [EUR] [AUS] [JUK] [DEN] [SEA] [OTH]
R2023	7010006940	RES PSD1/4 1 K	[USA] [EUR] [AUS] [JUK] [DEN] [SEA] [OTH]

M.=Mounted side (T: Mounted on the Top side, B: Mounted on the Bottom side)
S.=Surface mount

[MAIN UNIT] (For other than [USA-2], [OTH-2], [CHN-1])

REF NO.	ORDER NO.	DESCRIPTION		
C2021	4030006860	S.CER C1608 JB 1H 102K-T	[USA]	
	4030006860	S.CER C1608 JB 1H 102K-T	[EUR]	
	4030006860	S.CER C1608 JB 1H 102K-T	[AUS]	
	4030006860	S.CER C1608 JB 1H 102K-T	[UK]	
	4030006860	S.CER C1608 JB 1H 102K-T	[DEN]	
C2022	4030006860	S.CER C1608 JB 1H 102K-T	[SEA]	
	4030006860	S.CER C1608 JB 1H 102K-T	[OTH]	
	4030007080	S.CER C1608 CH 1H 390J-T	[USA]	
	4030007080	S.CER C1608 CH 1H 390J-T	[EUR]	
	4030007080	S.CER C1608 CH 1H 390J-T	[AUS]	
C2023	4030007080	S.CER C1608 CH 1H 390J-T	[UK]	
	4030007080	S.CER C1608 CH 1H 390J-T	[DEN]	
	4030007080	S.CER C1608 CH 1H 390J-T	[SEA]	
	4030007080	S.CER C1608 CH 1H 390J-T	[OTH]	
	4030007020	S.CER C1608 CH 1H 120J-T	[USA]	
	4030007020	S.CER C1608 CH 1H 120J-T	[EUR]	
	4030007020	S.CER C1608 CH 1H 120J-T	[AUS]	
	4030007020	S.CER C1608 CH 1H 120J-T	[UK]	
	4030007020	S.CER C1608 CH 1H 120J-T	[DEN]	
	4030007020	S.CER C1608 CH 1H 120J-T	[SEA]	
C2024	4510008520	S.ELE EEE1CA470SP	[OTH]	
	4510008520	S.ELE EEE1CA470SP	[USA]	
	4510008520	S.ELE EEE1CA470SP	[EUR]	
	4510008520	S.ELE EEE1CA470SP	[AUS]	
	4510008520	S.ELE EEE1CA470SP	[UK]	
C2031	4510008520	S.ELE EEE1CA470SP	[DEN]	
	4510008520	S.ELE EEE1CA470SP	[SEA]	
	4510008520	S.ELE EEE1CA470SP	[OTH]	
	4030006860	S.CER C1608 JB 1H 102K-T	[USA]	
	4030006860	S.CER C1608 JB 1H 102K-T	[EUR]	
	4030006860	S.CER C1608 JB 1H 102K-T	[AUS]	
	4030006860	S.CER C1608 JB 1H 102K-T	[UK]	
	4030006860	S.CER C1608 JB 1H 102K-T	[DEN]	
	4030006860	S.CER C1608 JB 1H 102K-T	[SEA]	
	4030006860	S.CER C1608 JB 1H 102K-T	[OTH]	
C2032	4030006860	S.CER C1608 JB 1H 102K-T	[USA]	
	4030006860	S.CER C1608 JB 1H 102K-T	[EUR]	
	4030006860	S.CER C1608 JB 1H 102K-T	[AUS]	
	4030006860	S.CER C1608 JB 1H 102K-T	[UK]	
	4030006860	S.CER C1608 JB 1H 102K-T	[DEN]	
C2033	4030006860	S.CER C1608 JB 1H 102K-T	[SEA]	
	4030006860	S.CER C1608 JB 1H 102K-T	[OTH]	
	4030006860	S.CER C1608 JB 1H 102K-T	[USA]	
	4030006860	S.CER C1608 JB 1H 102K-T	[EUR]	
	4030006860	S.CER C1608 JB 1H 102K-T	[AUS]	
C2034	4030006860	S.CER C1608 JB 1H 102K-T	[UK]	
	4030006860	S.CER C1608 JB 1H 102K-T	[DEN]	
	4030006860	S.CER C1608 JB 1H 102K-T	[SEA]	
	4030006860	S.CER C1608 JB 1H 102K-T	[OTH]	
	4030006860	S.CER C1608 JB 1H 102K-T	[USA]	
	4030006860	S.CER C1608 JB 1H 102K-T	[EUR]	
	4030006860	S.CER C1608 JB 1H 102K-T	[AUS]	
	4030006860	S.CER C1608 JB 1H 102K-T	[UK]	
	4030006860	S.CER C1608 JB 1H 102K-T	[DEN]	
	4030006860	S.CER C1608 JB 1H 102K-T	[SEA]	
C2035	4030011600	S.CER C1608 JB 1E 104K-T	[OTH]	
	4030011600	S.CER C1608 JB 1E 104K-T	[USA]	
	4030011600	S.CER C1608 JB 1E 104K-T	[EUR]	
	4030011600	S.CER C1608 JB 1E 104K-T	[AUS]	
	4030011600	S.CER C1608 JB 1E 104K-T	[UK]	
C2036	4030011600	S.CER C1608 JB 1E 104K-T	[DEN]	
	4030011600	S.CER C1608 JB 1E 104K-T	[SEA]	
	4030011600	S.CER C1608 JB 1E 104K-T	[OTH]	
	4030011600	S.CER C1608 JB 1E 104K-T	[USA]	
	4030011600	S.CER C1608 JB 1E 104K-T	[EUR]	
	4030011600	S.CER C1608 JB 1E 104K-T	[AUS]	
	4030011600	S.CER C1608 JB 1E 104K-T	[UK]	
	4030011600	S.CER C1608 JB 1E 104K-T	[DEN]	
	4030011600	S.CER C1608 JB 1E 104K-T	[SEA]	
	4030011600	S.CER C1608 JB 1E 104K-T	[OTH]	
C2037	4030006860	S.CER C1608 JB 1H 102K-T	[USA]	
	4030006860	S.CER C1608 JB 1H 102K-T	[EUR]	
	4030006860	S.CER C1608 JB 1H 102K-T	[AUS]	
	4030006860	S.CER C1608 JB 1H 102K-T	[UK]	
	4030006860	S.CER C1608 JB 1H 102K-T	[DEN]	
C2041	4030006860	S.CER C1608 JB 1H 102K-T	[SEA]	
	4030006860	S.CER C1608 JB 1H 102K-T	[OTH]	
	4510008540	S.ELE EEE1CA100SR	[USA]	
	4510008540	S.ELE EEE1CA100SR	[EUR]	
	4510008540	S.ELE EEE1CA100SR	[AUS]	
C2042	4510008540	S.ELE EEE1CA100SR	[UK]	
	4510008540	S.ELE EEE1CA100SR	[DEN]	
	4510008540	S.ELE EEE1CA100SR	[SEA]	
	4510008540	S.ELE EEE1CA100SR	[OTH]	
	4510008540	S.ELE EEE1CA100SR	[USA]	
	4030011600	S.CER C1608 JB 1E 104K-T	[EUR]	
	4030011600	S.CER C1608 JB 1E 104K-T	[AUS]	
	4030011600	S.CER C1608 JB 1E 104K-T	[UK]	
	4030011600	S.CER C1608 JB 1E 104K-T	[DEN]	
	4030011600	S.CER C1608 JB 1E 104K-T	[SEA]	
C2051	4030011600	S.CER C1608 JB 1E 104K-T	[OTH]	
	4510008530	S.ELE EEE1HA2R2SR	[USA]	
	4510008530	S.ELE EEE1HA2R2SR	[EUR]	
	4510008530	S.ELE EEE1HA2R2SR	[AUS]	
	4510008530	S.ELE EEE1HA2R2SR	[UK]	
	4510008530	S.ELE EEE1HA2R2SR	[DEN]	
	4510008530	S.ELE EEE1HA2R2SR	[SEA]	
	4510008530	S.ELE EEE1HA2R2SR	[OTH]	
	RL121	6330000180	REL MZ-12HG	
	RL141	6330000180	REL MZ-12HG	

[MAIN UNIT] (For other than [USA-2], [OTH-2], [CHN-1])

REF NO.	ORDER NO.	DESCRIPTION	
CP731	6910009670	S.CHE HK3-S-T	
J101	6510021460	CON PT-C02P01	
J111	6510007020	CON TMP-J01X-V6	
J411	6510007020	CON TMP-J01X-V6	
J491	6510007020	CON TMP-J01X-V6	
J781	6450001560	CON PD-72	
J782	6450001560	CON PD-72	
J783	6450001560	CON PD-72	
J784	6450001560	CON PD-72	
J811	6510007020	CON TMP-J01X-V6	
J881	6450001560	CON PD-72	
J882	6450001560	CON PD-72	
J883	6450001560	CON PD-72	
J884	6450001560	CON PD-72	
J1081	6510007020	CON TMP-J01X-V6	
J1221	6510018971	S.CON B4B-PH-SM4-TB(LF)(SN)	
J1231	6510019971	S.CON 52808-1071	
J1271	6510019191	S.CON 52365-0871	
J1311	6450001800	CON JPJ1044-01-010	
J1321	6450000140	CON HSJ0807-01-010	
J1351	6510023650	CON HEC0740-010618	
J1501	6510019981	S.CON 52808-1671(1690)	
J1521	6510019981	S.CON 52808-1671(1690)	
J1522	6510021861	CON BH-800.4GG <LTC>	
J1541	6510019981	S.CON 52808-1671(1690)	
J1561	6510019981	S.CON 52808-1671(1690)	
J1701	6450000140	CON HSJ0807-01-010	
J1751	6510021241	CON DELC-J9SAF-23L9E	
F1351	5210000051	FUS FGB 3A PBF (FGB0 125V)	
F1352	5220000230	HOL S-N5054 #01	
F1353	5220000230	HOL S-N5054 #01	
BT1521	3020000110	LIT CR2032	

M.=Mounted side (T: Mounted on the Top side, B: Mounted on the Bottom side)
S.=Surface mount

[PLL UNIT]

REF NO.	ORDER NO.	DESCRIPTION
C322	4030006880	S.CER C1608 JB 1H 472K-T
C323	4030006880	S.CER C1608 JB 1H 472K-T
C324	4030006880	S.CER C1608 JB 1H 472K-T
C325	4030007100	S.CER C1608 CH 1H 560J-T
C326	4030006880	S.CER C1608 JB 1H 472K-T
C327	4030006880	S.CER C1608 JB 1H 472K-T
C328	4030009500	S.CER C1608 CH 1H 0R5B-T
C329	4030006850	S.CER C1608 JB 1H 471K-T
C330	4030006880	S.CER C1608 JB 1H 472K-T
C331	4030006880	S.CER C1608 JB 1H 472K-T
C332	4030006880	S.CER C1608 JB 1H 472K-T
RL1	6330001320	REL AHY103
J2	6510019981	S.CON 52808-1671(1690)
J3	6450000140	CON HSJ0807-01-010
J4	6450000140	CON HSJ0807-01-010
EP2	6910012350	S.BEA MMZ1608Y 102BT
EP3	6910012350	S.BEA MMZ1608Y 102BT
EP4	6910012350	S.BEA MMZ1608Y 102BT
EP5	6910012350	S.BEA MMZ1608Y 102BT
EP6	6910012350	S.BEA MMZ1608Y 102BT
EP7	6910012350	S.BEA MMZ1608Y 102BT
EP8	6910012350	S.BEA MMZ1608Y 102BT
EP9	6910012350	S.BEA MMZ1608Y 102BT
EP10	6910012350	S.BEA MMZ1608Y 102BT
EP11	6910012350	S.BEA MMZ1608Y 102BT
EP12	6910012350	S.BEA MMZ1608Y 102BT
EP13	6910012350	S.BEA MMZ1608Y 102BT
EP14	6910012350	S.BEA MMZ1608Y 102BT

[DISPLAY UNIT]

REF NO.	ORDER NO.	DESCRIPTION
IC101	1130013870	S.IC NJU6445FCI-#ZZZB
IC102	1130003831	S.IC TC7S04F(TE85R,F)
IC103	1130008511	S.IC TC7W53FU(TE12L,F)
Q11	1530002851	S.TRA 2SC4116-BL(TE85R,F)
Q21	1530002851	S.TRA 2SC4116-BL(TE85R,F)
Q31	1530002851	S.TRA 2SC4116-BL(TE85R,F)
Q41	1530002851	S.TRA 2SC4116-BL(TE85R,F)
Q51	1530002851	S.TRA 2SC4116-BL(TE85R,F)
Q61	1530002851	S.TRA 2SC4116-BL(TE85R,F)
Q71	1530002851	S.TRA 2SC4116-BL(TE85R,F)
Q81	1530002851	S.TRA 2SC4116-BL(TE85R,F)
R11	7030000320	S.RES MCR10EZHZJ 330 (331)
R12	7030003360	S.RES ERJ3GEYJ 221 V (220)
R21	7030000320	S.RES MCR10EZHZJ 330 (331)
R22	7030003360	S.RES ERJ3GEYJ 221 V (220)
R31	7030000320	S.RES MCR10EZHZJ 330 (331)
R32	7030003360	S.RES ERJ3GEYJ 221 V (220)
R41	7030000320	S.RES MCR10EZHZJ 330 (331)
R42	7030003360	S.RES ERJ3GEYJ 221 V (220)
R51	7030000320	S.RES MCR10EZHZJ 330 (331)
R52	7030003360	S.RES ERJ3GEYJ 221 V (220)
R61	7030000320	S.RES MCR10EZHZJ 330 (331)
R62	7030003360	S.RES ERJ3GEYJ 221 V (220)
R71	7030000320	S.RES MCR10EZHZJ 330 (331)
R72	7030003360	S.RES ERJ3GEYJ 221 V (220)
R81	7030000320	S.RES MCR10EZHZJ 330 (331)
R82	7030003360	S.RES ERJ3GEYJ 221 V (220)
C101	4030008630	S.CER C1608 JF 1H 104Z-T
C103	4030008630	S.CER C1608 JF 1H 104Z-T
C104	4030008630	S.CER C1608 JF 1H 104Z-T
C105	4030008630	S.CER C1608 JF 1H 104Z-T
C106	4030008630	S.CER C1608 JF 1H 104Z-T
J101	6510019981	S.CON 52808-1671(1690)
DS11	5040002940	S.LED TLYU1002A(T02)
DS12	5040002940	S.LED TLYU1002A(T02)
DS13	5040002940	S.LED TLYU1002A(T02)
DS21	5040002940	S.LED TLYU1002A(T02)
DS22	5040002940	S.LED TLYU1002A(T02)
DS23	5040002940	S.LED TLYU1002A(T02)
DS31	5040002940	S.LED TLYU1002A(T02)
DS32	5040002940	S.LED TLYU1002A(T02)
DS33	5040002940	S.LED TLYU1002A(T02)
DS41	5040002940	S.LED TLYU1002A(T02)
DS42	5040002940	S.LED TLYU1002A(T02)
DS43	5040002940	S.LED TLYU1002A(T02)
DS51	5040002940	S.LED TLYU1002A(T02)
DS52	5040002940	S.LED TLYU1002A(T02)
DS53	5040002940	S.LED TLYU1002A(T02)
DS61	5040002940	S.LED TLYU1002A(T02)
DS62	5040002940	S.LED TLYU1002A(T02)
DS63	5040002940	S.LED TLYU1002A(T02)
DS71	5040002940	S.LED TLYU1002A(T02)
DS72	5040002940	S.LED TLYU1002A(T02)
DS73	5040002940	S.LED TLYU1002A(T02)
DS81	5040002940	S.LED TLYU1002A(T02)
DS82	5040002940	S.LED TLYU1002A(T02)
DS83	5040002940	S.LED TLYU1002A(T02)
DS101	5030001690	LCD HLC7395-012400
EP2	8930049631	LCD SRCN-2240-SP-N-W-1 (SHJ)

M.=Mounted side (T: Mounted on the Top side, B: Mounted on the Bottom side)
S.=Surface mount

[MAIN-A UNIT] (For [USA-2], [OTH-2], [CHN-1])

Table with 3 columns: REF NO., ORDER NO., DESCRIPTION. Contains multiple rows of part numbers and descriptions, including items like RX2240 P1241*J1241MA, CD4094BPWR, and DTC114EUA T106.

[MAIN-A UNIT] (For [USA-2], [OTH-2], [CHN-1])

Table with 3 columns: REF NO., ORDER NO., DESCRIPTION. Contains multiple rows of part numbers and descriptions, including items like S.DIO MA77(TX), S.COI NLV32T-R10J, and S.DIO MA77(TX).

M.=Mounted side (T: Mounted on the Top side, B: Mounted on the Bottom side) S.=Surface mount

[MAIN-A UNIT] (For [USA-2], [OTH-2], [CHN-1])

REF NO.	ORDER NO.	DESCRIPTION	
C1272	4030011600	S.CER	C1608 JB 1E 104K-T
C1281	4030006900	S.CER	C1608 JB 1H 103K-T
C1282	4030006900	S.CER	C1608 JB 1H 103K-T
C1292	4510008540	S.ELE	EEE1CA100SR
C1293	4030011600	S.CER	C1608 JB 1E 104K-T
C1294	4030011600	S.CER	C1608 JB 1E 104K-T
C1295	4510004591	ELE	16 ME 470 HC
C1296	4510004591	ELE	16 ME 470 HC
C1311	4030006900	S.CER	C1608 JB 1H 103K-T
C1312	4030006900	S.CER	C1608 JB 1H 103K-T
C1321	4030006900	S.CER	C1608 JB 1H 103K-T
C1322	4030006860	S.CER	C1608 JB 1H 102K-T
C1351	4030006900	S.CER	C1608 JB 1H 103K-T
C1352	4030006900	S.CER	C1608 JB 1H 103K-T
C1353	4510004510	ELE	25 ME 470 HC
C1361	4510008530	S.ELE	EEE1HA2R2SR
C1362	4030011600	S.CER	C1608 JB 1E 104K-T
C1363	4030011600	S.CER	C1608 JB 1E 104K-T
C1364	4030011600	S.CER	C1608 JB 1E 104K-T
C1365	4510008540	S.ELE	EEE1CA100SR
C1371	4510008530	S.ELE	EEE1HA2R2SR
C1372	4030011600	S.CER	C1608 JB 1E 104K-T
C1373	4030011600	S.CER	C1608 JB 1E 104K-T
C1374	4030011600	S.CER	C1608 JB 1E 104K-T
C1375	4510004591	ELE	16 ME 470 HC
C1376	4030019180	S.CER	TMK212BJ105KG-T
C1381	4030011600	S.CER	C1608 JB 1E 104K-T
C1382	4030011600	S.CER	C1608 JB 1E 104K-T
C1391	4510004591	ELE	16 ME 470 HC
C1392	4030011600	S.CER	C1608 JB 1E 104K-T
C1393	4030011600	S.CER	C1608 JB 1E 104K-T
C1394	4510008540	S.ELE	EEE1CA100SR
C1401	4510008540	S.ELE	EEE1CA100SR
C1402	4030011600	S.CER	C1608 JB 1E 104K-T
C1403	4030011600	S.CER	C1608 JB 1E 104K-T
C1404	4510008540	S.ELE	EEE1CA100SR
C1411	4030011600	S.CER	C1608 JB 1E 104K-T
C1412	4510008520	S.ELE	EEE1CA470SP
C1413	4030011600	S.CER	C1608 JB 1E 104K-T
C1414	4510009270	S.ELE	EEH1C220UR
C1415	4030006860	S.CER	C1608 JB 1H 102K-T
C1416	4030006900	S.CER	C1608 JB 1H 103K-T
C1417	4510008520	S.ELE	EEE1CA470SP
C1418	4510008520	S.ELE	EEE1CA470SP
C1419	4030011600	S.CER	C1608 JB 1E 104K-T
C1420	4510008540	S.ELE	EEE1CA100SR
C1421	4030011600	S.CER	C1608 JB 1E 104K-T
C1422	4510008520	S.ELE	EEE1CA470SP
C1502	4030006880	S.CER	C1608 JB 1H 472K-T
C1521	4030006880	S.CER	C1608 JB 1H 472K-T
C1601	4030011600	S.CER	C1608 JB 1E 104K-T
C1602	4030011600	S.CER	C1608 JB 1E 104K-T
C1603	4030011600	S.CER	C1608 JB 1E 104K-T
C1751	4510008540	S.ELE	EEE1CA100SR
C1752	4510008540	S.ELE	EEE1CA100SR
C1753	4510008540	S.ELE	EEE1CA100SR
C1754	4510008540	S.ELE	EEE1CA100SR
C1755	4510008540	S.ELE	EEE1CA100SR
C1756	4030011600	S.CER	C1608 JB 1E 104K-T
C1771	4030011600	S.CER	C1608 JB 1E 104K-T
RL121	6330001721	REL	ATN207-K1
RL141	6330001721	REL	ATN207-K1
CP731	6910009670	S.CHE	HK3-S-T
J101	6510021460	CON	PT-C02P01
J111	6510007020	CON	TMP-J01X-V6
J411	6510007020	CON	TMP-J01X-V6
J491	6510007020	CON	TMP-J01X-V6
J781	6450001560	CON	PD-72
J782	6450001560	CON	PD-72
J783	6450001560	CON	PD-72
J784	6450001560	CON	PD-72
J811	6510007020	CON	TMP-J01X-V6
J881	6450001560	CON	PD-72
J882	6450001560	CON	PD-72
J883	6450001560	CON	PD-72
J884	6450001560	CON	PD-72
J1081	6510007020	CON	TMP-J01X-V6
J1221	6510018971	S.CON	B4B-PH-SM4-TB(LF)(SN)
J1231	6510019971	S.CON	52808-1071
J1271	6510019191	S.CON	52365-0871
J1311	6450001800	CON	JPJ1044-01-010
J1321	6450000140	CON	HSJ0807-01-010
J1351	6510023650	CON	HEC0740-010618
J1501	6510019981	S.CON	52808-1671(1690)
J1521	6510019981	S.CON	52808-1671(1690)
J1522	6510021861	CON	BH-800.4GG <LTC>
J1541	6510019981	S.CON	52808-1671(1690)
J1561	6510019981	S.CON	52808-1671(1690)
J1701	6450000140	CON	HSJ0807-01-010
J1751	6510021241	CON	DEL-C99SAF-23L9E
F1351	5210000051	FUS	FGB 3A PBF (FGB0 125V)
F1352	5220000230	HOL	S-N5054 #01
F1353	5220000230	HOL	S-N5054 #01
BT1521	3020000110	LIT	CR2032

[MAIN-A UNIT] (For [USA-2], [OTH-2], [CHN-1])

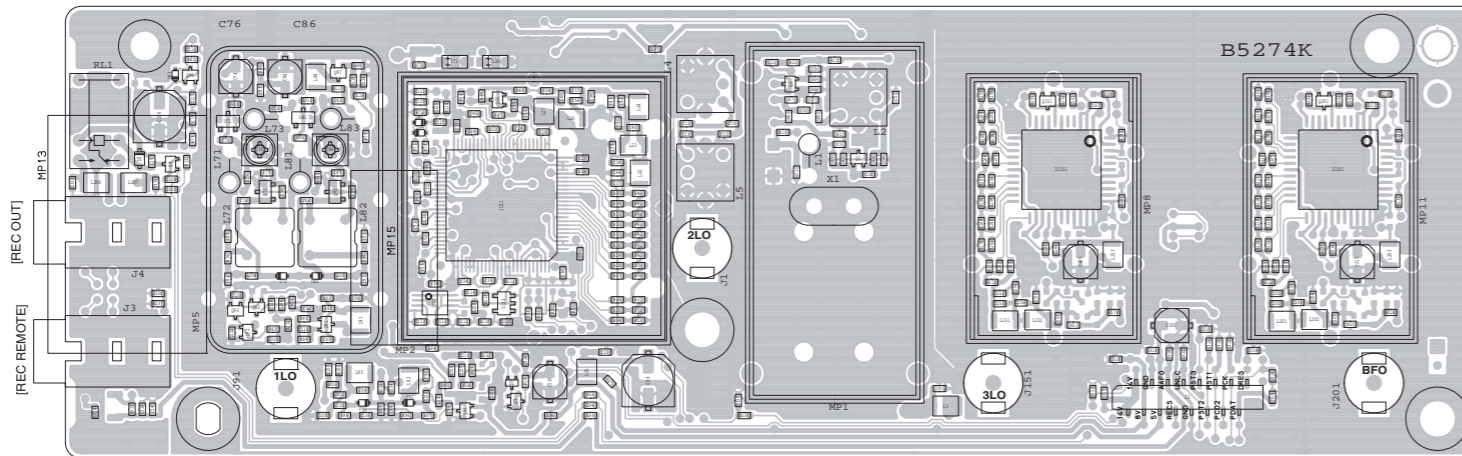
REF NO.	ORDER NO.	DESCRIPTION	
EP1321	6910014690	S.BEA	MPZ1608S221A-T
EP1322	6910014690	S.BEA	MPZ1608S221A-T

M.=Mounted side (T: Mounted on the Top side, B: Mounted on the Bottom side)
S.=Surface mount

BOARD LAYOUTS

The combination of this side and the bottom side shows the board layout in the same configuration as the actual P.C.Board.

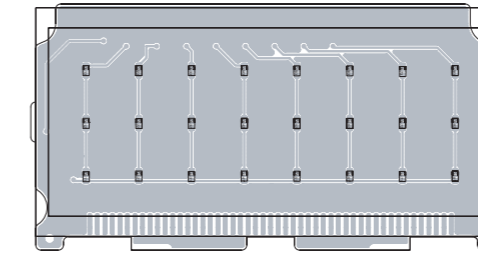
• PLL UNIT (TOP VIEW)



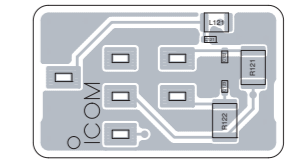
1	14V	14V	2
2	GND	GND	16
3	8V	AAFO	15
4	5V	AAFO	14
5	RECS	UNLC	13
6	UNLC	RECS	12
7	PST3	PST1	11
8	PST2	PST1	10
9	POO2	PCK	9
10	PDAT	DRES	8

J2 to MAIN unit J1501

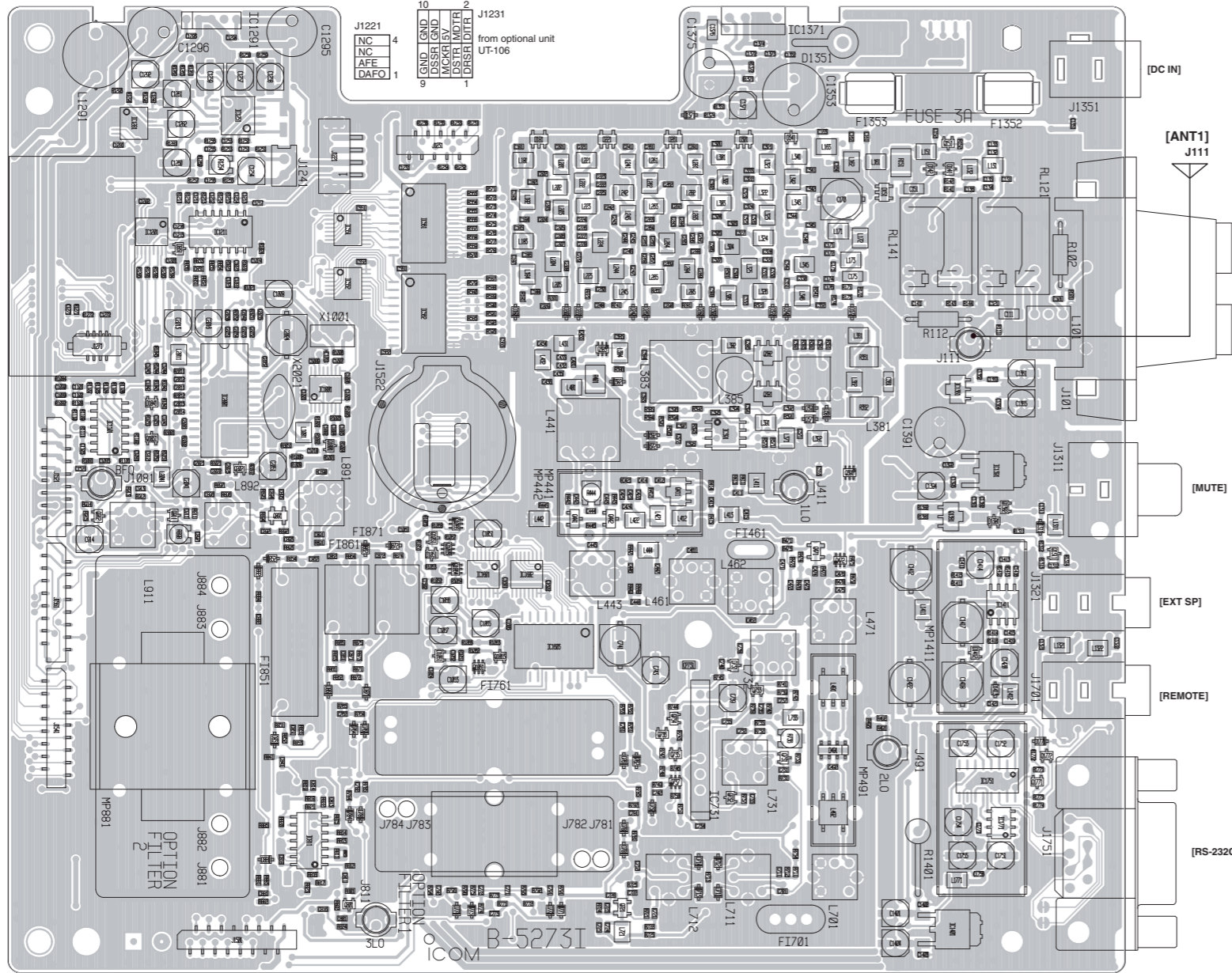
• DISPLAY BOARD (TOP VIEW)



• PHONE BOARD (TOP VIEW)



• MAIN UNIT (For other than [USA-2], [OTH-2], [CHN-1]) (TOP VIEW)



1	MDAT	ISPS	2
2	SUSY	ISPC	16
3	ISPC	ISPC	15
4	GND	ISPC	14
5	GND	ISPC	13
6	GND	ISPC	12
7	GND	ISPC	11

from optional unit UT-102

1	J1271	2	
2	MDAT	ISPS	16
3	SUSY	ISPC	15
4	ISPC	ISPC	14
5	GND	ISPC	13
6	GND	ISPC	12
7	GND	ISPC	11

to LOGIC unit J501

1	AFQ	AFQ	2
2	ESPO	ESPO	16
3	ISPO	ISPO	15
4	AFE	AFE	14
5	5V	GND	13
6	8V	GND	12
7	14V	HVR	11
8	H5V	BATT	10

to LOGIC unit J541

1	RFGV	AFQV	2
2	SML	FMNL	16
3	EMTI	SALL	15
4	BEEP	RECS	14
5	SQLS	AGRS	13
6	RXS	SBSY	12
7	SPST	GND	11
8	QV	CIVE	10

to LOGIC unit J521

1	PWRC	DSPS	2
2	DINT	DSTR	16
3	PSTB	ISTB	15
4	ASTB	MDAT	14
5	MCK	DRES	13
6	PDAT	PCK	12
7	PCO2	PST1	11
8	PST2	PST3	10

to PLL unit J2

1	DRES	PDAT	2
2	PCK	PCO2	16
3	UNLC	RECS	15
4	UNLC	RECS	14
5	AAFO	5V	13
6	GND	8V	12
7	GND	14V	11
8	GND	14V	10

to J1501

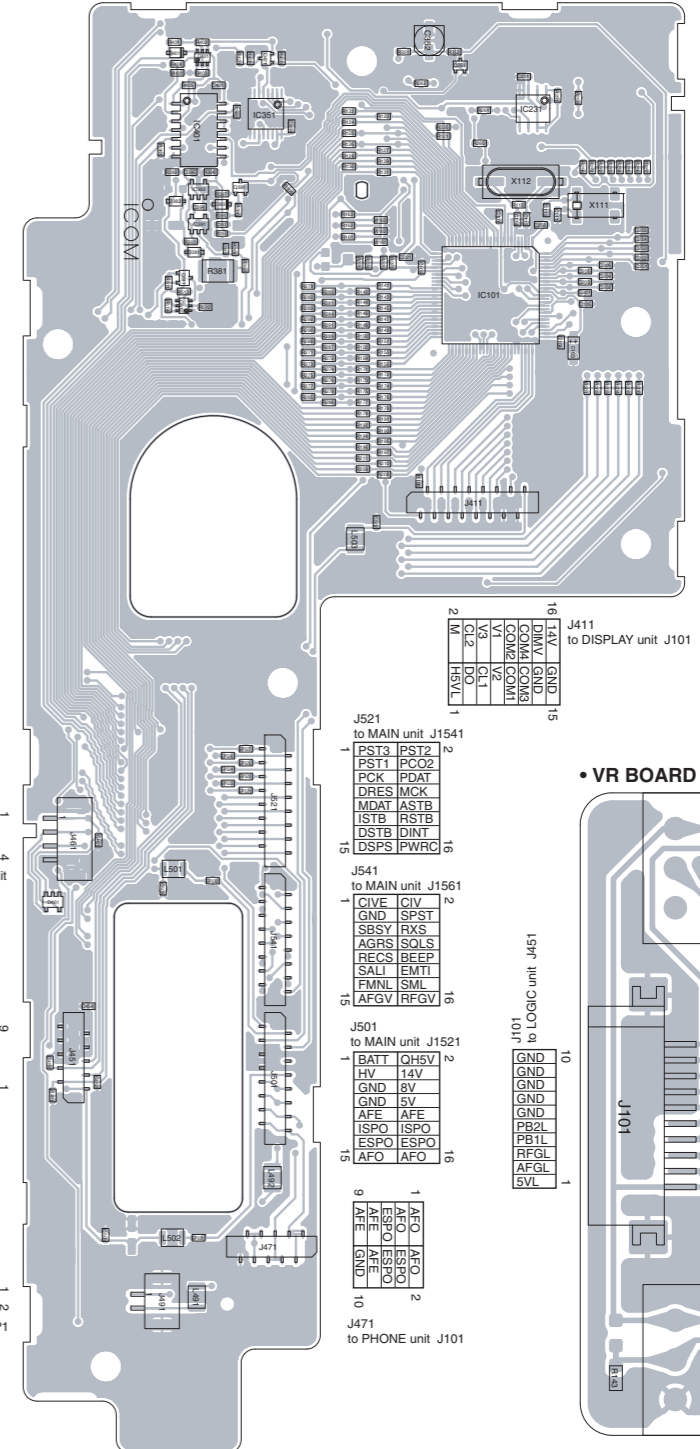
1	J1221	4	
2	NC	NC	16
3	NC	NC	15
4	DAFO	DAFO	14

from optional unit UT-106

1	GND	GND	2
2	DSSRL	GND	16
3	MCKR	5V	15
4	DAFO	DAFO	14
5	DSTR	DSTR	13
6	DSTR	DSTR	12

from optional unit UT-106

• LOGIC BOARD (TOP VIEW)



1	5V	MUP	4
2	GND	MDN	16
3	GND	MDN	15
4	GND	MDN	14

J461 to MAIN DIAL unit

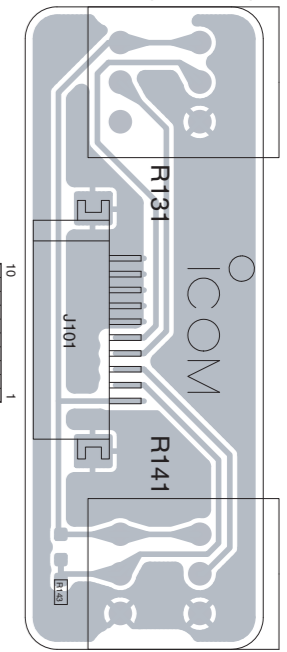
0	GND	GND	0
1	GND	PB2L	16
2	PB1L	AFGL	15
3	5V	5V	14

J451 to VR unit J101

1	ISPO	AFQ	2
2	AFQ	AFQ	16

J491 to INT SP unit P1

• VR BOARD (TOP VIEW)



1	14V	GND	16
2	DIAL	GND	15
3	MDN	GND	14
4	MDN	GND	13
5	MDN	GND	12
6	MDN	GND	11
7	MDN	GND	10
8	MDN	GND	9
9	MDN	GND	8
10	MDN	GND	7
11	MDN	GND	6
12	MDN	GND	5
13	MDN	GND	4
14	MDN	GND	3
15	MDN	GND	2
16	MDN	GND	1

J411 to DISPLAY unit J101

1	PST3	PST2	2
2	PST1	POO2	16
3	PCK	PDAT	15
4	DRES	MCK	14
5	MDAT	ASTB	13
6	ISTB	RSTB	12
7	DSTB	DINT	11
8	DSPS	PWRC	10

J521 to MAIN unit J1541

1	CIVE	CIV	2
2	GND	SPST	16
3	SBSY	RXS	15
4	AGRS	SQLS	14
5	RECS	BEEP	13
6	SALI	EMTI	12
7	FMNL	SML	11
8	AFGV	RFGV	10

J541 to MAIN unit J1561

1	BATT	QH5V	2
2	HV	14V	16
3	GND	8V	15
4	GND	5V	14
5	AFE	AFE	13
6	ISPO	ISPO	12
7	ESPO	ESPO	11
8	AFO	AFO	10

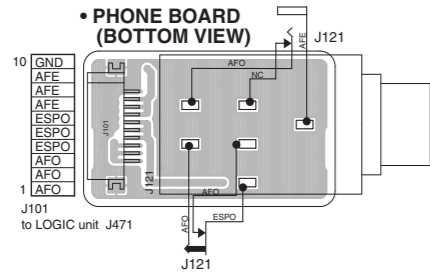
J501 to MAIN unit J1521

1	AFQ	AFQ	2
2	ESPO	ESPO	16
3	ISPO	ISPO	15
4	AFQ	AFQ	14

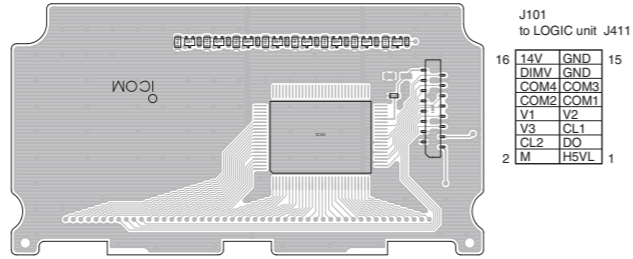
J471 to PHONE unit J101

The combination of this side and the bottom side shows the board layout in the same configuration as the actual P.C.Board.

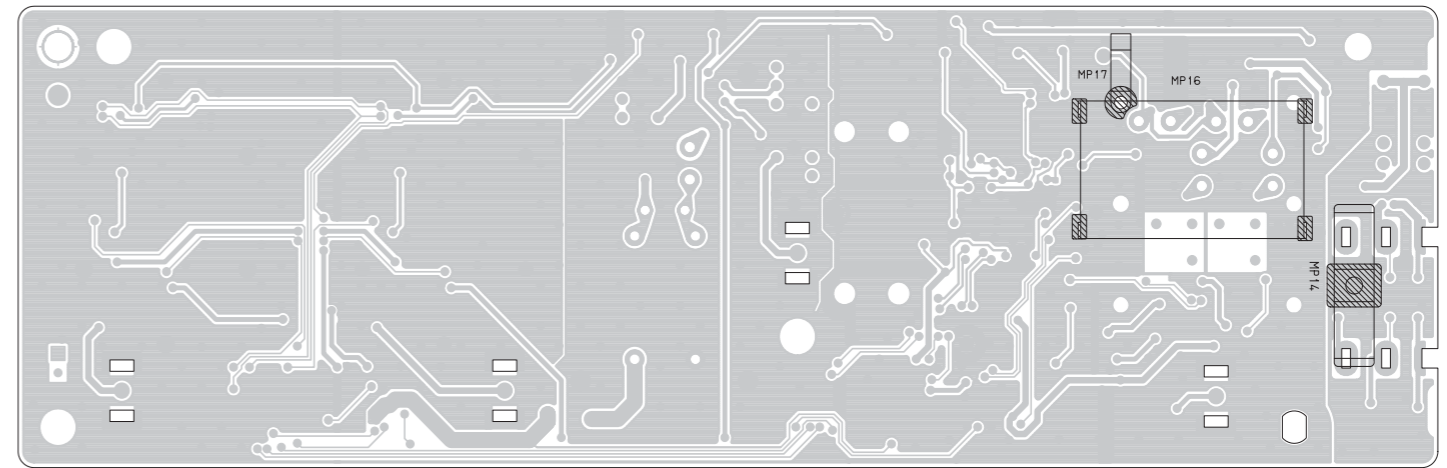
• PHONE BOARD (BOTTOM VIEW)



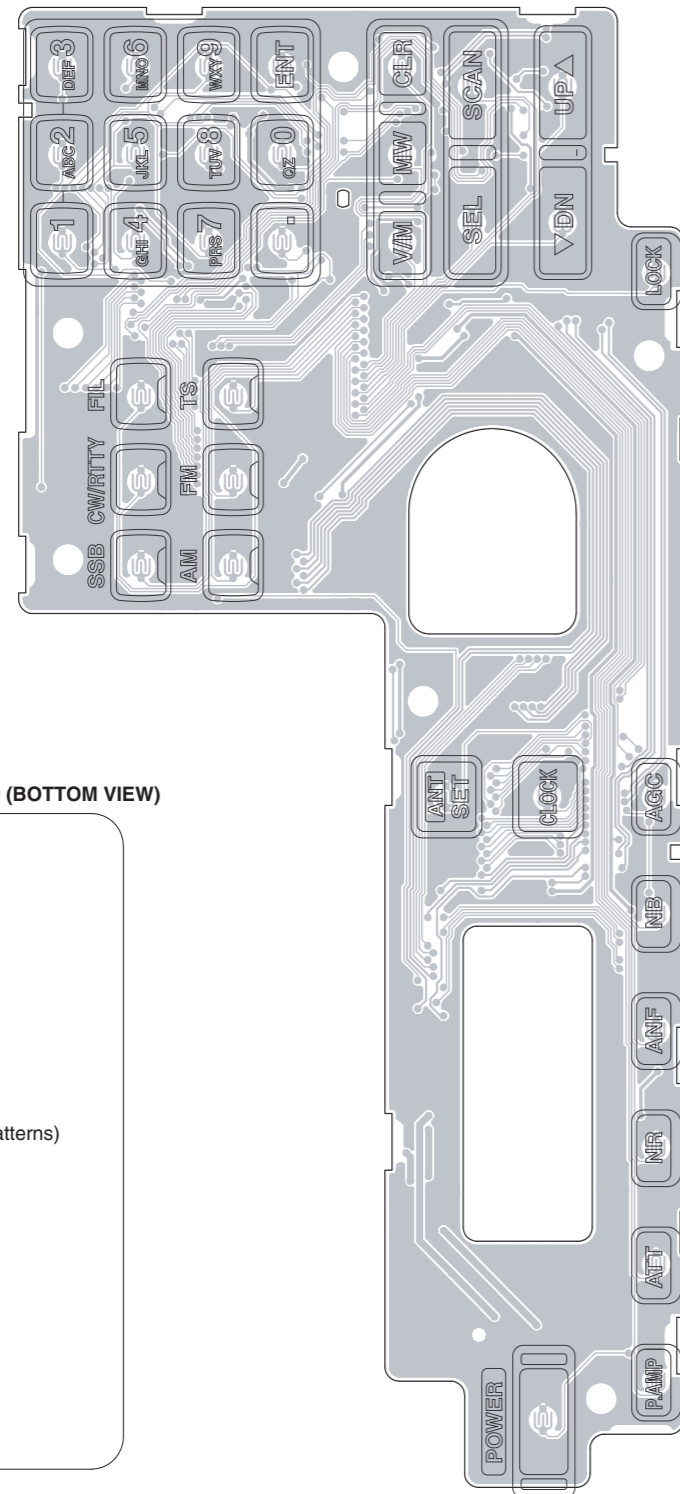
• DISPLAY BOARD (BOTTOM VIEW)



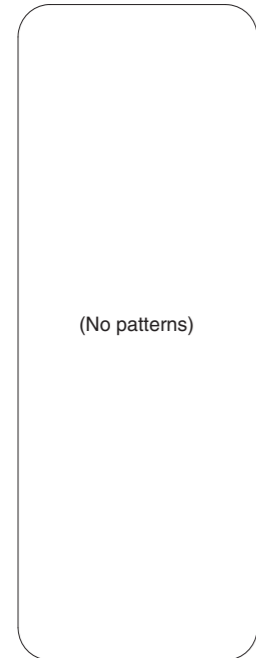
• PLL UNIT (BOTTOM VIEW)



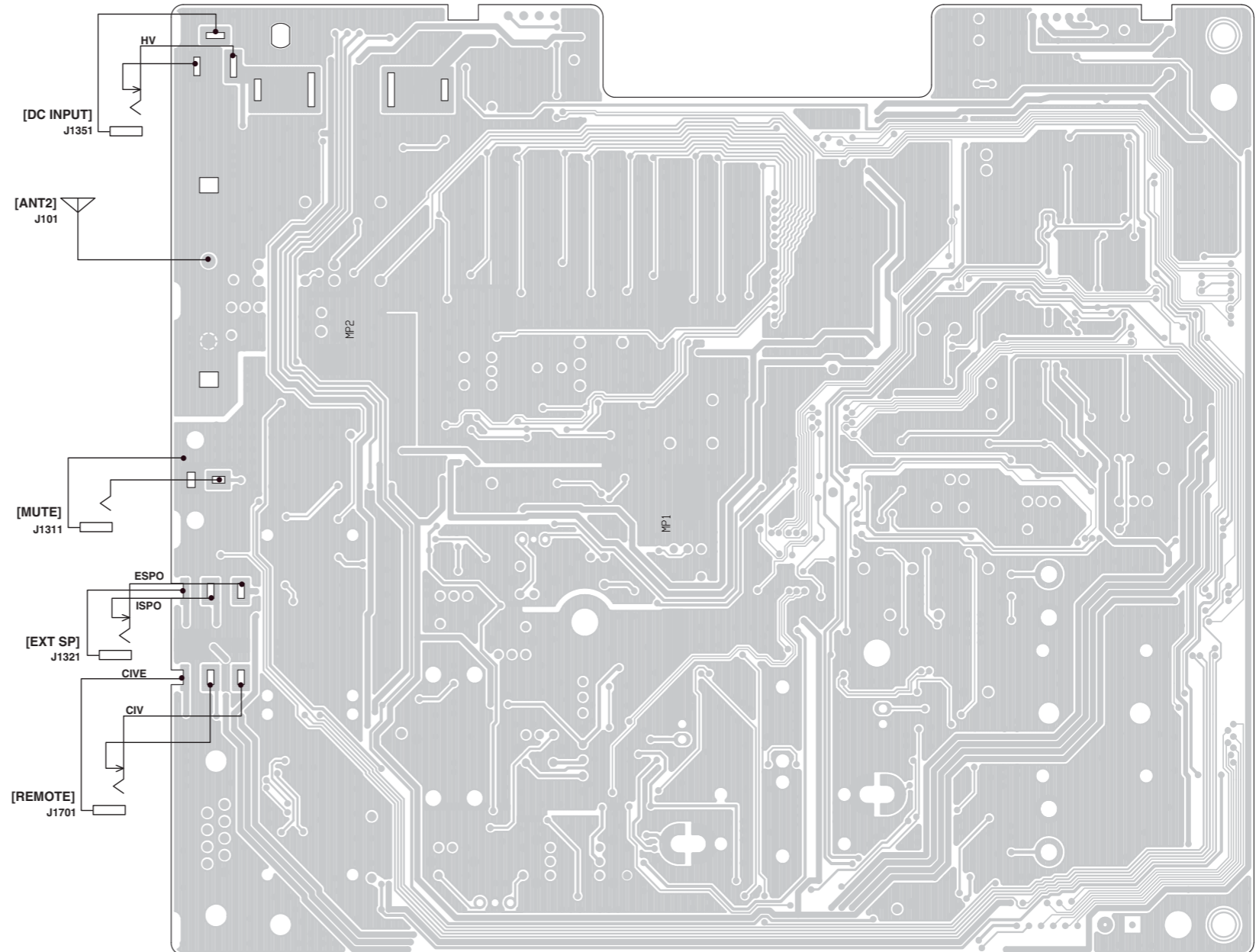
• LOGIC BOARD (BOTTOM VIEW)



• VR BOARD (BOTTOM VIEW)

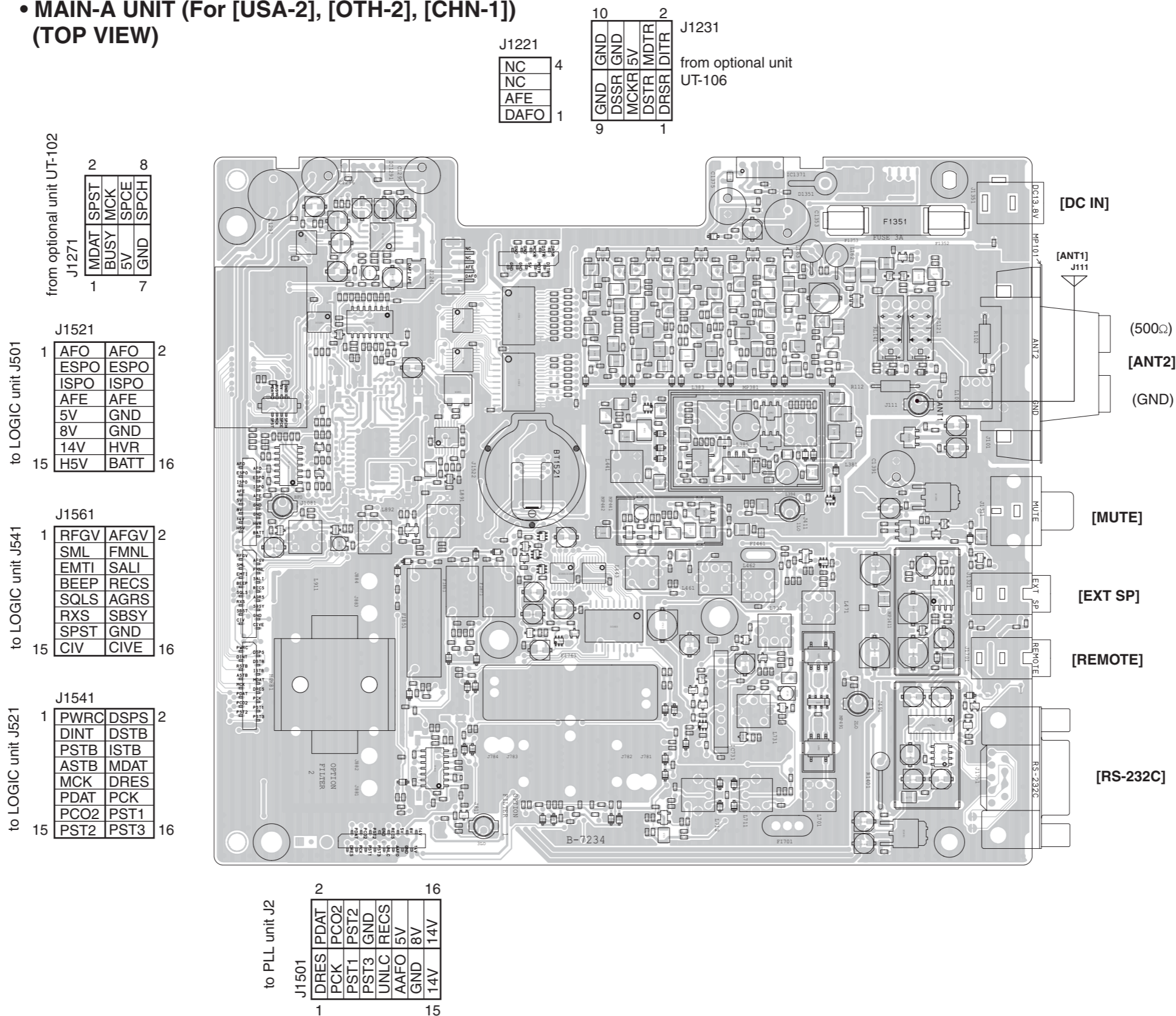


• MAIN UNIT (For other than [USA-2], [OTH-2], [CHN-1]) (BOTTOM VIEW)

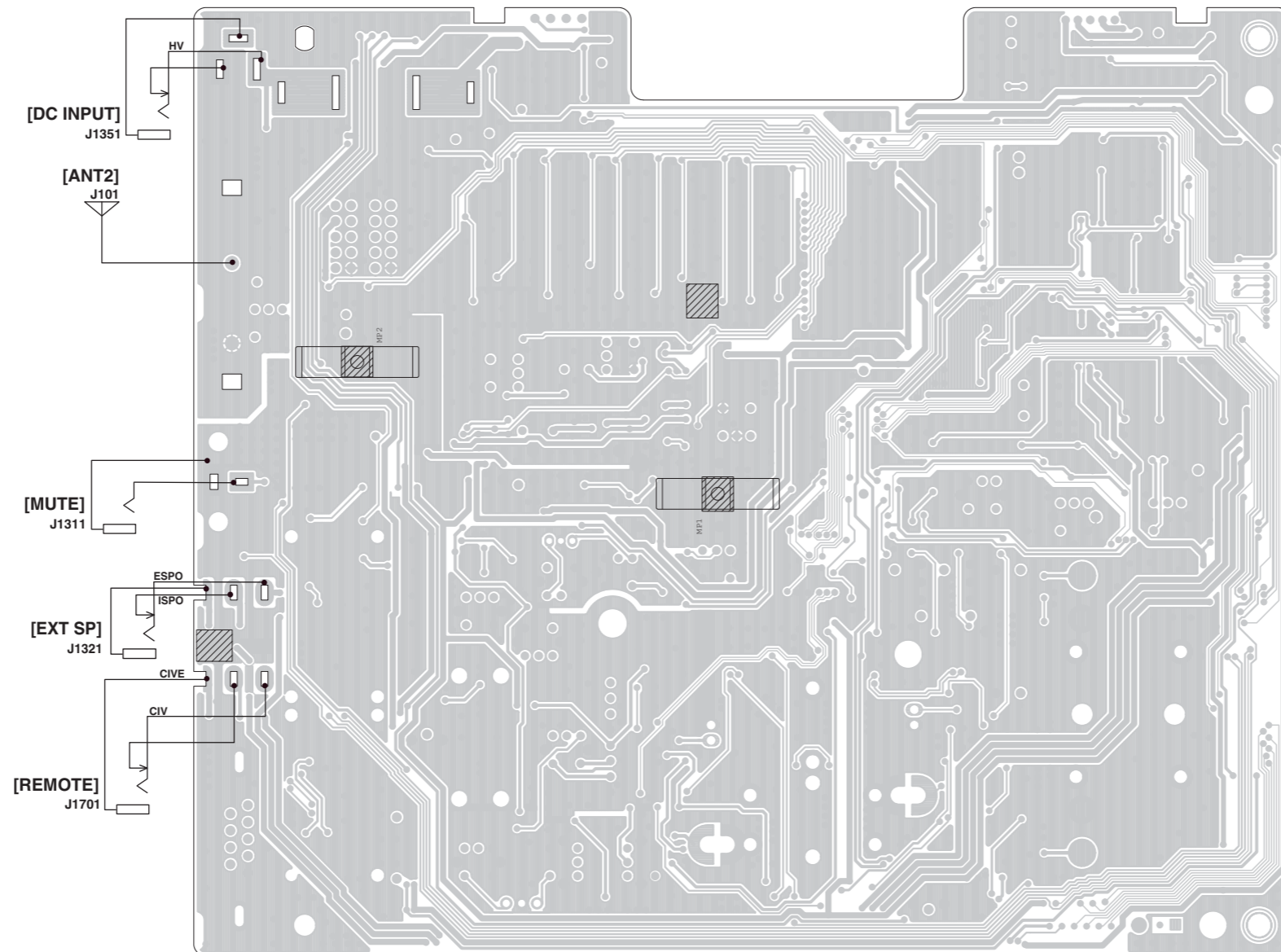


The combination of this page and next page shows the top side and bottom side of actual P.C. board.

• **MAIN-A UNIT (For [USA-2], [OTH-2], [CHN-1]) (TOP VIEW)**

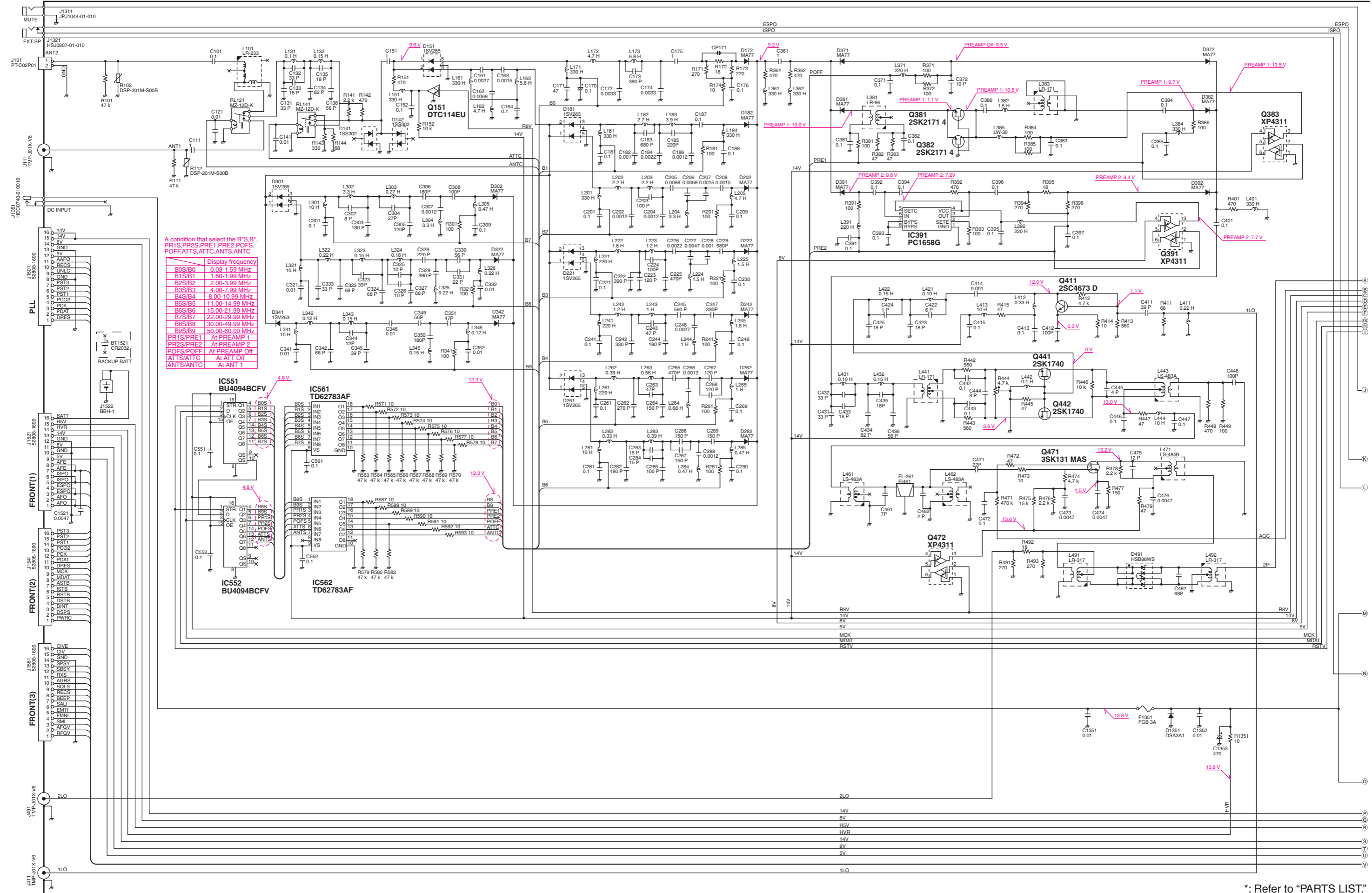


• MAIN-A UNIT (For [USA-2], [OTH-2], [CHN-1])
(BOTTOM VIEW)



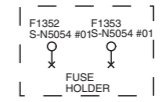
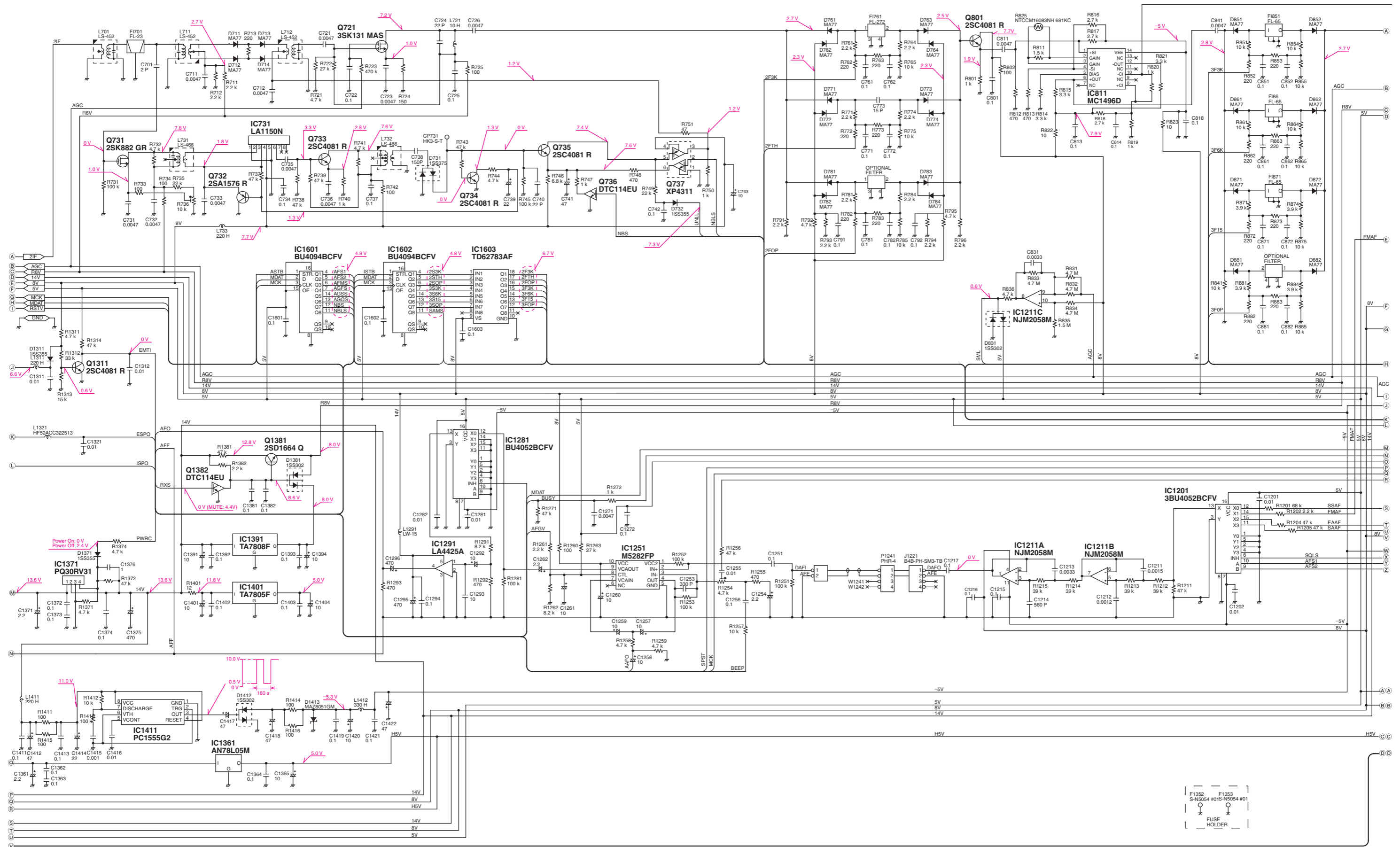
VOLTAGE DIAGRAM

MAIN / MAIN-A UNIT



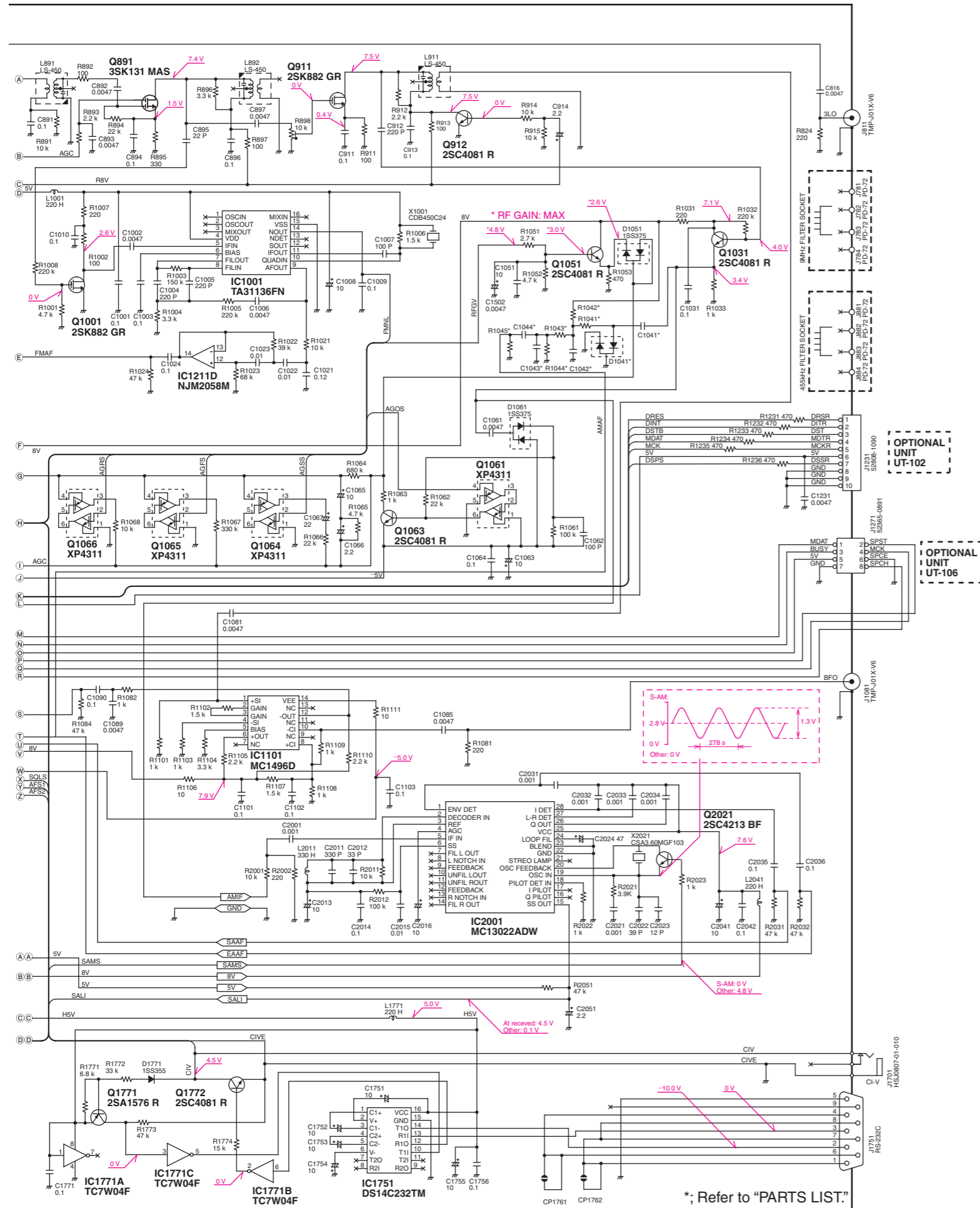
*; Refer to "PARTS LIST."

MAIN /MAIN-A UNIT

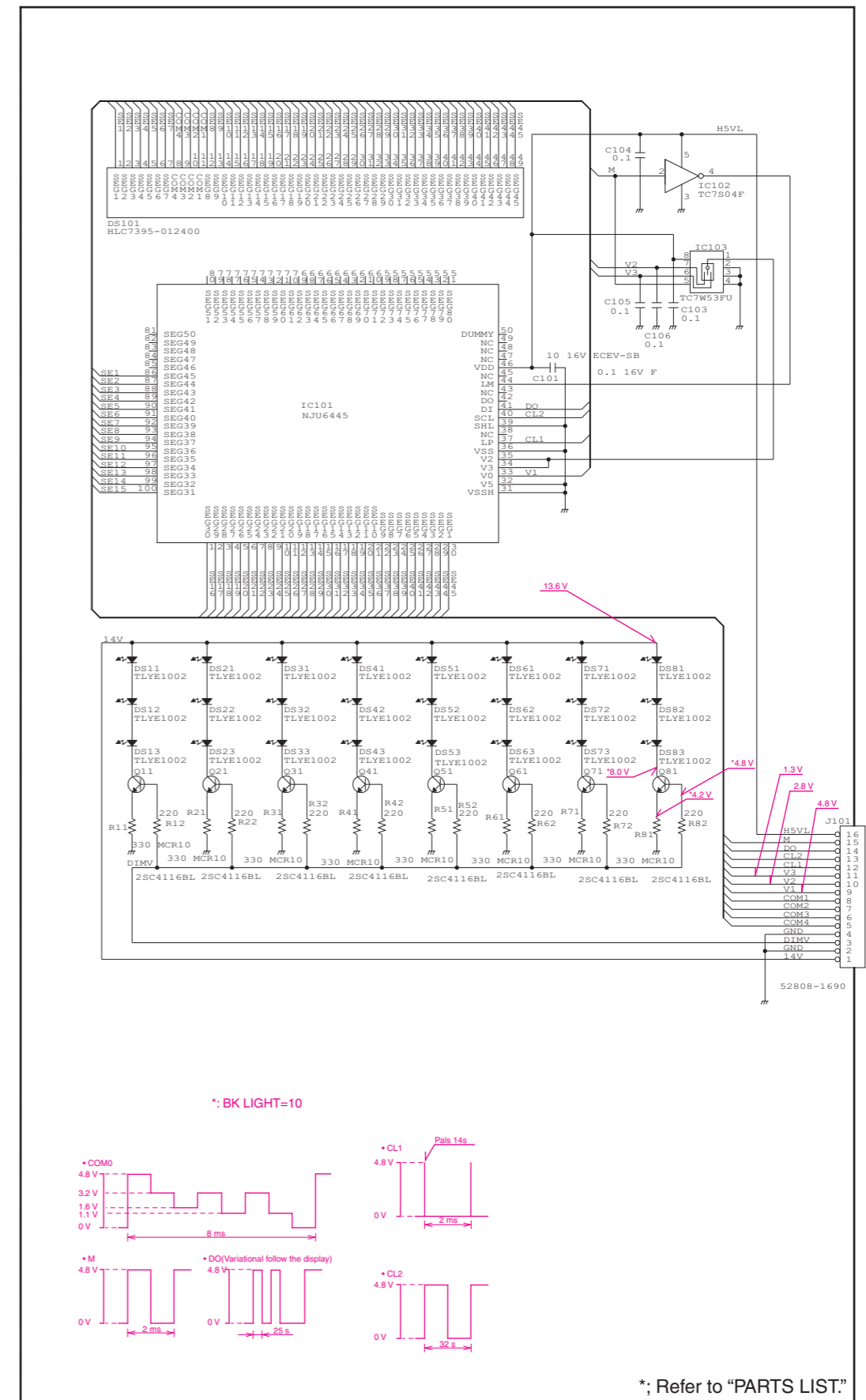


*; Refer to "PARTS LIST"

MAIN / MAIN-A UNIT

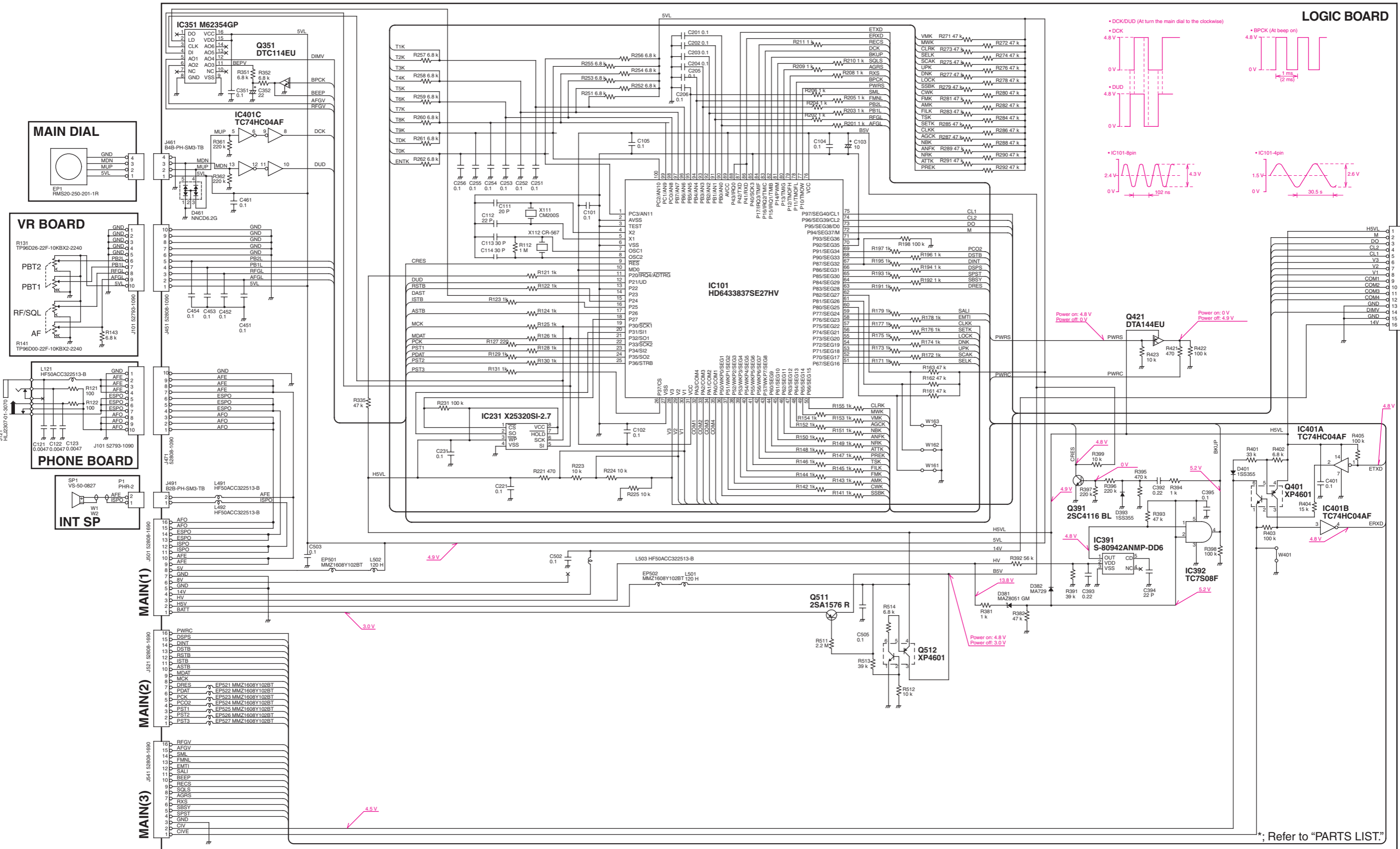


DISPLAY BOARD



To LOGIC BOARD "J411"

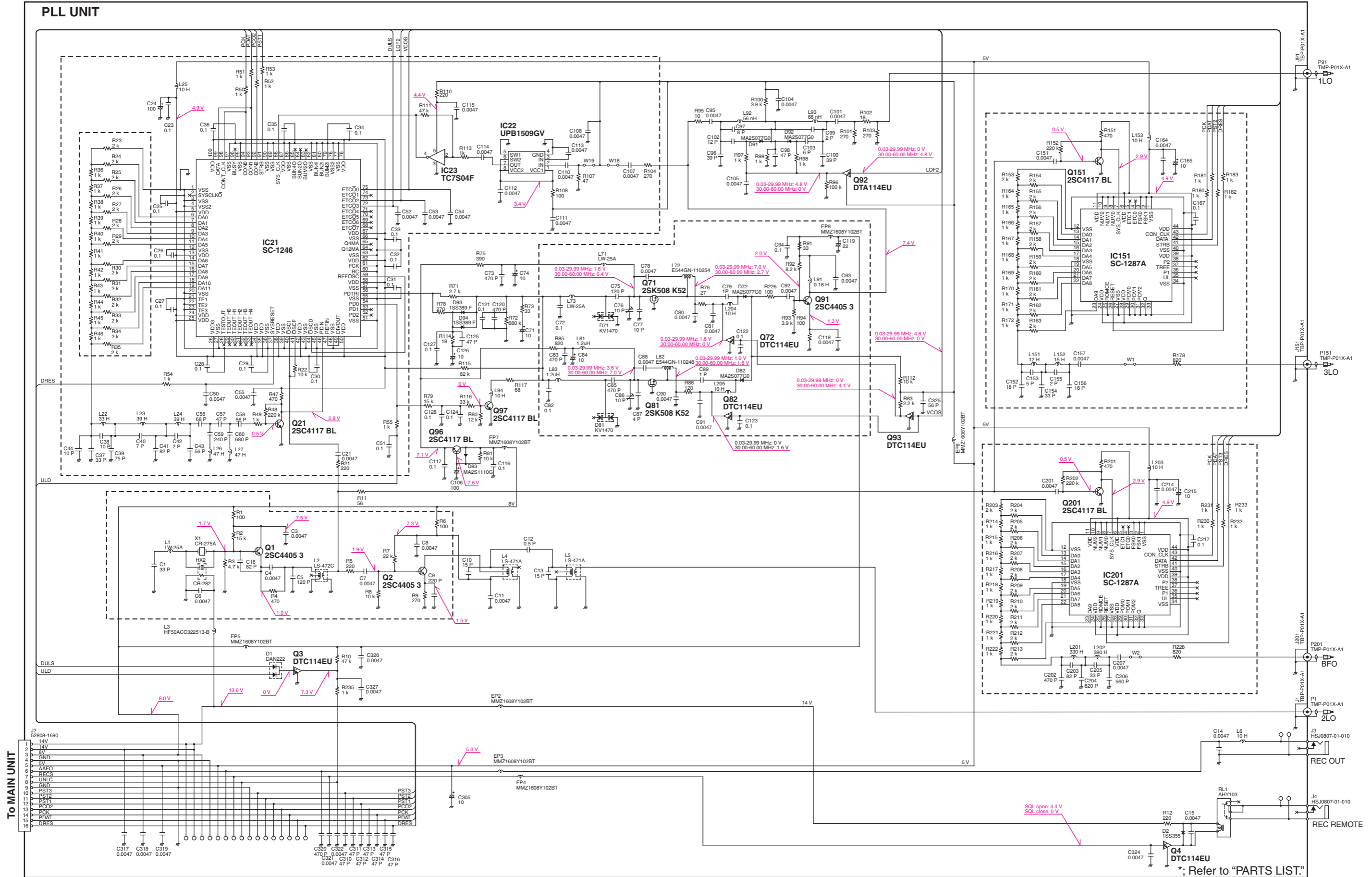
FRONT UNIT



*; Refer to "PARTS LIST"

To DISPLAY BOARD "J101"

PLL UNIT



*: Refer to "PARTS LIST."

Jan. 2009



SERVICE MANUAL ADDENDUM

IC-R75

CONTENTS

PARTS LIST	1
BOARD LAYOUTS	15
VOLTAGE DIAGRAM	17

PARTS LIST

[LOGIC BOARD]

REF NO.	ORDER NO.	DESCRIPTION		
IC101	1140008251	S.IC	HD6433837SC58HV [USA]	
	1140008251	S.IC	HD6433837SC58HV [EUR]	
	1140008251	S.IC	HD6433837SC58HV [AUS]	
	1140008251	S.IC	HD6433837SC58HV [UK]	
	1140008251	S.IC	HD6433837SC58HV [DEN]	
	1140008251	S.IC	HD6433837SC58HV [SEA]	
	1140008251	S.IC	HD6433837SC58HV [OTH]	
	1140013850	S.IC	HD6433837SE27HV (RX-2240A) [USA-1]	
	1140013850	S.IC	HD6433837SE27HV (RX-2240A) [OTH-1]	
	1140013850	S.IC	HD6433837SE27HV (RX-2240A) [CHN]	
	IC231	1130011332	S.IC	CAT25320VI-GT3
	IC351	1110003690	S.IC	M62354GP 75EC
IC391	1110005771	S.IC	S-80942CNMC-G9CT2G	
IC392	1130006441	S.IC	TC7S08F(TE85R,F)	
IC401	1130004922	S.IC	TC74HC04AF(EL,F)	
Q351	1590000680	S.TRA	DTC114EUA T106	
Q391	1530002851	S.TRA	2SC4116-BL(TE85R,F)	
Q401	1590001650	S.TRA	XP4601(TX)	
Q421	1590000720	S.TRA	DTA144EUA T106	
Q511	1510000510	S.TRA	2SA1576A T106R	
Q512	1590001650	S.TRA	XP4601(TX)	
D381	1730002321	S.ZEN	MAZ8051GML	
D382	1790000970	S.DIO	MA729(TX)	
D393	1750000550	S.DIO	1S5355 TE-17	
D401	1750000550	S.DIO	1S5355 TE-17	
D461	1730002531	S.ZEN	NNCD.6.2G-T1-A	
X111	6050009460	S.XTA	CM200S SMD(32.768 kHz)	
X112	6050009870	S.XTA	CR-567 SMD-49 9.8304 Mhz	
L491	6200003950	S.COI	HF50ACC 322513-T	
L492	6200003950	S.COI	HF50ACC 322513-T	
L501	6200002971	S.COI	NLV32T-121J	
L502	6200002971	S.COI	NLV32T-121J	
L503	6200003950	S.COI	HF50ACC 322513-T	
R101	7030003200	S.RES	ERJ3GEYJ 100 V (10)	
R112	7030003800	S.RES	ERJ3GEYJ 105 V (1M)	
R121	7030003440	S.RES	ERJ3GEYJ 102 V (1K)	
R122	7030003440	S.RES	ERJ3GEYJ 102 V (1K)	
R123	7030003440	S.RES	ERJ3GEYJ 102 V (1K)	
R124	7030003440	S.RES	ERJ3GEYJ 102 V (1K)	
R125	7030003440	S.RES	ERJ3GEYJ 102 V (1K)	
R126	7030003440	S.RES	ERJ3GEYJ 102 V (1K)	
R127	7030003360	S.RES	ERJ3GEYJ 221 V (220)	
R128	7030003440	S.RES	ERJ3GEYJ 102 V (1K)	
R129	7030003440	S.RES	ERJ3GEYJ 102 V (1K)	
R130	7030003440	S.RES	ERJ3GEYJ 102 V (1K)	
R131	7030003440	S.RES	ERJ3GEYJ 102 V (1K)	
R141	7030003440	S.RES	ERJ3GEYJ 102 V (1K)	
R142	7030003440	S.RES	ERJ3GEYJ 102 V (1K)	
R143	7030003440	S.RES	ERJ3GEYJ 102 V (1K)	
R144	7030003440	S.RES	ERJ3GEYJ 102 V (1K)	
R145	7030003440	S.RES	ERJ3GEYJ 102 V (1K)	
R146	7030003440	S.RES	ERJ3GEYJ 102 V (1K)	
R147	7030003440	S.RES	ERJ3GEYJ 102 V (1K)	
R148	7030003440	S.RES	ERJ3GEYJ 102 V (1K)	
R149	7030003440	S.RES	ERJ3GEYJ 102 V (1K)	
R150	7030003440	S.RES	ERJ3GEYJ 102 V (1K)	
R151	7030003440	S.RES	ERJ3GEYJ 102 V (1K)	
R152	7030003440	S.RES	ERJ3GEYJ 102 V (1K)	
R153	7030003440	S.RES	ERJ3GEYJ 102 V (1K)	
R154	7030003440	S.RES	ERJ3GEYJ 102 V (1K)	
R155	7030003440	S.RES	ERJ3GEYJ 102 V (1K)	
R161	7030003640	S.RES	ERJ3GEYJ 473 V (47K)	
R162	7030003640	S.RES	ERJ3GEYJ 473 V (47K)	
R163	7030003640	S.RES	ERJ3GEYJ 473 V (47K)	
R171	7030003440	S.RES	ERJ3GEYJ 102 V (1K)	
R172	7030003440	S.RES	ERJ3GEYJ 102 V (1K)	
R173	7030003440	S.RES	ERJ3GEYJ 102 V (1K)	
R174	7030003440	S.RES	ERJ3GEYJ 102 V (1K)	
R175	7030003440	S.RES	ERJ3GEYJ 102 V (1K)	
R176	7030003440	S.RES	ERJ3GEYJ 102 V (1K)	
R177	7030003440	S.RES	ERJ3GEYJ 102 V (1K)	
R178	7030003440	S.RES	ERJ3GEYJ 102 V (1K)	
R179	7030003440	S.RES	ERJ3GEYJ 102 V (1K)	
R191	7030003440	S.RES	ERJ3GEYJ 102 V (1K)	
R192	7030003440	S.RES	ERJ3GEYJ 102 V (1K)	
R193	7030003440	S.RES	ERJ3GEYJ 102 V (1K)	
R194	7030003440	S.RES	ERJ3GEYJ 102 V (1K)	
R195	7030003440	S.RES	ERJ3GEYJ 102 V (1K)	
R196	7030003440	S.RES	ERJ3GEYJ 102 V (1K)	
R197	7030003440	S.RES	ERJ3GEYJ 102 V (1K)	
R198	7030003680	S.RES	ERJ3GEYJ 104 V (100K)	
R201	7030003440	S.RES	ERJ3GEYJ 102 V (1K)	
R202	7030003440	S.RES	ERJ3GEYJ 102 V (1K)	
R203	7030003440	S.RES	ERJ3GEYJ 102 V (1K)	
R204	7030003440	S.RES	ERJ3GEYJ 102 V (1K)	
R205	7030003440	S.RES	ERJ3GEYJ 102 V (1K)	
R206	7030003440	S.RES	ERJ3GEYJ 102 V (1K)	
R208	7030003440	S.RES	ERJ3GEYJ 102 V (1K)	

[LOGIC BOARD]

REF NO.	ORDER NO.	DESCRIPTION	
R209	7030003440	S.RES	ERJ3GEYJ 102 V (1K)
R210	7030003440	S.RES	ERJ3GEYJ 102 V (1K)
R211	7030003440	S.RES	ERJ3GEYJ 102 V (1K)
R221	7030003400	S.RES	ERJ3GEYJ 471 V (470)
R223	7030003560	S.RES	ERJ3GEYJ 103 V (10K)
R224	7030003560	S.RES	ERJ3GEYJ 103 V (10K)
R225	7030003560	S.RES	ERJ3GEYJ 103 V (10K)
R231	7030003680	S.RES	ERJ3GEYJ 104 V (100K)
R251	7030003540	S.RES	ERJ3GEYJ 682 V (6.8K)
R252	7030003540	S.RES	ERJ3GEYJ 682 V (6.8K)
R253	7030003540	S.RES	ERJ3GEYJ 682 V (6.8K)
R254	7030003540	S.RES	ERJ3GEYJ 682 V (6.8K)
R255	7030003540	S.RES	ERJ3GEYJ 682 V (6.8K)
R256	7030003540	S.RES	ERJ3GEYJ 682 V (6.8K)
R257	7030003540	S.RES	ERJ3GEYJ 682 V (6.8K)
R258	7030003540	S.RES	ERJ3GEYJ 682 V (6.8K)
R259	7030003540	S.RES	ERJ3GEYJ 682 V (6.8K)
R260	7030003540	S.RES	ERJ3GEYJ 682 V (6.8K)
R261	7030003540	S.RES	ERJ3GEYJ 682 V (6.8K)
R262	7030003540	S.RES	ERJ3GEYJ 682 V (6.8K)
R271	7030003640	S.RES	ERJ3GEYJ 473 V (47K)
R272	7030003640	S.RES	ERJ3GEYJ 473 V (47K)
R273	7030003640	S.RES	ERJ3GEYJ 473 V (47K)
R274	7030003640	S.RES	ERJ3GEYJ 473 V (47K)
R275	7030003640	S.RES	ERJ3GEYJ 473 V (47K)
R276	7030003640	S.RES	ERJ3GEYJ 473 V (47K)
R277	7030003640	S.RES	ERJ3GEYJ 473 V (47K)
R278	7030003640	S.RES	ERJ3GEYJ 473 V (47K)
R279	7030003640	S.RES	ERJ3GEYJ 473 V (47K)
R280	7030003640	S.RES	ERJ3GEYJ 473 V (47K)
R281	7030003640	S.RES	ERJ3GEYJ 473 V (47K)
R282	7030003640	S.RES	ERJ3GEYJ 473 V (47K)
R283	7030003640	S.RES	ERJ3GEYJ 473 V (47K)
R284	7030003640	S.RES	ERJ3GEYJ 473 V (47K)
R285	7030003640	S.RES	ERJ3GEYJ 473 V (47K)
R286	7030003640	S.RES	ERJ3GEYJ 473 V (47K)
R287	7030003640	S.RES	ERJ3GEYJ 473 V (47K)
R288	7030003640	S.RES	ERJ3GEYJ 473 V (47K)
R289	7030003640	S.RES	ERJ3GEYJ 473 V (47K)
R290	7030003640	S.RES	ERJ3GEYJ 473 V (47K)
R291	7030003640	S.RES	ERJ3GEYJ 473 V (47K)
R292	7030003640	S.RES	ERJ3GEYJ 473 V (47K)
R335	7030003640	S.RES	ERJ3GEYJ 473 V (47K)
R351	7030003540	S.RES	ERJ3GEYJ 682 V (6.8K)
R352	7030003540	S.RES	ERJ3GEYJ 682 V (6.8K)
R361	7030003720	S.RES	ERJ3GEYJ 224 V (220K)
R362	7030003720	S.RES	ERJ3GEYJ 224 V (220K)
R381	7030009720	S.RES	ERJ12YJ102U (1K)
R382	7030003640	S.RES	ERJ3GEYJ 473 V (47K)
R391	7030003630	S.RES	ERJ3GEYJ 393 V (39K)
R392	7030003650	S.RES	ERJ3GEYJ 563 V (56K)
R393	7030003640	S.RES	ERJ3GEYJ 473 V (47K)
R394	7030003440	S.RES	ERJ3GEYJ 102 V (1K)
R395	7030003760	S.RES	ERJ3GEYJ 474 V (470K)
R396	7030003720	S.RES	ERJ3GEYJ 224 V (220K)
R397	7030003720	S.RES	ERJ3GEYJ 224 V (220K)
R398	7030003680	S.RES	ERJ3GEYJ 104 V (100K)
R399	7030003560	S.RES	ERJ3GEYJ 103 V (10K)
R401	7030003620	S.RES	ERJ3GEYJ 333 V (33K)
R402	7030003540	S.RES	ERJ3GEYJ 682 V (6.8K)
R403	7030003680	S.RES	ERJ3GEYJ 104 V (100K)
R404	7030003580	S.RES	ERJ3GEYJ 153 V (15K)
R405	7030003680	S.RES	ERJ3GEYJ 104 V (100K)
R421	7030003400	S.RES	ERJ3GEYJ 471 V (470)
R422	7030003680	S.RES	ERJ3GEYJ 104 V (100K)
R423	7030003560	S.RES	ERJ3GEYJ 103 V (10K)
R511	7030003840	S.RES	ERJ3GEYJ 225 V (2.2M)
R512	7030003560	S.RES	ERJ3GEYJ 103 V (10K)
R513	7030003630	S.RES	ERJ3GEYJ 393 V (39K)
R514	7030003540	S.RES	ERJ3GEYJ 682 V (6.8K)
W161	7030003860	S.RES	ERJ3GE JPW V [DEN]
	7030003860	S.RES	ERJ3GE JPW V [SEA]
W162	7030003860	S.RES	ERJ3GE JPW V [SEA] only
W163	7030003860	S.RES	ERJ3GE JPW V [DEN]
	7030003860	S.RES	ERJ3GE JPW V [SEA]
W401	7030003860	S.RES	ERJ3GE JPW V
C101	4030008630	S.CER	C1608 JF 1H 104Z-T
C102	4030008630	S.CER	C1608 JF 1H 104Z-T
C103	4550006250	S.TAN	TEESVA 1A 106M8R
C104	4030008630	S.CER	C1608 JF 1H 104Z-T
C105	4030008630	S.CER	C1608 JF 1H 104Z-T
C111	4030009990	S.CER	C1608 CH 1H 200J-T
C112	4030007050	S.CER	C1608 CH 1H 220J-T
C113	4030008560	S.CER	C1608 CH 1H 300J-T
C114	4030008560	S.CER	C1608 CH 1H 300J-T
C201	4030008630	S.CER	C1608 JF 1H 104Z-T
C202	4030008630	S.CER	C1608 JF 1H 104Z-T
C203	4030008630	S.CER	C1608 JF 1H 104Z-T
C204	4030008630	S.CER	C1608 JF 1H 104Z-T
C205	4030008630	S.CER	C1608 JF 1H 104Z-T
C206	4030008630	S.CER	C1608 JF 1H 104Z-T
C221	4030008630	S.CER	C1608 JF 1H 104Z-T
C231	4030008630	S.CER	C1608 JF 1H 104Z-T
C251	4030008630	S.CER	C1608 JF 1H 104Z-T

[LOGIC BOARD]

REF NO.	ORDER NO.	DESCRIPTION
C252	4030008630	S.CER C1608 JF 1H 104Z-T
C253	4030008630	S.CER C1608 JF 1H 104Z-T
C254	4030008630	S.CER C1608 JF 1H 104Z-T
C255	4030008630	S.CER C1608 JF 1H 104Z-T
C256	4030008630	S.CER C1608 JF 1H 104Z-T
C351	4030008630	S.CER C1608 JF 1H 104Z-T
C352	4510008660	S.ELE EEE0JA220SR
C392	4030013720	S.CER GRM188B11A224KA01D (GRM39 B)
C393	4030013720	S.CER GRM188B11A224KA01D (GRM39 B)
C394	4030007050	S.CER C1608 CH 1H 220J-T
C395	4030008630	S.CER C1608 JF 1H 104Z-T
C401	4030008630	S.CER C1608 JF 1H 104Z-T
C451	4030008630	S.CER C1608 JF 1H 104Z-T
C452	4030008630	S.CER C1608 JF 1H 104Z-T
C453	4030008630	S.CER C1608 JF 1H 104Z-T
C454	4030008630	S.CER C1608 JF 1H 104Z-T
C461	4030008630	S.CER C1608 JF 1H 104Z-T
C502	4030008630	S.CER C1608 JF 1H 104Z-T
C503	4030008630	S.CER C1608 JF 1H 104Z-T
C505	4030008630	S.CER C1608 JF 1H 104Z-T
J411	6510019981	S.CON 52808-1671(1690)
J451	6510019971	S.CON 52808-1071
J461	6510018971	S.CON B4B-PH-SM4-TB(LF)(SN)
J471	6510019971	S.CON 52808-1071
J491	6510018961	S.CON B2B-PH-SM4-TB(LF)(SN)
J501	6510019981	S.CON 52808-1671(1690)
J521	6510019981	S.CON 52808-1671(1690)
J541	6510019981	S.CON 52808-1671(1690)
EP1	0910051164	PCB B 5270D LO 2 (#2240-1F)
EP501	6910012350	S.BEA MMZ1608Y 102BT
EP502	6910012350	S.BEA MMZ1608Y 102BT
EP521	6910012350	S.BEA MMZ1608Y 102BT
EP522	6910012350	S.BEA MMZ1608Y 102BT
EP523	6910012350	S.BEA MMZ1608Y 102BT
EP524	6910012350	S.BEA MMZ1608Y 102BT
EP525	6910012350	S.BEA MMZ1608Y 102BT
EP526	6910012350	S.BEA MMZ1608Y 102BT
EP527	6910012350	S.BEA MMZ1608Y 102BT

[PHONE BOARD]

REF NO.	ORDER NO.	DESCRIPTION
L121	6200003950	S.COI HF50ACC 322513-T
R121	7030006070	S.RES ERJ12YJ101U (100)
R122	7030006070	S.RES ERJ12YJ101U (100)
C121	4030006880	S.CER C1608 JB 1H 472K-T
C122	4030006880	S.CER C1608 JB 1H 472K-T
C123	4030006880	S.CER C1608 JB 1H 472K-T
J101	6510020711	S.CON 52793-1070(1090)
J121	6510021480	CON HLJ2307-01-3070

[VR BOARD]

REF NO.	ORDER NO.	DESCRIPTION
R131	7210003040	VAR TP96D26-22F-10KBX2-2240
R141	7210003030	VAR TP96D00-22F-10KBX2-2240
R143	7030003540	S.RES ERJ3GEYJ 682 V (6.8K)
J101	6510020711	S.CON 52793-1070(1090)

[MAIN UNIT]

REF NO.	ORDER NO.	DESCRIPTION
WS1	8600036540	RX2240 P1241*J1241MA
IC391	1110003970	S.IC UPC1658G-E1
IC551	1130007570	S.IC BU4094BCFV-E2
IC552	1130007570	S.IC BU4094BCFV-E2
IC561	1160000131	S.IC TD62783AFG(5,S,EL)
IC562	1160000131	S.IC TD62783AFG(5,S,EL)
IC731	1110003141	IC LA1150N-E
IC811	1110002601	S.IC MC1496DR2G [USA]
	1110002600	S.IC MC1496DR2 [EUR]
	1110002601	S.IC MC1496DR2G [AUS]
	1110002600	S.IC MC1496DR2 [UK]
	1110002601	S.IC MC1496DR2G [DEN]
	1110002601	S.IC MC1496DR2G [SEA]
	1110002601	S.IC MC1496DR2G [OTH]
	1110002601	S.IC MC1496DR2G [USA-1]
	1110002601	S.IC MC1496DR2G [OTH-1]
	1110002601	S.IC MC1496DR2G [CHN]
IC1001	1110003201	S.IC TA31136FNG(EL)
IC1101	1110002601	S.IC MC1496DR2G [USA]
	1110002600	S.IC MC1496DR2 [EUR]
	1110002601	S.IC MC1496DR2G [AUS]
	1110002600	S.IC MC1496DR2 [UK]
	1110002601	S.IC MC1496DR2G [DEN]
	1110002601	S.IC MC1496DR2G [SEA]
	1110002601	S.IC MC1496DR2G [OTH]
	1110002601	S.IC MC1496DR2G [USA-1]
	1110002601	S.IC MC1496DR2G [OTH-1]
	1110002601	S.IC MC1496DR2G [CHN]
IC1201	1130009100	S.IC BU4052BCFV-E2
IC1211	1110003870	S.IC NJM2058M-TE1-#ZZZB
IC1251	1110003300	S.IC M5282FP 70CD
IC1281	1130009100	S.IC BU4052BCFV-E2
IC1291	1110003091	IC LA4425A-E
IC1361	1180000970	S.IC AN78L05M-(E1)
IC1371	1180001531	IC PQ30RV31J00H
IC1391	1180001251	S.IC TA7808F(TE16L,Q)
IC1401	1180001071	S.IC TA7805F(TE16L,Q)
IC1411	1110001401	S.IC UPC1555G2-E1-A
IC1601	1130007570	S.IC BU4094BCFV-E2
IC1602	1130007570	S.IC BU4094BCFV-E2
IC1603	1160000131	S.IC TD62783AFG(5,S,EL)
IC1751	1120002510	S.IC DS14C232TM S
IC1771	1130005721	S.IC TC7W04F(TE12L,F)
IC2001	1110004940	S.IC MC13022ADWR3 [USA]
	1110004940	S.IC MC13022ADWR3 [EUR]
	1110004940	S.IC MC13022ADWR3 [AUS]
	1110004940	S.IC MC13022ADWR3 [UK]
	1110004940	S.IC MC13022ADWR3 [DEN]
	1110004940	S.IC MC13022ADWR3 [SEA]
	1110004940	S.IC MC13022ADWR3 [OTH]
Q151	1590000680	S.TRA DTC114EUA T106
Q381	1560000721	S.FET 2SK2171-4-TD-E
Q382	1560000721	S.FET 2SK2171-4-TD-E
Q383	1590001960	S.TRA XP4311(TX)
Q391	1590001960	S.TRA XP4311(TX)
Q411	1530003151	S.TRA 2SC4673D-TD-E
Q441	1560000641	S.FET 2SK1740-4/5-TB-E
Q442	1560000641	S.FET 2SK1740-4/5-TB-E
Q471	1580000620	S.FET 3SK131-T2 MAS
Q472	1590001960	S.TRA XP4311(TX)
Q721	1580000620	S.FET 3SK131-T2 MAS
Q731	1560000561	S.FET 2SK882-GR(TE85L,F)
Q732	1510000510	S.TRA 2SA1576A T106R
Q733	1530002060	S.TRA 2SC4081 T106 R
Q734	1530002060	S.TRA 2SC4081 T106 R
Q735	1530002060	S.TRA 2SC4081 T106 R
Q736	1590000680	S.TRA DTC114EUA T106
Q737	1590001960	S.TRA XP4311(TX)
Q801	1530002060	S.TRA 2SC4081 T106 R
Q891	1580000620	S.FET 3SK131-T2 MAS
Q911	1560000561	S.FET 2SK882-GR(TE85L,F)
Q912	1530002060	S.TRA 2SC4081 T106 R
Q1001	1560000561	S.FET 2SK882-GR(TE85L,F)
Q1031	1530002060	S.TRA 2SC4081 T106 R
Q1051	1530002060	S.TRA 2SC4081 T106 R
Q1061	1590001960	S.TRA XP4311(TX)
Q1063	1530002060	S.TRA 2SC4081 T106 R
Q1064	1590001960	S.TRA XP4311(TX)
Q1065	1590001960	S.TRA XP4311(TX)
Q1066	1590001960	S.TRA XP4311(TX)
Q1311	1530002060	S.TRA 2SC4081 T106 R
Q1381	1540000550	S.TRA 2SD1664 T100Q
Q1382	1590000680	S.TRA DTC114EUA T106
Q1771	1510000510	S.TRA 2SA1576A T106R
Q1772	1530002060	S.TRA 2SC4081 T106 R
Q2021	1530003091	S.TRA 2SC4213-B(TE85R,F) [USA]
	1530003091	S.TRA 2SC4213-B(TE85R,F) [EUR]
	1530003091	S.TRA 2SC4213-B(TE85R,F) [AUS]
	1530003091	S.TRA 2SC4213-B(TE85R,F) [UK]
	1530003091	S.TRA 2SC4213-B(TE85R,F) [DEN]
	1530003091	S.TRA 2SC4213-B(TE85R,F) [SEA]
	1530003091	S.TRA 2SC4213-B(TE85R,F) [OTH]
D141	1750000461	S.DIO 1SV246-TL-E
D142	1750000461	S.DIO 1SV246-TL-E
D151	1750000971	S.DIO CPH5513-TL-E
D172	1790000620	S.DIO MA77(TX)
D181	1750000971	S.DIO CPH5513-TL-E
D182	1790000620	S.DIO MA77(TX)

[MAIN UNIT]

REF NO.	ORDER NO.	DESCRIPTION	
L444	6200001831	S.COI NLV32T-100J	
L461	6150004270	COI LS-483A (C-14924)	
L462	6150004270	COI LS-483A (C-14924)	
L471	6150004280	COI LS-484B (C-14927)	
L491	6140002810	S.COI LR-317	
L492	6140002810	S.COI LR-317	
L701	6150000711	COI LS-452	
L711	6150000711	COI LS-452	
L712	6150000711	COI LS-452	
L721	6200001831	S.COI NLV32T-100J	
L731	6150004050	COI LS-466	
L732	6150004050	COI LS-466	
L733	6200003241	S.COI NLV32T-221J	
L891	6150002291	COI LS-450	
L892	6150002291	COI LS-450	
L911	6150002291	COI LS-450	
L1001	6200003241	S.COI NLV32T-221J	
L1291	6170000140	COI LW-15	
L1311	6200003241	S.COI NLV32T-221J	
L1321	6200003950	S.COI HF50ACC 322513-T	
L1322	6200003950	S.COI HF50ACC 322513-T	
L1411	6200003241	S.COI NLV32T-221J	
L1412	6200005491	S.COI NLV32T-331J	
L1771	6200003241	S.COI NLV32T-221J	
L2011	6200005491	S.COI NLV32T-331J	[USA]
	6200005491	S.COI NLV32T-331J	[EUR]
	6200005491	S.COI NLV32T-331J	[AUS]
	6200005491	S.COI NLV32T-331J	[UK]
	6200005491	S.COI NLV32T-331J	[DEN]
	6200005491	S.COI NLV32T-331J	[SEA]
	6200005491	S.COI NLV32T-331J	[OTH]
L2041	6200003241	S.COI NLV32T-221J	[USA]
	6200003241	S.COI NLV32T-221J	[EUR]
	6200003241	S.COI NLV32T-221J	[AUS]
	6200003241	S.COI NLV32T-221J	[UK]
	6200003241	S.COI NLV32T-221J	[DEN]
	6200003241	S.COI NLV32T-221J	[SEA]
	6200003241	S.COI NLV32T-221J	[OTH]
R101	7030003640	S.RES ERJ3GEYJ 473 V (47K)	
R102	7540000090	ABS DSP-201M-S00B	
R111	7030003640	S.RES ERJ3GEYJ 473 V (47K)	
R112	7540000090	ABS DSP-201M-S00B	
R141	7030003480	S.RES ERJ3GEYJ 222 V (2.2K)	
R142	7030003400	S.RES ERJ3GEYJ 471 V (470)	
R143	7030003380	S.RES ERJ3GEYJ 331 V (330)	
R144	7030003300	S.RES ERJ3GEYJ 680 V (68)	
R151	7030006260	S.RES ERJ12YJ471U (470)	
R152	7030003560	S.RES ERJ3GEYJ 103 V (10K)	
R171	7030003370	S.RES ERJ3GEYJ 271 V (270)	
R172	7030003230	S.RES ERJ3GEYJ 180 V (18)	
R173	7030003370	S.RES ERJ3GEYJ 271 V (270)	
R174	7030003200	S.RES ERJ3GEYJ 100 V (10)	
R181	7030003320	S.RES ERJ3GEYJ 101 V (100)	
R201	7030003320	S.RES ERJ3GEYJ 101 V (100)	
R221	7030003320	S.RES ERJ3GEYJ 101 V (100)	
R241	7030003320	S.RES ERJ3GEYJ 101 V (100)	
R261	7030003320	S.RES ERJ3GEYJ 101 V (100)	
R281	7030003320	S.RES ERJ3GEYJ 101 V (100)	
R301	7030003320	S.RES ERJ3GEYJ 101 V (100)	
R321	7030003320	S.RES ERJ3GEYJ 101 V (100)	
R341	7030003320	S.RES ERJ3GEYJ 101 V (100)	
R361	7030006260	S.RES ERJ12YJ471U (470)	
R362	7030006260	S.RES ERJ12YJ471U (470)	
R371	7030003320	S.RES ERJ3GEYJ 101 V (100)	
R372	7030003320	S.RES ERJ3GEYJ 101 V (100)	
R381	7030003320	S.RES ERJ3GEYJ 101 V (100)	
R382	7030003280	S.RES ERJ3GEYJ 470 V (47)	
R383	7030003280	S.RES ERJ3GEYJ 470 V (47)	
R384	7030003320	S.RES ERJ3GEYJ 101 V (100)	
R385	7030003320	S.RES ERJ3GEYJ 101 V (100)	
R386	7030003320	S.RES ERJ3GEYJ 101 V (100)	
R391	7030003320	S.RES ERJ3GEYJ 101 V (100)	
R392	7030003400	S.RES ERJ3GEYJ 471 V (470)	
R393	7030003320	S.RES ERJ3GEYJ 101 V (100)	
R394	7030003370	S.RES ERJ3GEYJ 271 V (270)	
R395	7030003230	S.RES ERJ3GEYJ 180 V (18)	
R396	7030003370	S.RES ERJ3GEYJ 271 V (270)	
R401	7030006260	S.RES ERJ12YJ471U (470)	
R411	7030003300	S.RES ERJ3GEYJ 680 V (68)	
R412	7030003520	S.RES ERJ3GEYJ 472 V (4.7K)	
R413	7030003410	S.RES ERJ3GEYJ 561 V (560)	
R414	7030003200	S.RES ERJ3GEYJ 100 V (10)	
R415	7030003280	S.RES ERJ3GEYJ 470 V (47)	
R442	7030003410	S.RES ERJ3GEYJ 561 V (560)	
R443	7030003410	S.RES ERJ3GEYJ 561 V (560)	
R444	7310005050	S.TRI RH03ADCS3X (4.7K)	
R445	7030003280	S.RES ERJ3GEYJ 470 V (47)	
R446	7030003560	S.RES ERJ3GEYJ 103 V (10K)	
R447	7030003280	S.RES ERJ3GEYJ 470 V (47)	
R448	7030003400	S.RES ERJ3GEYJ 471 V (470)	
R449	7030003320	S.RES ERJ3GEYJ 101 V (100)	
R471	7030003760	S.RES ERJ3GEYJ 474 V (470K)	
R472	7030003280	S.RES ERJ3GEYJ 470 V (47)	
R473	7030003200	S.RES ERJ3GEYJ 100 V (10)	
R474	7030003520	S.RES ERJ3GEYJ 472 V (4.7K)	
R475	7030003580	S.RES ERJ3GEYJ 153 V (15K)	
R476	7030003480	S.RES ERJ3GEYJ 222 V (2.2K)	
R477	7030003340	S.RES ERJ3GEYJ 151 V (150)	
R478	7030003480	S.RES ERJ3GEYJ 222 V (2.2K)	
R479	7030003280	S.RES ERJ3GEYJ 470 V (47)	
R491	7030003370	S.RES ERJ3GEYJ 271 V (270)	
R492	7030003230	S.RES ERJ3GEYJ 180 V (18)	

[MAIN UNIT]

REF NO.	ORDER NO.	DESCRIPTION	
R493	7030003370	S.RES ERJ3GEYJ 271 V (270)	
R563	7030003640	S.RES ERJ3GEYJ 473 V (47K)	
R564	7030003640	S.RES ERJ3GEYJ 473 V (47K)	
R565	7030003640	S.RES ERJ3GEYJ 473 V (47K)	
R566	7030003640	S.RES ERJ3GEYJ 473 V (47K)	
R567	7030003640	S.RES ERJ3GEYJ 473 V (47K)	
R568	7030003640	S.RES ERJ3GEYJ 473 V (47K)	
R569	7030003640	S.RES ERJ3GEYJ 473 V (47K)	
R570	7030003640	S.RES ERJ3GEYJ 473 V (47K)	
R571	7030003200	S.RES ERJ3GEYJ 100 V (10)	
R572	7030003200	S.RES ERJ3GEYJ 100 V (10)	
R573	7030003200	S.RES ERJ3GEYJ 100 V (10)	
R574	7030003200	S.RES ERJ3GEYJ 100 V (10)	
R575	7030003200	S.RES ERJ3GEYJ 100 V (10)	
R576	7030003200	S.RES ERJ3GEYJ 100 V (10)	
R577	7030003200	S.RES ERJ3GEYJ 100 V (10)	
R578	7030003200	S.RES ERJ3GEYJ 100 V (10)	
R579	7030003640	S.RES ERJ3GEYJ 473 V (47K)	
R580	7030003640	S.RES ERJ3GEYJ 473 V (47K)	
R583	7030003640	S.RES ERJ3GEYJ 473 V (47K)	
R587	7030003200	S.RES ERJ3GEYJ 100 V (10)	
R588	7030003200	S.RES ERJ3GEYJ 100 V (10)	
R589	7030003200	S.RES ERJ3GEYJ 100 V (10)	
R590	7030003200	S.RES ERJ3GEYJ 100 V (10)	
R591	7030003200	S.RES ERJ3GEYJ 100 V (10)	
R592	7030003200	S.RES ERJ3GEYJ 100 V (10)	
R593	7030003200	S.RES ERJ3GEYJ 100 V (10)	
R711	7030003480	S.RES ERJ3GEYJ 222 V (2.2K)	
R712	7030003480	S.RES ERJ3GEYJ 222 V (2.2K)	
R713	7030003360	S.RES ERJ3GEYJ 221 V (220)	
R721	7030003520	S.RES ERJ3GEYJ 472 V (4.7K)	
R722	7030003610	S.RES ERJ3GEYJ 273 V (27K)	
R723	7030003760	S.RES ERJ3GEYJ 474 V (470K)	
R724	7030003340	S.RES ERJ3GEYJ 151 V (150)	
R725	7030003320	S.RES ERJ3GEYJ 101 V (100)	
R731	7030003680	S.RES ERJ3GEYJ 104 V (100K)	
R732	7030003520	S.RES ERJ3GEYJ 472 V (4.7K)	
R733	7030003320	S.RES ERJ3GEYJ 101 V (100)	
R734	7030003320	S.RES ERJ3GEYJ 101 V (100)	
R735	7030003600	S.RES ERJ3GEYJ 223 V (22K)	
R736	7310005020	S.TRI RH03ADC14X (10K)	
R737	7030003640	S.RES ERJ3GEYJ 473 V (47K)	
R738	7030003640	S.RES ERJ3GEYJ 473 V (47K)	
R739	7030003640	S.RES ERJ3GEYJ 473 V (47K)	
R740	7030003440	S.RES ERJ3GEYJ 102 V (1K)	
R741	7030003520	S.RES ERJ3GEYJ 472 V (4.7K)	
R742	7030003320	S.RES ERJ3GEYJ 101 V (100)	
R743	7030003640	S.RES ERJ3GEYJ 473 V (47K)	
R744	7030003520	S.RES ERJ3GEYJ 472 V (4.7K)	
R745	7030003680	S.RES ERJ3GEYJ 104 V (100K)	
R746	7030003540	S.RES ERJ3GEYJ 682 V (6.8K)	
R747	7030003440	S.RES ERJ3GEYJ 102 V (1K)	
R748	7030003400	S.RES ERJ3GEYJ 471 V (470)	
R749	7030003600	S.RES ERJ3GEYJ 223 V (22K)	
R750	7030003440	S.RES ERJ3GEYJ 102 V (1K)	
R751	7030003280	S.RES ERJ3GEYJ 470 V (47)	
R761	7030003480	S.RES ERJ3GEYJ 222 V (2.2K)	
R762	7030003360	S.RES ERJ3GEYJ 221 V (220)	
R763	7030003360	S.RES ERJ3GEYJ 221 V (220)	
R764	7030003480	S.RES ERJ3GEYJ 222 V (2.2K)	
R765	7030003560	S.RES ERJ3GEYJ 103 V (10K)	
R771	7030003480	S.RES ERJ3GEYJ 222 V (2.2K)	
R772	7030003360	S.RES ERJ3GEYJ 221 V (220)	
R773	7030003360	S.RES ERJ3GEYJ 221 V (220)	
R774	7030003480	S.RES ERJ3GEYJ 222 V (2.2K)	
R775	7030003560	S.RES ERJ3GEYJ 103 V (10K)	
R781	7030003480	S.RES ERJ3GEYJ 222 V (2.2K)	
R782	7030003360	S.RES ERJ3GEYJ 221 V (220)	
R783	7030003360	S.RES ERJ3GEYJ 221 V (220)	
R784	7030003480	S.RES ERJ3GEYJ 222 V (2.2K)	
R785	7030003560	S.RES ERJ3GEYJ 103 V (10K)	
R791	7030003480	S.RES ERJ3GEYJ 222 V (2.2K)	
R792	7030003520	S.RES ERJ3GEYJ 472 V (4.7K)	
R793	7030003480	S.RES ERJ3GEYJ 222 V (2.2K)	
R794	7030003480	S.RES ERJ3GEYJ 222 V (2.2K)	
R795	7030003520	S.RES ERJ3GEYJ 472 V (4.7K)	
R796	7030003480	S.RES ERJ3GEYJ 222 V (2.2K)	
R801	7030003440	S.RES ERJ3GEYJ 102 V (1K)	
R802	7030003320	S.RES ERJ3GEYJ 101 V (100)	
R811	7030003460	S.RES ERJ3GEYJ 152 V (1.5K)	
R812	7030003400	S.RES ERJ3GEYJ 471 V (470)	
R813	7030003400	S.RES ERJ3GEYJ 471 V (470)	
R814	7030003500	S.RES ERJ3GEYJ 332 V (3.3K)	
R815	7030003500	S.RES ERJ3GEYJ 332 V (3.3K)	
R816	7030003490	S.RES ERJ3GEYJ 272 V (2.7K)	
R817	7030003490	S.RES ERJ3GEYJ 272 V (2.7K)	
R818	7030003490	S.RES ERJ3GEYJ 272 V (2.7K)	
R819	7030003440	S.RES ERJ3GEYJ 102 V (1K)	
R820	7030003440	S.RES ERJ3GEYJ 102 V (1K)	
R821	7030003500	S.RES ERJ3GEYJ 332 V (3.3K)	
R822	7030003200	S.RES ERJ3GEYJ 100 V (10)	
R823	7030003200	S.RES ERJ3GEYJ 100 V (10)	
R824	7030003360	S.RES ERJ3GEYJ 221 V (220)	
R825	7510001480	S.THE NTCG10 3NH 681JT	
R831	7030004710	S.RES ERJ3GEYJ 475 V (4.7M)	
R832	7030004710	S.RES ERJ3GEYJ 475 V (4.7M)	
R833	7030004710	S.RES ERJ3GEYJ 475 V (4.7M)	
R834	7030004710	S.RES ERJ3GEYJ 475 V (4.7M)	
R835	7030003820	S.RES ERJ3GEYJ 155 V (1.5M)	
R836	7030003520	S.RES ERJ3GEYJ 472 V (4.7K)	
R841	7030003560	S.RES ERJ3GEYJ 103 V (10K)	
R851	7030003560	S.RES ERJ3GEYJ 103 V (10K)	
R852	7030003360	S.RES ERJ3GEYJ 221 V (220)	
R853	7030003360	S.RES ERJ3GEYJ 221 V (220)	

S.=Surface mount

[MAIN UNIT]

REF NO.	ORDER NO.	DESCRIPTION
R854	7030003560	S.RES ERJ3GEYJ 103 V (10K)
R855	7030003560	S.RES ERJ3GEYJ 103 V (10K)
R861	7030003560	S.RES ERJ3GEYJ 103 V (10K)
R862	7030003360	S.RES ERJ3GEYJ 221 V (220)
R863	7030003360	S.RES ERJ3GEYJ 221 V (220)
R864	7030003560	S.RES ERJ3GEYJ 103 V (10K)
R865	7030003560	S.RES ERJ3GEYJ 103 V (10K)
R871	7030003510	S.RES ERJ3GEYJ 392 V (3.9K)
R872	7030003360	S.RES ERJ3GEYJ 221 V (220)
R873	7030003360	S.RES ERJ3GEYJ 221 V (220)
R874	7030003510	S.RES ERJ3GEYJ 392 V (3.9K)
R875	7030003560	S.RES ERJ3GEYJ 103 V (10K)
R881	7030003510	S.RES ERJ3GEYJ 392 V (3.9K)
R882	7030003360	S.RES ERJ3GEYJ 221 V (220)
R883	7030003360	S.RES ERJ3GEYJ 221 V (220)
R884	7030003510	S.RES ERJ3GEYJ 392 V (3.9K)
R885	7030003560	S.RES ERJ3GEYJ 103 V (10K)
R891	7030003560	S.RES ERJ3GEYJ 103 V (10K)
R892	7030003320	S.RES ERJ3GEYJ 101 V (100)
R893	7030003480	S.RES ERJ3GEYJ 222 V (2.2K)
R894	7030003600	S.RES ERJ3GEYJ 223 V (22K)
R895	7030003380	S.RES ERJ3GEYJ 331 V (330)
R896	7030003500	S.RES ERJ3GEYJ 332 V (3.3K)
R897	7030003320	S.RES ERJ3GEYJ 101 V (100)
R898	7310005020	S.TRI RH03ADC14X (10K)
R911	7030003320	S.RES ERJ3GEYJ 101 V (100)
R912	7030003480	S.RES ERJ3GEYJ 222 V (2.2K)
R913	7030003320	S.RES ERJ3GEYJ 101 V (100)
R914	7030003560	S.RES ERJ3GEYJ 103 V (10K)
R915	7030003560	S.RES ERJ3GEYJ 103 V (10K)
R1001	7030003520	S.RES ERJ3GEYJ 472 V (4.7K)
R1002	7030003320	S.RES ERJ3GEYJ 101 V (100)
R1003	7030003700	S.RES ERJ3GEYJ 154 V (150K)
R1004	7030003500	S.RES ERJ3GEYJ 332 V (3.3K)
R1005	7030003720	S.RES ERJ3GEYJ 224 V (220K)
R1006	7030003460	S.RES ERJ3GEYJ 152 V (1.5K)
R1007	7030003360	S.RES ERJ3GEYJ 221 V (220)
R1008	7030003720	S.RES ERJ3GEYJ 224 V (220K)
R1021	7030003560	S.RES ERJ3GEYJ 103 V (10K)
R1022	7030003630	S.RES ERJ3GEYJ 393 V (39K)
R1023	7030003660	S.RES ERJ3GEYJ 683 V (68K)
R1024	7030003640	S.RES ERJ3GEYJ 473 V (47K)
R1031	7030003360	S.RES ERJ3GEYJ 221 V (220)
R1032	7030003720	S.RES ERJ3GEYJ 224 V (220K)
R1033	7030003440	S.RES ERJ3GEYJ 102 V (1K)
R1041	7030003440	S.RES ERJ3GEYJ 102 V (1K)
		[USA-1]
		[OTH-1]
		[CHN]
R1042	7030003680	S.RES ERJ3GEYJ 104 V (100K)
		[USA-1]
		[OTH-1]
		[CHN]
R1043	7030003440	S.RES ERJ3GEYJ 102 V (1K)
		[USA-1]
		[OTH-1]
		[CHN]
R1044	7030003660	S.RES ERJ3GEYJ 683 V (68K)
		[USA-1]
		[OTH-1]
		[CHN]
R1045	7030003640	S.RES ERJ3GEYJ 473 V (47K)
		[USA-1]
		[OTH-1]
		[CHN]
R1051	7030003490	S.RES ERJ3GEYJ 272 V (2.7K)
R1052	7030003520	S.RES ERJ3GEYJ 472 V (4.7K)
R1053	7030003400	S.RES ERJ3GEYJ 471 V (470)
R1061	7030003680	S.RES ERJ3GEYJ 104 V (100K)
R1062	7030003600	S.RES ERJ3GEYJ 223 V (22K)
R1063	7030003440	S.RES ERJ3GEYJ 102 V (1K)
R1064	7030003780	S.RES ERJ3GEYJ 684 V (680K)
R1065	7030003520	S.RES ERJ3GEYJ 472 V (4.7K)
R1066	7030003600	S.RES ERJ3GEYJ 223 V (22K)
R1067	7030003740	S.RES ERJ3GEYJ 334 V (330K)
R1068	7030003560	S.RES ERJ3GEYJ 103 V (10K)
R1081	7030003360	S.RES ERJ3GEYJ 221 V (220)
R1082	7030003440	S.RES ERJ3GEYJ 102 V (1K)
R1084	7030003640	S.RES ERJ3GEYJ 473 V (47K)
R1101	7030003440	S.RES ERJ3GEYJ 102 V (1K)
R1102	7030003460	S.RES ERJ3GEYJ 152 V (1.5K)
R1103	7030003440	S.RES ERJ3GEYJ 102 V (1K)
R1104	7030003500	S.RES ERJ3GEYJ 332 V (3.3K)
R1105	7030003480	S.RES ERJ3GEYJ 222 V (2.2K)
R1106	7030003200	S.RES ERJ3GEYJ 100 V (10)
R1107	7030003460	S.RES ERJ3GEYJ 152 V (1.5K)
R1108	7030003440	S.RES ERJ3GEYJ 102 V (1K)
R1109	7030003440	S.RES ERJ3GEYJ 102 V (1K)
R1110	7030003480	S.RES ERJ3GEYJ 222 V (2.2K)
R1111	7030003200	S.RES ERJ3GEYJ 100 V (10)
R1201	7030003660	S.RES ERJ3GEYJ 683 V (68K)
R1202	7030003480	S.RES ERJ3GEYJ 222 V (2.2K)
R1203	7030003670	S.RES ERJ3GEYJ 823 V (82K)
		[USA-1]
		[OTH-1]
		[CHN]
R1204	7030003640	S.RES ERJ3GEYJ 473 V (47K)
		[USA]
		[EUR]
		[AUS]
		[UK]
		[SEA]
		[OTH]
R1204	7030003640	S.RES ERJ3GEYJ 473 V (47K)
		[USA]
		[EUR]
		[AUS]
		[UK]
		[SEA]
		[OTH]
R1205	7030003640	S.RES ERJ3GEYJ 473 V (47K)
		[USA]
		[EUR]
		[AUS]
		[UK]
		[SEA]
		[OTH]
		[CHN]

[MAIN UNIT]

REF NO.	ORDER NO.	DESCRIPTION
R1211	7030003640	S.RES ERJ3GEYJ 473 V (47K)
R1212	7030003630	S.RES ERJ3GEYJ 393 V (39K)
R1213	7030003630	S.RES ERJ3GEYJ 393 V (39K)
R1214	7030003630	S.RES ERJ3GEYJ 393 V (39K)
R1215	7030003630	S.RES ERJ3GEYJ 393 V (39K)
R1231	7030003400	S.RES ERJ3GEYJ 471 V (470)
R1232	7030003400	S.RES ERJ3GEYJ 471 V (470)
R1233	7030003400	S.RES ERJ3GEYJ 471 V (470)
R1234	7030003400	S.RES ERJ3GEYJ 471 V (470)
R1235	7030003400	S.RES ERJ3GEYJ 471 V (470)
R1236	7030003400	S.RES ERJ3GEYJ 471 V (470)
R1251	7030003680	S.RES ERJ3GEYJ 104 V (100K)
R1252	7030003680	S.RES ERJ3GEYJ 104 V (100K)
R1253	7030003680	S.RES ERJ3GEYJ 104 V (100K)
R1254	7310005050	S.TRI RH03ADC3X (4.7K)
R1255	7030003400	S.RES ERJ3GEYJ 471 V (470)
R1256	7030003640	S.RES ERJ3GEYJ 473 V (47K)
R1257	7030003560	S.RES ERJ3GEYJ 103 V (10K)
R1258	7030003520	S.RES ERJ3GEYJ 472 V (4.7K)
R1259	7030003520	S.RES ERJ3GEYJ 472 V (4.7K)
R1260	7030003320	S.RES ERJ3GEYJ 101 V (100)
R1261	7030003480	S.RES ERJ3GEYJ 222 V (2.2K)
R1262	7030003550	S.RES ERJ3GEYJ 822 V (8.2K)
R1263	7030003610	S.RES ERJ3GEYJ 273 V (27K)
R1271	7030003640	S.RES ERJ3GEYJ 473 V (47K)
R1272	7030003440	S.RES ERJ3GEYJ 102 V (1K)
R1281	7030003680	S.RES ERJ3GEYJ 104 V (100K)
R1291	7030003550	S.RES ERJ3GEYJ 822 V (8.2K)
R1292	7030003400	S.RES ERJ3GEYJ 471 V (470)
R1293	7030003400	S.RES ERJ3GEYJ 471 V (470)
R1311	7030003520	S.RES ERJ3GEYJ 472 V (4.7K)
R1312	7030003620	S.RES ERJ3GEYJ 333 V (33K)
R1313	7030003580	S.RES ERJ3GEYJ 153 V (15K)
R1314	7030003640	S.RES ERJ3GEYJ 473 V (47K)
R1351	7030003200	S.RES ERJ3GEYJ 100 V (10)
R1371	7030003520	S.RES ERJ3GEYJ 472 V (4.7K)
R1372	7030003640	S.RES ERJ3GEYJ 473 V (47K)
R1374	7030003520	S.RES ERJ3GEYJ 472 V (4.7K)
R1381	7030003280	S.RES ERJ3GEYJ 470 V (47)
R1382	7030003480	S.RES ERJ3GEYJ 222 V (2.2K)
R1401	7070001060	RES ERG2SJ 120
R1411	7030003320	S.RES ERJ3GEYJ 101 V (100)
R1412	7030003560	S.RES ERJ3GEYJ 103 V (10K)
R1413	7030003680	S.RES ERJ3GEYJ 104 V (100K)
R1414	7030003320	S.RES ERJ3GEYJ 101 V (100)
R1415	7030003320	S.RES ERJ3GEYJ 101 V (100)
R1416	7030003320	S.RES ERJ3GEYJ 101 V (100)
R1771	7030003540	S.RES ERJ3GEYJ 682 V (6.8K)
R1772	7030003620	S.RES ERJ3GEYJ 333 V (33K)
R1773	7030003640	S.RES ERJ3GEYJ 473 V (47K)
R1774	7030003580	S.RES ERJ3GEYJ 153 V (15K)
R2001	7030003560	S.RES ERJ3GEYJ 103 V (10K)
		[USA]
		[EUR]
		[AUS]
		[UK]
		[SEA]
		[OTH]
		[USA]
		[EUR]
		[AUS]
		[UK]
		[SEA]
		[OTH]
		[CHN]
R2002	7030003360	S.RES ERJ3GEYJ 221 V (220)
		[USA]
		[EUR]
		[AUS]
		[UK]
		[SEA]
		[OTH]
		[CHN]
R2011	7030003560	S.RES ERJ3GEYJ 103 V (10K)
		[USA]
		[EUR]
		[AUS]
		[UK]
		[SEA]
		[OTH]
		[CHN]
R2012	7030003680	S.RES ERJ3GEYJ 104 V (100K)
		[USA]
		[EUR]
		[AUS]
		[UK]
		[SEA]
		[OTH]
		[CHN]
R2021	7030003510	S.RES ERJ3GEYJ 392 V (3.9K)
		[USA]
		[EUR]
		[AUS]
		[UK]
		[SEA]
		[OTH]
		[CHN]
R2022	7030003440	S.RES ERJ3GEYJ 102 V (1K)
		[USA]
		[EUR]
		[AUS]
		[UK]
		[SEA]
		[OTH]
		[CHN]
R2023	7010006940	RES PSD1/4 1 K
		[USA]
		[EUR]
		[AUS]
		[UK]
		[SEA]
		[OTH]
		[CHN]
R2031	7030003640	S.RES ERJ3GEYJ 473 V (47K)
		[USA]
		[EUR]
		[AUS]
		[UK]
		[SEA]
		[OTH]
		[CHN]

S.=Surface mount

[MAIN UNIT]

REF NO.	ORDER NO.	DESCRIPTION	
C814	4030011600	S.CER C1608 JB 1E 104K-T	
C816	4030006880	S.CER C1608 JB 1H 472K-T	
C818	4030011600	S.CER C1608 JB 1E 104K-T	
C831	4030008650	S.CER C1608 JB 1H 332K-T	
C841	4030006880	S.CER C1608 JB 1H 472K-T	
C851	4030011600	S.CER C1608 JB 1E 104K-T	
C852	4030011600	S.CER C1608 JB 1E 104K-T	
C861	4030011600	S.CER C1608 JB 1E 104K-T	
C862	4030011600	S.CER C1608 JB 1E 104K-T	
C871	4030011600	S.CER C1608 JB 1E 104K-T	
C872	4030011600	S.CER C1608 JB 1E 104K-T	
C881	4030011600	S.CER C1608 JB 1E 104K-T	
C882	4030011600	S.CER C1608 JB 1E 104K-T	
C891	4030011600	S.CER C1608 JB 1E 104K-T	
C892	4030006880	S.CER C1608 JB 1H 472K-T	
C893	4030006880	S.CER C1608 JB 1H 472K-T	
C894	4030011600	S.CER C1608 JB 1E 104K-T	
C895	4030007050	S.CER C1608 CH 1H 220J-T	
C896	4030011600	S.CER C1608 JB 1E 104K-T	
C897	4030006880	S.CER C1608 JB 1H 472K-T	
C911	4030011600	S.CER C1608 JB 1E 104K-T	
C912	4030007170	S.CER C1608 CH 1H 221J-T	
C913	4030011600	S.CER C1608 JB 1E 104K-T	
C914	4510008530	S.ELE EEE1HA2R2SR	
C1001	4030011600	S.CER C1608 JB 1E 104K-T	
C1002	4030006880	S.CER C1608 JB 1H 472K-T	
C1003	4030011600	S.CER C1608 JB 1E 104K-T	
C1004	4030007170	S.CER C1608 CH 1H 221J-T	
C1005	4030007170	S.CER C1608 CH 1H 221J-T	
C1006	4030006880	S.CER C1608 JB 1H 472K-T	
C1007	4030007130	S.CER C1608 CH 1H 101J-T	
C1008	4510008540	S.ELE EEE1CA100SR	
C1009	4030011600	S.CER C1608 JB 1E 104K-T	
C1010	4030011600	S.CER C1608 JB 1E 104K-T	
C1021	4030011600	S.CER C1608 JB 1E 104K-T	
C1022	4030006900	S.CER C1608 JB 1H 103K-T	
C1023	4030006900	S.CER C1608 JB 1H 103K-T	
C1024	4030011600	S.CER C1608 JB 1E 104K-T	
C1031	4030011600	S.CER C1608 JB 1E 104K-T	
C1041	4030006880	S.CER C1608 JB 1H 472K-T	[USA-1]
	4030006880	S.CER C1608 JB 1H 472K-T	[OTH-1]
	4030006880	S.CER C1608 JB 1H 472K-T	[CHN]
C1042	4030006880	S.CER C1608 JB 1H 472K-T	[USA-1]
	4030006880	S.CER C1608 JB 1H 472K-T	[OTH-1]
	4030006880	S.CER C1608 JB 1H 472K-T	[CHN]
C1043	4030006880	S.CER C1608 JB 1H 472K-T	[USA-1]
	4030006880	S.CER C1608 JB 1H 472K-T	[OTH-1]
	4030006880	S.CER C1608 JB 1H 472K-T	[CHN]
C1044	4030011600	S.CER C1608 JB 1E 104K-T	[USA-1]
	4030011600	S.CER C1608 JB 1E 104K-T	[OTH-1]
	4030011600	S.CER C1608 JB 1E 104K-T	[CHN]
C1051	4510008540	S.ELE EEE1CA100SR	
C1061	4030006880	S.CER C1608 JB 1H 472K-T	
C1062	4030007130	S.CER C1608 CH 1H 101J-T	
C1063	4510008540	S.ELE EEE1CA100SR	
C1064	4030011600	S.CER C1608 JB 1E 104K-T	
C1065	4510008540	S.ELE EEE1CA100SR	
C1066	4510008530	S.ELE EEE1HA2R2SR	
C1067	4510009270	S.ELE EEEHB1C220UR	
C1081	4030006880	S.CER C1608 JB 1H 472K-T	
C1085	4030006880	S.CER C1608 JB 1H 472K-T	
C1089	4030006880	S.CER C1608 JB 1H 472K-T	
C1090	4030011600	S.CER C1608 JB 1E 104K-T	
C1101	4030011600	S.CER C1608 JB 1E 104K-T	
C1102	4030011600	S.CER C1608 JB 1E 104K-T	
C1103	4030011600	S.CER C1608 JB 1E 104K-T	
C1201	4030006900	S.CER C1608 JB 1H 103K-T	
C1202	4030006900	S.CER C1608 JB 1H 103K-T	
C1211	4030009980	S.CER C1608 JB 1H 152K-T	
C1212	4030010020	S.CER C1608 JB 1H 122K-T	
C1213	4030008650	S.CER C1608 JB 1H 332K-T	
C1214	4030010040	S.CER C1608 JB 1H 561K-T	
C1215	4030011600	S.CER C1608 JB 1E 104K-T	
C1216	4030011600	S.CER C1608 JB 1E 104K-T	
C1217	4030011600	S.CER C1608 JB 1E 104K-T	
C1231	4030006880	S.CER C1608 JB 1H 472K-T	
C1251	4030011600	S.CER C1608 JB 1E 104K-T	
C1253	4030010760	S.CER C1608 CH 1H 331J-T	
C1254	4510008530	S.ELE EEE1HA2R2SR	
C1255	4030006900	S.CER C1608 JB 1H 103K-T	
C1256	4030011600	S.CER C1608 JB 1E 104K-T	
C1257	4510008540	S.ELE EEE1CA100SR	
C1258	4510008540	S.ELE EEE1CA100SR	
C1259	4510008540	S.ELE EEE1CA100SR	
C1260	4510008540	S.ELE EEE1CA100SR	
C1261	4510008540	S.ELE EEE1CA100SR	
C1262	4510008530	S.ELE EEE1HA2R2SR	
C1271	4030006880	S.CER C1608 JB 1H 472K-T	
C1272	4030011600	S.CER C1608 JB 1E 104K-T	
C1281	4030006900	S.CER C1608 JB 1H 103K-T	
C1282	4030006900	S.CER C1608 JB 1H 103K-T	
C1292	4510008540	S.ELE EEE1CA100SR	
C1293	4030011600	S.CER C1608 JB 1E 104K-T	
C1294	4030011600	S.CER C1608 JB 1E 104K-T	
C1295	4510004591	ELE 16 ME 470 HC	
C1296	4510004591	ELE 16 ME 470 HC	
C1311	4030006900	S.CER C1608 JB 1H 103K-T	
C1312	4030006900	S.CER C1608 JB 1H 103K-T	
C1321	4030006900	S.CER C1608 JB 1H 103K-T	
C1322	4030006860	S.CER C1608 JB 1H 102K-T	
C1351	4030006900	S.CER C1608 JB 1H 103K-T	
C1352	4030006900	S.CER C1608 JB 1H 103K-T	
C1353	4510004510	ELE 25 ME 470 HC	
C1361	4510008530	S.ELE EEE1HA2R2SR	

[MAIN UNIT]

REF NO.	ORDER NO.	DESCRIPTION	
C1362	4030011600	S.CER C1608 JB 1E 104K-T	
C1363	4030011600	S.CER C1608 JB 1E 104K-T	
C1364	4030011600	S.CER C1608 JB 1E 104K-T	
C1365	4510008540	S.ELE EEE1CA100SR	
C1371	4510008530	S.ELE EEE1HA2R2SR	
C1372	4030011600	S.CER C1608 JB 1E 104K-T	
C1373	4030011600	S.CER C1608 JB 1E 104K-T	
C1374	4030011600	S.CER C1608 JB 1E 104K-T	
C1375	4510004591	ELE 16 ME 470 HC	
C1376	4030010210	S.CER C3216 JB 1C 105M-T	
C1381	4030011600	S.CER C1608 JB 1E 104K-T	
C1382	4030011600	S.CER C1608 JB 1E 104K-T	
C1391	4510004591	ELE 16 ME 470 HC	
C1392	4030011600	S.CER C1608 JB 1E 104K-T	
C1393	4030011600	S.CER C1608 JB 1E 104K-T	
C1394	4510008540	S.ELE EEE1CA100SR	
C1401	4510008540	S.ELE EEE1CA100SR	
C1402	4030011600	S.CER C1608 JB 1E 104K-T	
C1403	4030011600	S.CER C1608 JB 1E 104K-T	
C1404	4510008540	S.ELE EEE1CA100SR	
C1411	4030011600	S.CER C1608 JB 1E 104K-T	
C1412	4510008520	S.ELE EEE1CA470SP	
C1413	4030011600	S.CER C1608 JB 1E 104K-T	
C1414	4510009270	S.ELE EEEHB1C220UR	
C1415	4030006860	S.CER C1608 JB 1H 102K-T	
C1416	4030006900	S.CER C1608 JB 1H 103K-T	
C1417	4510008520	S.ELE EEE1CA470SP	
C1418	4510008520	S.ELE EEE1CA470SP	
C1419	4030011600	S.CER C1608 JB 1E 104K-T	
C1420	4510008540	S.ELE EEE1CA100SR	
C1421	4030011600	S.CER C1608 JB 1E 104K-T	
C1422	4510008520	S.ELE EEE1CA470SP	
C1502	4030006880	S.CER C1608 JB 1H 472K-T	
C1521	4030006880	S.CER C1608 JB 1H 472K-T	
C1601	4030011600	S.CER C1608 JB 1E 104K-T	
C1602	4030011600	S.CER C1608 JB 1E 104K-T	
C1603	4030011600	S.CER C1608 JB 1E 104K-T	
C1751	4510008540	S.ELE EEE1CA100SR	
C1752	4510008540	S.ELE EEE1CA100SR	
C1753	4510008540	S.ELE EEE1CA100SR	
C1754	4510008540	S.ELE EEE1CA100SR	
C1755	4510008540	S.ELE EEE1CA100SR	
C1756	4030011600	S.CER C1608 JB 1E 104K-T	
C1771	4030011600	S.CER C1608 JB 1E 104K-T	
C2001	4030006860	S.CER C1608 JB 1H 102K-T	[USA]
	4030006860	S.CER C1608 JB 1H 102K-T	[EUR]
	4030006860	S.CER C1608 JB 1H 102K-T	[AUS]
	4030006860	S.CER C1608 JB 1H 102K-T	[UK]
	4030006860	S.CER C1608 JB 1H 102K-T	[DEN]
	4030006860	S.CER C1608 JB 1H 102K-T	[SEA]
	4030006860	S.CER C1608 JB 1H 102K-T	[OTH]
	4030010760	S.CER C1608 CH 1H 331J-T	[USA]
C2011	4030010760	S.CER C1608 CH 1H 331J-T	[EUR]
	4030010760	S.CER C1608 CH 1H 331J-T	[AUS]
	4030010760	S.CER C1608 CH 1H 331J-T	[UK]
	4030010760	S.CER C1608 CH 1H 331J-T	[DEN]
	4030010760	S.CER C1608 CH 1H 331J-T	[SEA]
	4030010760	S.CER C1608 CH 1H 331J-T	[OTH]
	4030007070	S.CER C1608 CH 1H 330J-T	[USA]
C2012	4030007070	S.CER C1608 CH 1H 330J-T	[EUR]
	4030007070	S.CER C1608 CH 1H 330J-T	[AUS]
	4030007070	S.CER C1608 CH 1H 330J-T	[UK]
	4030007070	S.CER C1608 CH 1H 330J-T	[DEN]
	4030007070	S.CER C1608 CH 1H 330J-T	[SEA]
	4030007070	S.CER C1608 CH 1H 330J-T	[OTH]
C2013	4510008540	S.ELE EEE1CA100SR	[USA]
	4510008540	S.ELE EEE1CA100SR	[EUR]
	4510008540	S.ELE EEE1CA100SR	[AUS]
	4510008540	S.ELE EEE1CA100SR	[UK]
	4510008540	S.ELE EEE1CA100SR	[DEN]
	4510008540	S.ELE EEE1CA100SR	[SEA]
	4510008540	S.ELE EEE1CA100SR	[OTH]
C2014	4030011600	S.CER C1608 JB 1E 104K-T	[USA]
	4030011600	S.CER C1608 JB 1E 104K-T	[EUR]
	4030011600	S.CER C1608 JB 1E 104K-T	[AUS]
	4030011600	S.CER C1608 JB 1E 104K-T	[UK]
	4030011600	S.CER C1608 JB 1E 104K-T	[DEN]
	4030011600	S.CER C1608 JB 1E 104K-T	[SEA]
	4030011600	S.CER C1608 JB 1E 104K-T	[OTH]
C2015	4030006900	S.CER C1608 JB 1H 103K-T	[USA]
	4030006900	S.CER C1608 JB 1H 103K-T	[EUR]
	4030006900	S.CER C1608 JB 1H 103K-T	[AUS]
	4030006900	S.CER C1608 JB 1H 103K-T	[UK]
	4030006900	S.CER C1608 JB 1H 103K-T	[DEN]
	4030006900	S.CER C1608 JB 1H 103K-T	[SEA]
	4030006900	S.CER C1608 JB 1H 103K-T	[OTH]
C2016	4510008540	S.ELE EEE1CA100SR	[USA]
	4510008540	S.ELE EEE1CA100SR	[EUR]
	4510008540	S.ELE EEE1CA100SR	[AUS]
	4510008540	S.ELE EEE1CA100SR	[UK]
	4510008540	S.ELE EEE1CA100SR	[DEN]
	4510008540	S.ELE EEE1CA100SR	[SEA]
	4510008540	S.ELE EEE1CA100SR	[OTH]
C2021	4030006860	S.CER C1608 JB 1H 102K-T	[USA]
	4030006860	S.CER C1608 JB 1H 102K-T	[EUR]
	4030006860	S.CER C1608 JB 1H 102K-T	[AUS]
	4030006860	S.CER C1608 JB 1H 102K-T	[UK]
	4030006860	S.CER C1608 JB 1H 102K-T	[DEN]
	4030006860	S.CER C1608 JB 1H 102K-T	[SEA]
	4030006860	S.CER C1608 JB 1H 102K-T	[OTH]
C2022	4030007080	S.CER C1608 CH 1H 390J-T	[USA]
	4030007080	S.CER C1608 CH 1H 390J-T	[EUR]
	4030007080	S.CER C1608 CH 1H 390J-T	[AUS]
	4030007080	S.CER C1608 CH 1H 390J-T	[UK]

S.=Surface mount

[MAIN UNIT]

REF NO.	ORDER NO.	DESCRIPTION		
C2022	4030007080	S.CER	C1608 CH 1H 390J-T	[DEN]
	4030007080	S.CER	C1608 CH 1H 390J-T	[SEA]
	4030007080	S.CER	C1608 CH 1H 390J-T	[OTH]
C2023	4030007020	S.CER	C1608 CH 1H 120J-T	[USA]
	4030007020	S.CER	C1608 CH 1H 120J-T	[EUR]
	4030007020	S.CER	C1608 CH 1H 120J-T	[AUS]
	4030007020	S.CER	C1608 CH 1H 120J-T	[UK]
	4030007020	S.CER	C1608 CH 1H 120J-T	[DEN]
	4030007020	S.CER	C1608 CH 1H 120J-T	[SEA]
	4030007020	S.CER	C1608 CH 1H 120J-T	[OTH]
C2024	4510008520	S.ELE	EEE1CA470SP	[USA]
	4510008520	S.ELE	EEE1CA470SP	[EUR]
	4510008520	S.ELE	EEE1CA470SP	[AUS]
	4510008520	S.ELE	EEE1CA470SP	[UK]
	4510008520	S.ELE	EEE1CA470SP	[DEN]
	4510008520	S.ELE	EEE1CA470SP	[SEA]
	4510008520	S.ELE	EEE1CA470SP	[OTH]
C2031	4030006860	S.CER	C1608 JB 1H 102K-T	[USA]
	4030006860	S.CER	C1608 JB 1H 102K-T	[EUR]
	4030006860	S.CER	C1608 JB 1H 102K-T	[AUS]
	4030006860	S.CER	C1608 JB 1H 102K-T	[UK]
	4030006860	S.CER	C1608 JB 1H 102K-T	[DEN]
	4030006860	S.CER	C1608 JB 1H 102K-T	[SEA]
	4030006860	S.CER	C1608 JB 1H 102K-T	[OTH]
C2032	4030006860	S.CER	C1608 JB 1H 102K-T	[USA]
	4030006860	S.CER	C1608 JB 1H 102K-T	[EUR]
	4030006860	S.CER	C1608 JB 1H 102K-T	[AUS]
	4030006860	S.CER	C1608 JB 1H 102K-T	[UK]
	4030006860	S.CER	C1608 JB 1H 102K-T	[DEN]
	4030006860	S.CER	C1608 JB 1H 102K-T	[SEA]
	4030006860	S.CER	C1608 JB 1H 102K-T	[OTH]
C2033	4030006860	S.CER	C1608 JB 1H 102K-T	[USA]
	4030006860	S.CER	C1608 JB 1H 102K-T	[EUR]
	4030006860	S.CER	C1608 JB 1H 102K-T	[AUS]
	4030006860	S.CER	C1608 JB 1H 102K-T	[UK]
	4030006860	S.CER	C1608 JB 1H 102K-T	[DEN]
	4030006860	S.CER	C1608 JB 1H 102K-T	[SEA]
	4030006860	S.CER	C1608 JB 1H 102K-T	[OTH]
C2034	4030006860	S.CER	C1608 JB 1H 102K-T	[USA]
	4030006860	S.CER	C1608 JB 1H 102K-T	[EUR]
	4030006860	S.CER	C1608 JB 1H 102K-T	[AUS]
	4030006860	S.CER	C1608 JB 1H 102K-T	[UK]
	4030006860	S.CER	C1608 JB 1H 102K-T	[DEN]
	4030006860	S.CER	C1608 JB 1H 102K-T	[SEA]
	4030006860	S.CER	C1608 JB 1H 102K-T	[OTH]
C2035	4030011600	S.CER	C1608 JB 1E 104K-T	[USA]
	4030011600	S.CER	C1608 JB 1E 104K-T	[EUR]
	4030011600	S.CER	C1608 JB 1E 104K-T	[AUS]
	4030011600	S.CER	C1608 JB 1E 104K-T	[UK]
	4030011600	S.CER	C1608 JB 1E 104K-T	[DEN]
	4030011600	S.CER	C1608 JB 1E 104K-T	[SEA]
	4030011600	S.CER	C1608 JB 1E 104K-T	[OTH]
C2036	4030011600	S.CER	C1608 JB 1E 104K-T	[USA]
	4030011600	S.CER	C1608 JB 1E 104K-T	[EUR]
	4030011600	S.CER	C1608 JB 1E 104K-T	[AUS]
	4030011600	S.CER	C1608 JB 1E 104K-T	[UK]
	4030011600	S.CER	C1608 JB 1E 104K-T	[DEN]
	4030011600	S.CER	C1608 JB 1E 104K-T	[SEA]
	4030011600	S.CER	C1608 JB 1E 104K-T	[OTH]
C2037	4030006860	S.CER	C1608 JB 1H 102K-T	[USA]
	4030006860	S.CER	C1608 JB 1H 102K-T	[EUR]
	4030006860	S.CER	C1608 JB 1H 102K-T	[AUS]
	4030006860	S.CER	C1608 JB 1H 102K-T	[UK]
	4030006860	S.CER	C1608 JB 1H 102K-T	[DEN]
	4030006860	S.CER	C1608 JB 1H 102K-T	[SEA]
	4030006860	S.CER	C1608 JB 1H 102K-T	[OTH]
C2041	4510008540	S.ELE	EEE1CA100SR	[USA]
	4510008540	S.ELE	EEE1CA100SR	[EUR]
	4510008540	S.ELE	EEE1CA100SR	[AUS]
	4510008540	S.ELE	EEE1CA100SR	[UK]
	4510008540	S.ELE	EEE1CA100SR	[DEN]
	4510008540	S.ELE	EEE1CA100SR	[SEA]
	4510008540	S.ELE	EEE1CA100SR	[OTH]
C2042	4030011600	S.CER	C1608 JB 1E 104K-T	[USA]
	4030011600	S.CER	C1608 JB 1E 104K-T	[EUR]
	4030011600	S.CER	C1608 JB 1E 104K-T	[AUS]
	4030011600	S.CER	C1608 JB 1E 104K-T	[UK]
	4030011600	S.CER	C1608 JB 1E 104K-T	[DEN]
	4030011600	S.CER	C1608 JB 1E 104K-T	[SEA]
	4030011600	S.CER	C1608 JB 1E 104K-T	[OTH]
C2042	4030011600	S.CER	C1608 JB 1E 104K-T	[USA]
C2051	4510008530	S.ELE	EEE1HA2R2SR	[USA]
	4510008530	S.ELE	EEE1HA2R2SR	[EUR]
	4510008530	S.ELE	EEE1HA2R2SR	[AUS]
	4510008530	S.ELE	EEE1HA2R2SR	[UK]
	4510008530	S.ELE	EEE1HA2R2SR	[DEN]
	4510008530	S.ELE	EEE1HA2R2SR	[SEA]
	4510008530	S.ELE	EEE1HA2R2SR	[OTH]
RL121	6330000180	REL	MZ-12HG	
RL141	6330000180	REL	MZ-12HG	
CP731	6910009670	S.CHE	HK3-S-T	
J101	6510021460	CON	PT-C02P01	
J111	6510007020	CON	TMP-J01X-V6	
J411	6510007020	CON	TMP-J01X-V6	
J491	6510007020	CON	TMP-J01X-V6	
J781	6450001560	CON	PD-72	
J782	6450001560	CON	PD-72	
J783	6450001560	CON	PD-72	
J784	6450001560	CON	PD-72	

[MAIN UNIT]

REF NO.	ORDER NO.	DESCRIPTION	
J811	6510007020	CON	TMP-J01X-V6
J881	6450001560	CON	PD-72
J882	6450001560	CON	PD-72
J883	6450001560	CON	PD-72
J884	6450001560	CON	PD-72
J1081	6510007020	CON	TMP-J01X-V6
J1221	6510018971	S.CON	B4B-PH-SM4-TB(LF)(SN)
J1231	6510019971	S.CON	52808-1071
J1271	6510019191	S.CON	52365-0871
J1311	6450001800	CON	JPJ1044-01-010
J1321	6450000140	CON	HSJ0807-01-010
J1351	6510023650	CON	HEC0740-010618
J1501	6510019981	S.CON	52808-1671(1690)
J1521	6510019981	S.CON	52808-1671(1690)
J1522	6510021861	CON	BH-800.4GG <LTC>
J1541	6510019981	S.CON	52808-1671(1690)
J1561	6510019981	S.CON	52808-1671(1690)
J1701	6450000140	CON	HSJ0807-01-010
J1751	6510021241	CON	DELCO-J9SAF-23L9E
F1351	5210000051	FUS	FGB 3A PBF (FGB0 125V)
F1352	5220000230	HOL	S-N5054 #01
F1353	5220000230	HOL	S-N5054 #01
BT1521	3020000110	LIT	CR2032

S.=Surface mount

[PLL UNIT]

REF NO.	ORDER NO.	DESCRIPTION		
WS1	8970023350		RX2240 1.5D (4)/PL	[EUR]
	8970023350		RX2240 1.5D (4)/PL	[AUS]
	8970023350		RX2240 1.5D (4)/PL	[UK]
	8970023350		RX2240 1.5D (4)/PL	[DEN]
	8970023350		RX2240 1.5D (4)/PL	[SEA]
IC21	1140007881	S.IC	TC190G08EFG0046J/DZ/SC1246A	
IC22	1110004460	S.IC	UPB1509GV-E1	
IC23	1130003831	S.IC	TC7S04F(TE85R,F)	
IC151	1140004550	S.IC	M65343FP/SC1287	
IC201	1140004550	S.IC	M65343FP/SC1287	
Q1	1530002571	S.TRA	2SC4405-3-TL-E	
Q2	1530002571	S.TRA	2SC4405-3-TL-E	
Q3	1590000680	S.TRA	DTC114EUA T106	
Q4	1590000680	S.TRA	DTC114EUA T106	
Q21	1530003001	S.TRA	2SC4117-BL(TE85R,F)	
Q71	1560000491	S.FET	2SK508-T2B-A K52	
Q72	1590000680	S.TRA	DTC114EUA T106	
Q81	1560000491	S.FET	2SK508-T2B-A K52	
Q82	1590000680	S.TRA	DTC114EUA T106	
Q91	1530002571	S.TRA	2SC4405-3-TL-E	
Q92	1590001330	S.TRA	DTA114EUA T106	
Q93	1590000680	S.TRA	DTC114EUA T106	
Q96	1530003001	S.TRA	2SC4117-BL(TE85R,F)	
Q97	1530003001	S.TRA	2SC4117-BL(TE85R,F)	
Q151	1530002880	S.TRA	2SC4226-T1 R24	
Q201	1530002880	S.TRA	2SC4226-T1 R24	
D1	1750000520	S.DIO	DAN222TL	
D2	1750000550	S.DIO	1SS355 TE-17	
D71	1720000831	S.VAR	KV1770STL-G	
D72	1790000620	S.DIO	MA77(TX)	
D81	1720000831	S.VAR	KV1770STL-G	
D82	1790000620	S.DIO	MA77(TX)	
D83	1790001251	S.DIO	MA2S1110GL	
D91	1790000620	S.DIO	MA77(TX)	
D92	1790000620	S.DIO	MA77(TX)	
D93	1790001641	S.DIO	1SS373(TPH3,F)	[USA]
	1790001641	S.DIO	1SS373(TPH3,F)	[EUR]
	1790001641	S.DIO	1SS373(TPH3,F)	[AUS]
	1790001641	S.DIO	1SS373(TPH3,F)	[UK]
	1790001641	S.DIO	1SS373(TPH3,F)	[DEN]
	1790001641	S.DIO	1SS373(TPH3,F)	[SEA]
	1790001641	S.DIO	1SS373(TPH3,F)	[OTH]
	1750001460	S.DIO	1SS389(TPH3,F)	[USA-1]
	1750001460	S.DIO	1SS389(TPH3,F)	[OTH-1]
D94	1750001460	S.DIO	1SS389(TPH3,F)	[CHN]
	1790001641	S.DIO	1SS373(TPH3,F)	[USA]
	1790001641	S.DIO	1SS373(TPH3,F)	[EUR]
	1790001641	S.DIO	1SS373(TPH3,F)	[AUS]
	1790001641	S.DIO	1SS373(TPH3,F)	[UK]
	1790001641	S.DIO	1SS373(TPH3,F)	[DEN]
	1790001641	S.DIO	1SS373(TPH3,F)	[SEA]
	1790001641	S.DIO	1SS373(TPH3,F)	[OTH]
	1750001460	S.DIO	1SS389(TPH3,F)	[USA-1]
	1750001460	S.DIO	1SS389(TPH3,F)	[OTH-1]
	1750001460	S.DIO	1SS389(TPH3,F)	[CHN]
X1	6050005712	XTA	CR-275B HC-49/U 30.000 MHz	
L1	6170000230	COI	LW-25	
L2	6150004370	COI	LS-472C (C-15045)	
L3	6200003950	S.COI	HF50ACC 322513-T	
L4	6150004250	COI	LS-471A (C-14922)	
L5	6150004250	COI	LS-471A (C-14922)	
L22	6200003171	S.COI	NLV32T-330J	
L23	6200003181	S.COI	NLV32T-390J	
L24	6200003181	S.COI	NLV32T-390J	
L25	6200001831	S.COI	NLV32T-100J	
L26	6200003191	S.COI	NLV32T-470J	
L27	6200003191	S.COI	NLV32T-470J	
L71	6170000230	COI	LW-25	
L72	6190001371	COI	#E544GN-110254	
L73	6170000230	COI	LW-25	
L81	6180003390	COI	SP0406-1R2K-6	[USA]
	6180003390	COI	SP0406-1R2K-6	[EUR]
	6180003390	COI	SP0406-1R2K-6	[AUS]
	6180003390	COI	SP0406-1R2K-6	[UK]
	6170000230	COI	LW-25	[DEN]
	6170000230	COI	LW-25	[SEA]
	6180003390	COI	SP0406-1R2K-6	[OTH]
	6180003390	COI	SP0406-1R2K-6	[USA-1]
	6180003390	COI	SP0406-1R2K-6	[OTH-1]
	6180003390	COI	SP0406-1R2K-6	[CHN]
L82	6190001281	COI	#E544GN-110248	
L83	6180003390	COI	SP0406-1R2K-6	[USA]
	6180003390	COI	SP0406-1R2K-6	[EUR]
	6180003390	COI	SP0406-1R2K-6	[AUS]
	6180003390	COI	SP0406-1R2K-6	[UK]
	6170000230	COI	LW-25	[DEN]
	6170000230	COI	LW-25	[SEA]
	6180003390	COI	SP0406-1R2K-6	[OTH]
	6180003390	COI	SP0406-1R2K-6	[USA-1]
	6180003390	COI	SP0406-1R2K-6	[OTH-1]
	6180003390	COI	SP0406-1R2K-6	[CHN]
L91	6180002961	S.COI	NLV32T-R18J	
L92	6180002981	S.COI	NLV32T-056J	
L93	6180002971	S.COI	NLV32T-068J	

[PLL UNIT]

REF NO.	ORDER NO.	DESCRIPTION		
L94	6200001831	S.COI	NLV32T-100J	
L151	6200003131	S.COI	NLV32T-120J	
L152	6200003141	S.COI	NLV32T-150J	
L153	6200001831	S.COI	NLV32T-100J	
L201	6200005491	S.COI	NLV32T-331J	
L202	6200008641	S.COI	NLV32T-391J	
L203	6200001831	S.COI	NLV32T-100J	
L204	6200003640	S.COI	MLF1608E 100K-T	
L205	6200003640	S.COI	MLF1608E 100K-T	
L206	6200004790	S.COI	MLF1608D R47K-T	
L207	6200003950	S.COI	HF50ACC 322513-T	
L208	6200003950	S.COI	HF50ACC 322513-T	
R1	7030003320	S.RES	ERJ3GEYJ 101 V (100)	
R2	7030003580	S.RES	ERJ3GEYJ 153 V (15K)	
R3	7030003520	S.RES	ERJ3GEYJ 472 V (4.7K)	
R4	7030003430	S.RES	ERJ3GEYJ 821 V (820)	
R5	7030003370	S.RES	ERJ3GEYJ 271 V (270)	
R6	7030003320	S.RES	ERJ3GEYJ 101 V (100)	
R7	7030003600	S.RES	ERJ3GEYJ 223 V (22K)	
R8	7030003560	S.RES	ERJ3GEYJ 103 V (10K)	
R9	7030003370	S.RES	ERJ3GEYJ 271 V (270)	
R10	7030003640	S.RES	ERJ3GEYJ 473 V (47K)	
R11	7030003320	S.RES	ERJ3GEYJ 101 V (100)	
R12	7030003200	S.RES	ERJ3GEYJ 100 V (10)	
R13	7030003200	S.RES	ERJ3GEYJ 100 V (10)	
R21	7030003370	S.RES	ERJ3GEYJ 271 V (270)	
R22	7030003560	S.RES	ERJ3GEYJ 103 V (10K)	
R23	7030007220	S.RES	ERA3YED 202V (2K)	[USA]
	7030007220	S.RES	ERA3YED 202V (2K)	[EUR]
	7030007220	S.RES	ERA3YED 202V (2K)	[AUS]
	7030007220	S.RES	ERA3YED 202V (2K)	[UK]
	7030007220	S.RES	ERA3YED 202V (2K)	[DEN]
	7030007220	S.RES	ERA3YED 202V (2K)	[SEA]
	7030007220	S.RES	ERA3YED 202V (2K)	[OTH]
	7030007220	S.RES	ERA3YED 202V (2K)	[USA-1]
	7030007220	S.RES	ERA3YED 202V (2K)	[OTH-1]
R24	7030005400	S.RES	RR0816P-202-D (2K)0	[CHN]
	7030007220	S.RES	ERA3YED 202V (2K)	[USA]
	7030007220	S.RES	ERA3YED 202V (2K)	[EUR]
	7030007220	S.RES	ERA3YED 202V (2K)	[AUS]
	7030007220	S.RES	ERA3YED 202V (2K)	[UK]
	7030007220	S.RES	ERA3YED 202V (2K)	[DEN]
	7030007220	S.RES	ERA3YED 202V (2K)	[SEA]
	7030007220	S.RES	ERA3YED 202V (2K)	[OTH]
	7030007220	S.RES	ERA3YED 202V (2K)	[USA-1]
	7030007220	S.RES	ERA3YED 202V (2K)	[OTH-1]
R25	7030005400	S.RES	RR0816P-202-D (2K)0	[CHN]
	7030007220	S.RES	ERA3YED 202V (2K)	[USA]
	7030007220	S.RES	ERA3YED 202V (2K)	[EUR]
	7030007220	S.RES	ERA3YED 202V (2K)	[AUS]
	7030007220	S.RES	ERA3YED 202V (2K)	[UK]
	7030007220	S.RES	ERA3YED 202V (2K)	[DEN]
	7030007220	S.RES	ERA3YED 202V (2K)	[SEA]
	7030007220	S.RES	ERA3YED 202V (2K)	[OTH]
	7030007220	S.RES	ERA3YED 202V (2K)	[USA-1]
	7030007220	S.RES	ERA3YED 202V (2K)	[OTH-1]
R26	7030005400	S.RES	RR0816P-202-D (2K)0	[CHN]
	7030007220	S.RES	ERA3YED 202V (2K)	[USA]
	7030007220	S.RES	ERA3YED 202V (2K)	[EUR]
	7030007220	S.RES	ERA3YED 202V (2K)	[AUS]
	7030007220	S.RES	ERA3YED 202V (2K)	[UK]
	7030007220	S.RES	ERA3YED 202V (2K)	[DEN]
	7030007220	S.RES	ERA3YED 202V (2K)	[SEA]
	7030007220	S.RES	ERA3YED 202V (2K)	[OTH]
	7030007220	S.RES	ERA3YED 202V (2K)	[USA-1]
	7030007220	S.RES	ERA3YED 202V (2K)	[OTH-1]
R27	7030005400	S.RES	RR0816P-202-D (2K)0	[CHN]
	7030007220	S.RES	ERA3YED 202V (2K)	[USA]
	7030007220	S.RES	ERA3YED 202V (2K)	[EUR]
	7030007220	S.RES	ERA3YED 202V (2K)	[AUS]
	7030007220	S.RES	ERA3YED 202V (2K)	[UK]
	7030007220	S.RES	ERA3YED 202V (2K)	[DEN]
	7030007220	S.RES	ERA3YED 202V (2K)	[SEA]
	7030007220	S.RES	ERA3YED 202V (2K)	[OTH]
	7030007220	S.RES	ERA3YED 202V (2K)	[USA-1]
	7030007220	S.RES	ERA3YED 202V (2K)	[OTH-1]
R28	7030005400	S.RES	RR0816P-202-D (2K)0	[CHN]
	7030007220	S.RES	ERA3YED 202V (2K)	[USA]
	7030007220	S.RES	ERA3YED 202V (2K)	[EUR]
	7030007220	S.RES	ERA3YED 202V (2K)	[AUS]
	7030007220	S.RES	ERA3YED 202V (2K)	[UK]
	7030007220	S.RES	ERA3YED 202V (2K)	[DEN]
	7030007220	S.RES	ERA3YED 202V (2K)	[SEA]
	7030007220	S.RES	ERA3YED 202V (2K)	[OTH]
	7030007220	S.RES	ERA3YED 202V (2K)	[USA-1]
	7030007220	S.RES	ERA3YED 202V (2K)	[OTH-1]
R29	7030005400	S.RES	RR0816P-202-D (2K)0	[CHN]
	7030007220	S.RES	ERA3YED 202V (2K)	[USA]
	7030007220	S.RES	ERA3YED 202V (2K)	[EUR]
	7030007220	S.RES	ERA3YED 202V (2K)	[AUS]
	7030007220	S.RES	ERA3YED 202V (2K)	[UK]
	7030007220	S.RES	ERA3YED 202V (2K)	[DEN]
	7030007220	S.RES	ERA3YED 202V (2K)	[SEA]
	7030007220	S.RES	ERA3YED 202V (2K)	[OTH]
	7030007220	S.RES	ERA3YED 202V (2K)	[USA-1]
	7030007220	S.RES	ERA3YED 202V (2K)	[OTH-1]
R30	7030005400	S.RES	RR0816P-202-D (2K)0	[CHN]
	7030007220	S.RES	ERA3YED 202V (2K)	[USA]
	7030007220	S.RES	ERA3YED 202V (2K)	[EUR]
	7030007220	S.RES	ERA3YED 202V (2K)	[AUS]
	7030007220	S.RES	ERA3YED 202V (2K)	[UK]
	7030007220	S.RES	ERA3YED 202V (2K)	[DEN]

S.=Surface mount

[PLL UNIT]

REF NO.	ORDER NO.	DESCRIPTION		
R222	7030007210	S.RES	ERA3YEB 102V (1K)	[USA]
	7030007210	S.RES	ERA3YEB 102V (1K)	[EUR]
	7030007210	S.RES	ERA3YEB 102V (1K)	[AUS]
	7030007210	S.RES	ERA3YEB 102V (1K)	[UK]
	7030007210	S.RES	ERA3YEB 102V (1K)	[DEN]
	7030007210	S.RES	ERA3YEB 102V (1K)	[SEA]
	7030007210	S.RES	ERA3YEB 102V (1K)	[OTH]
	7030007210	S.RES	ERA3YEB 102V (1K)	[USA-1]
	7030007210	S.RES	ERA3YEB 102V (1K)	[OTH-1]
	7030005380	S.RES	RR0816P-102-B (1K)0	[CHN]
R228	7030003430	S.RES	ERJ3GEYJ 821 V (820)	
R230	7030003440	S.RES	ERJ3GEYJ 102 V (1K)	
R231	7030003440	S.RES	ERJ3GEYJ 102 V (1K)	
R232	7030003440	S.RES	ERJ3GEYJ 102 V (1K)	
R233	7030003440	S.RES	ERJ3GEYJ 102 V (1K)	
R235	7030003440	S.RES	ERJ3GEYJ 102 V (1K)	
R237	7030003520	S.RES	ERJ3GEYJ 472 V (4.7K)	
W1	7030003860	S.RES	ERJ3GE JPW V	
W2	7030003860	S.RES	ERJ3GE JPW V	
W18	7030003860	S.RES	ERJ3GE JPW V	
W19	7030003860	S.RES	ERJ3GE JPW V	
W20	7030003860	S.RES	ERJ3GE JPW V	
C1	4030008310	S.CER	C1608 UJ 1H 390J-T	
C3	4030006880	S.CER	C1608 JB 1H 472K-T	
C4	4030006880	S.CER	C1608 JB 1H 472K-T	
C5	4030007630	S.CER	C1608 RH 1H 121J-T	
C6	4030006880	S.CER	C1608 JB 1H 472K-T	
C7	4030006880	S.CER	C1608 JB 1H 472K-T	
C8	4030006880	S.CER	C1608 JB 1H 472K-T	
C9	4030007170	S.CER	C1608 CH 1H 221J-T	
C10	4030007030	S.CER	C1608 CH 1H 150J-T	
C11	4030006880	S.CER	C1608 JB 1H 472K-T	
C12	4030006910	S.CER	C1608 CH 1H 0R5C-T	
C13	4030007030	S.CER	C1608 CH 1H 150J-T	
C14	4030006880	S.CER	C1608 JB 1H 472K-T	
C15	4030006880	S.CER	C1608 JB 1H 472K-T	
C16	4030007610	S.CER	C1608 RH 1H 820J-T	
C21	4030006880	S.CER	C1608 JB 1H 472K-T	
C23	4030011600	S.CER	C1608 JB 1E 104K-T	
C24	4510008500	S.ELE	EEE1CA101WVP	
C25	4030011600	S.CER	C1608 JB 1E 104K-T	
C26	4030011600	S.CER	C1608 JB 1E 104K-T	
C27	4030011600	S.CER	C1608 JB 1E 104K-T	
C28	4030011600	S.CER	C1608 JB 1E 104K-T	
C29	4030011600	S.CER	C1608 JB 1E 104K-T	
C30	4030011600	S.CER	C1608 JB 1E 104K-T	
C31	4030011600	S.CER	C1608 JB 1E 104K-T	
C32	4030011600	S.CER	C1608 JB 1E 104K-T	
C33	4030011600	S.CER	C1608 JB 1E 104K-T	
C34	4030011600	S.CER	C1608 JB 1E 104K-T	
C35	4030011600	S.CER	C1608 JB 1E 104K-T	
C36	4030011600	S.CER	C1608 JB 1E 104K-T	
C37	4030007070	S.CER	C1608 CH 1H 330J-T	
C38	4030007010	S.CER	C1608 CH 1H 100D-T	
C39	4030011540	S.CER	C1608 CH 1H 750J-T	
C40	4030006980	S.CER	C1608 CH 1H 070D-T	
C41	4030007120	S.CER	C1608 CH 1H 820J-T	
C42	4030006930	S.CER	C1608 CH 1H 020C-T	
C43	4030007100	S.CER	C1608 CH 1H 560J-T	
C44	4030007010	S.CER	C1608 CH 1H 100D-T	
C45	4030006860	S.CER	C1608 JB 1H 102K-T	
C46	4030006860	S.CER	C1608 JB 1H 102K-T	
C50	4030006880	S.CER	C1608 JB 1H 472K-T	
C51	4030011600	S.CER	C1608 JB 1E 104K-T	
C52	4030006880	S.CER	C1608 JB 1H 472K-T	
C53	4030006880	S.CER	C1608 JB 1H 472K-T	
C54	4030006880	S.CER	C1608 JB 1H 472K-T	
C55	4030006880	S.CER	C1608 JB 1H 472K-T	
C56	4030007110	S.CER	C1608 CH 1H 680J-T	
C57	4030007090	S.CER	C1608 CH 1H 470J-T	
C58	4030007100	S.CER	C1608 CH 1H 560J-T	
C59	4030011840	S.CER	C1608 CH 1H 241J-T	
C60	4030009580	S.CER	C1608 JB 1H 681K-T	
C71	4550006250	S.TAN	TEESVA 1A 106M8R	
C72	4030011600	S.CER	C1608 JB 1E 104K-T	
C73	4030006850	S.CER	C1608 JB 1H 471K-T	
C74	4510008540	S.ELE	EEE1CA100SR	
C75	4030007140	S.CER	C1608 CH 1H 121J-T	
C76	4610001830	S.TRI	TZB4S100AB10R00(TZBX4N100BA110)	
C77	4030007010	S.CER	C1608 CH 1H 100D-T	
C78	4030006880	S.CER	C1608 JB 1H 472K-T	
C79	4030009540	S.CER	C1608 CH 1H 1R5B-T	
C80	4030006880	S.CER	C1608 JB 1H 472K-T	
C81	4030006880	S.CER	C1608 JB 1H 472K-T	
C82	4030011600	S.CER	C1608 JB 1E 104K-T	
C83	4030006850	S.CER	C1608 JB 1H 471K-T	
C84	4510008540	S.ELE	EEE1CA100SR	[USA]
	4510008540	S.ELE	EEE1CA100SR	[EUR]
	4510004630	S.ELE	ECEV1CA100SR	[AUS]
	4510008540	S.ELE	EEE1CA100SR	[UK]
	4510004630	S.ELE	ECEV1CA100SR	[DEN]
	4510008540	S.ELE	EEE1CA100SR	[SEA]
	4510008540	S.ELE	EEE1CA100SR	[OTH]
	4510008540	S.ELE	EEE1CA100SR	[USA-1]
	4510008540	S.ELE	EEE1CA100SR	[OTH-1]
	4510008540	S.ELE	EEE1CA100SR	[CHN]
C85	4030006850	S.CER	C1608 JB 1H 471K-T	
C86	4610001830	S.TRI	TZB4S100AB10R00(TZBX4N100BA110)	
C87	4030006950	S.CER	C1608 CH 1H 040C-T	
C88	4030006880	S.CER	C1608 JB 1H 472K-T	

[PLL UNIT]

REF NO.	ORDER NO.	DESCRIPTION		
C89	4030009510	S.CER	C1608 CH 1H 010B-T	
C90	4030006880	S.CER	C1608 JB 1H 472K-T	
C91	4030006880	S.CER	C1608 JB 1H 472K-T	
C92	4030006880	S.CER	C1608 JB 1H 472K-T	
C93	4030006880	S.CER	C1608 JB 1H 472K-T	
C94	4030011600	S.CER	C1608 JB 1E 104K-T	
C95	4030006880	S.CER	C1608 JB 1H 472K-T	
C96	4030007080	S.CER	C1608 CH 1H 390J-T	
C97	4030006990	S.CER	C1608 CH 1H 080D-T	
C98	4030007090	S.CER	C1608 CH 1H 470J-T	
C99	4030006930	S.CER	C1608 CH 1H 020C-T	
C100	4030007080	S.CER	C1608 CH 1H 390J-T	
C101	4030006880	S.CER	C1608 JB 1H 472K-T	
C102	4030007020	S.CER	C1608 CH 1H 120J-T	
C103	4030006970	S.CER	C1608 CH 1H 060D-T	
C104	4030006880	S.CER	C1608 JB 1H 472K-T	
C105	4030006880	S.CER	C1608 JB 1H 472K-T	
C106	4510008500	S.ELE	EEE1CA101WVP	
C107	4030006880	S.CER	C1608 JB 1H 472K-T	
C108	4030006880	S.CER	C1608 JB 1H 472K-T	
C110	4030006880	S.CER	C1608 JB 1H 472K-T	
C111	4030006880	S.CER	C1608 JB 1H 472K-T	
C112	4030006880	S.CER	C1608 JB 1H 472K-T	
C113	4030006880	S.CER	C1608 JB 1H 472K-T	
C114	4030006880	S.CER	C1608 JB 1H 472K-T	
C115	4030006880	S.CER	C1608 JB 1H 472K-T	
C116	4030011600	S.CER	C1608 JB 1E 104K-T	
C117	4030011600	S.CER	C1608 JB 1E 104K-T	
C118	4030006880	S.CER	C1608 JB 1H 472K-T	
C119	4510009270	S.ELE	EEH1C220UR	
C120	4030006850	S.CER	C1608 JB 1H 471K-T	
C121	4030011600	S.CER	C1608 JB 1E 104K-T	
C122	4030011600	S.CER	C1608 JB 1E 104K-T	
C123	4030011600	S.CER	C1608 JB 1E 104K-T	
C124	4030011600	S.CER	C1608 JB 1E 104K-T	
C125	4030007090	S.CER	C1608 CH 1H 470J-T	
C126	4550006250	S.TAN	TEESVA 1A 106M8R	
C127	4030011600	S.CER	C1608 JB 1E 104K-T	
C128	4030011600	S.CER	C1608 JB 1E 104K-T	
C151	4030006880	S.CER	C1608 JB 1H 472K-T	
C152	4030007040	S.CER	C1608 CH 1H 180J-T	
C153	4030006960	S.CER	C1608 CH 1H 050C-T	
C154	4030007070	S.CER	C1608 CH 1H 330J-T	
C155	4030006930	S.CER	C1608 CH 1H 020C-T	
C156	4030007040	S.CER	C1608 CH 1H 180J-T	
C157	4030006880	S.CER	C1608 JB 1H 472K-T	
C164	4030006880	S.CER	C1608 JB 1H 472K-T	
C165	4510008540	S.ELE	EEE1CA100SR	
C167	4030011600	S.CER	C1608 JB 1E 104K-T	
C201	4030006880	S.CER	C1608 JB 1H 472K-T	
C202	4030006850	S.CER	C1608 JB 1H 471K-T	
C203	4030007120	S.CER	C1608 CH 1H 820J-T	
C204	4030009490	S.CER	C1608 JB 1H 821K-T	
C205	4030007070	S.CER	C1608 CH 1H 330J-T	
C206	4030010040	S.CER	C1608 JB 1H 561K-T	
C207	4030006880	S.CER	C1608 JB 1H 472K-T	
C214	4030006880	S.CER	C1608 JB 1H 472K-T	
C215	4510008540	S.ELE	EEE1CA100SR	
C217	4030011600	S.CER	C1608 JB 1E 104K-T	
C305	4510008540	S.ELE	EEE1CA100SR	
C310	4030007090	S.CER	C1608 CH 1H 470J-T	
C311	4030007090	S.CER	C1608 CH 1H 470J-T	
C312	4030007090	S.CER	C1608 CH 1H 470J-T	
C313	4030007090	S.CER	C1608 CH 1H 470J-T	
C314	4030007090	S.CER	C1608 CH 1H 470J-T	
C315	4030007090	S.CER	C1608 CH 1H 470J-T	
C316	4030006860	S.CER	C1608 JB 1H 102K-T	
C317	4030006880	S.CER	C1608 JB 1H 472K-T	
C318	4030006880	S.CER	C1608 JB 1H 472K-T	
C319	4030006880	S.CER	C1608 JB 1H 472K-T	
C320	4030006850	S.CER	C1608 JB 1H 471K-T	
C321	4030006880	S.CER	C1608 JB 1H 472K-T	
C322	4030006880	S.CER	C1608 JB 1H 472K-T	
C323	4030006880	S.CER	C1608 JB 1H 472K-T	
C324	4030006880	S.CER	C1608 JB 1H 472K-T	
C325	4030007100	S.CER	C1608 CH 1H 560J-T	
C326	4030006880	S.CER	C1608 JB 1H 472K-T	
C327	4030006880	S.CER	C1608 JB 1H 472K-T	
C328	4030009500	S.CER	C1608 CH 1H 0R5B-T	
C329	4030006850	S.CER	C1608 JB 1H 471K-T	
C330	4030006880	S.CER	C1608 JB 1H 472K-T	
C331	4030006880	S.CER	C1608 JB 1H 472K-T	
C332	4030006880	S.CER	C1608 JB 1H 472K-T	
RL1	6330001320	REL	AHY103	
J2	6510019981	S.CON	52808-1671(1690)	
J3	6450000140	CON	HSJ0807-01-010	
J4	6450000140	CON	HSJ0807-01-010	
EP2	6910012350	S.BEA	MMZ1608Y 102BT	
EP3	6910012350	S.BEA	MMZ1608Y 102BT	
EP4	6910012350	S.BEA	MMZ1608Y 102BT	
EP5	6910012350	S.BEA	MMZ1608Y 102BT	

[PLL UNIT]

REF NO.	ORDER NO.	DESCRIPTION
EP13	6910012350	S.BEA MMZ1608Y 102BT
EP14	6910012350	S.BEA MMZ1608Y 102BT

[DISPLAY UNIT]

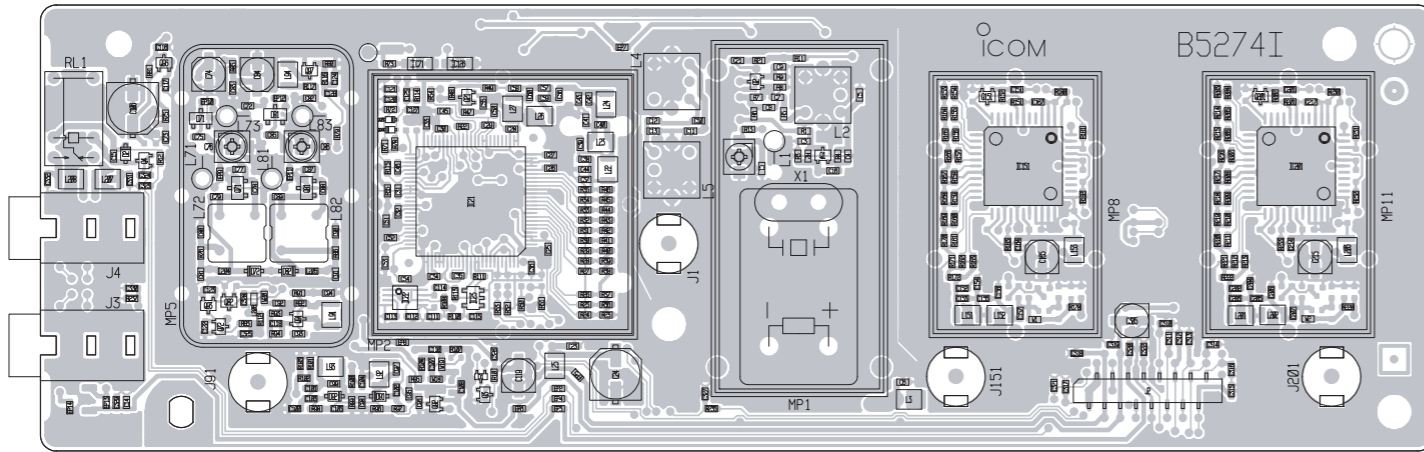
REF NO.	ORDER NO.	DESCRIPTION
IC101	1130013870	S.IC NJU6445FCI-#ZZZB
IC102	1130003831	S.IC TC7S04F(TE85R,F)
IC103	1130008511	S.IC TC7W53FU(TE12L,F)
Q11	1530002851	S.TRA 2SC4116-BL(TE85R,F)
Q21	1530002851	S.TRA 2SC4116-BL(TE85R,F)
Q31	1530002851	S.TRA 2SC4116-BL(TE85R,F)
Q41	1530002851	S.TRA 2SC4116-BL(TE85R,F)
Q51	1530002851	S.TRA 2SC4116-BL(TE85R,F)
Q61	1530002851	S.TRA 2SC4116-BL(TE85R,F)
Q71	1530002851	S.TRA 2SC4116-BL(TE85R,F)
Q81	1530002851	S.TRA 2SC4116-BL(TE85R,F)
R11	7030000320	S.RES MCR10EZHZJ 330 (331)
R12	7030003360	S.RES ERJ3GEYJ 221 V (220)
R21	7030000320	S.RES MCR10EZHZJ 330 (331)
R22	7030003360	S.RES ERJ3GEYJ 221 V (220)
R31	7030000320	S.RES MCR10EZHZJ 330 (331)
R32	7030003360	S.RES ERJ3GEYJ 221 V (220)
R41	7030000320	S.RES MCR10EZHZJ 330 (331)
R42	7030003360	S.RES ERJ3GEYJ 221 V (220)
R51	7030000320	S.RES MCR10EZHZJ 330 (331)
R52	7030003360	S.RES ERJ3GEYJ 221 V (220)
R61	7030000320	S.RES MCR10EZHZJ 330 (331)
R62	7030003360	S.RES ERJ3GEYJ 221 V (220)
R71	7030000320	S.RES MCR10EZHZJ 330 (331)
R72	7030003360	S.RES ERJ3GEYJ 221 V (220)
R81	7030000320	S.RES MCR10EZHZJ 330 (331)
R82	7030003360	S.RES ERJ3GEYJ 221 V (220)
C101	4030008630	S.CER C1608 JF 1H 104Z-T
C103	4030008630	S.CER C1608 JF 1H 104Z-T
C104	4030008630	S.CER C1608 JF 1H 104Z-T
C105	4030008630	S.CER C1608 JF 1H 104Z-T
C106	4030008630	S.CER C1608 JF 1H 104Z-T
J101	6510019981	S.CON 52808-1671(1690)
DS11	5040002940	S.LED TLYU1002A(T02)
DS12	5040002940	S.LED TLYU1002A(T02)
DS13	5040002940	S.LED TLYU1002A(T02)
DS21	5040002940	S.LED TLYU1002A(T02)
DS22	5040002940	S.LED TLYU1002A(T02)
DS23	5040002940	S.LED TLYU1002A(T02)
DS31	5040002940	S.LED TLYU1002A(T02)
DS32	5040002940	S.LED TLYU1002A(T02)
DS33	5040002940	S.LED TLYU1002A(T02)
DS41	5040002940	S.LED TLYU1002A(T02)
DS42	5040002940	S.LED TLYU1002A(T02)
DS43	5040002940	S.LED TLYU1002A(T02)
DS51	5040002940	S.LED TLYU1002A(T02)
DS52	5040002940	S.LED TLYU1002A(T02)
DS53	5040002940	S.LED TLYU1002A(T02)
DS61	5040002940	S.LED TLYU1002A(T02)
DS62	5040002940	S.LED TLYU1002A(T02)
DS63	5040002940	S.LED TLYU1002A(T02)
DS71	5040002940	S.LED TLYU1002A(T02)
DS72	5040002940	S.LED TLYU1002A(T02)
DS73	5040002940	S.LED TLYU1002A(T02)
DS81	5040002940	S.LED TLYU1002A(T02)
DS82	5040002940	S.LED TLYU1002A(T02)
DS83	5040002940	S.LED TLYU1002A(T02)
DS101	5030001690	LCD HLC7395-012400
EP2	8930049631	LCD SRCN-2240-SP-N-W-1 (SHJ)

S.=Surface mount

BOARD LAYOUTS

The combination of this side and the bottom side shows the board layout in the same configuration as the actual P.C.Board.

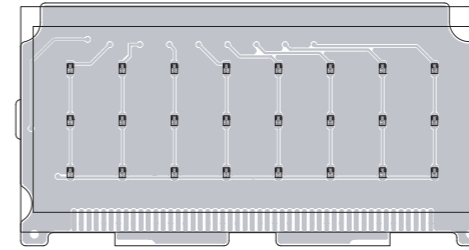
• PLL UNIT (TOP VIEW)



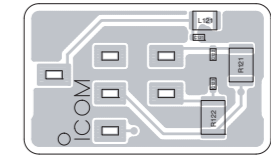
16	15V	AV	16
15	GND	AV	15
14	AV	AV	14
13	AV	AV	13
12	RECS	UNILC	12
11	GND	PS13	11
10	PS12	PS11	10
9	PDAT	DRES	9
8	15V	AV	8
7	15V	AV	7
6	15V	AV	6
5	15V	AV	5
4	15V	AV	4
3	15V	AV	3
2	15V	AV	2
1	15V	AV	1

J2 to MAIN unit J1501

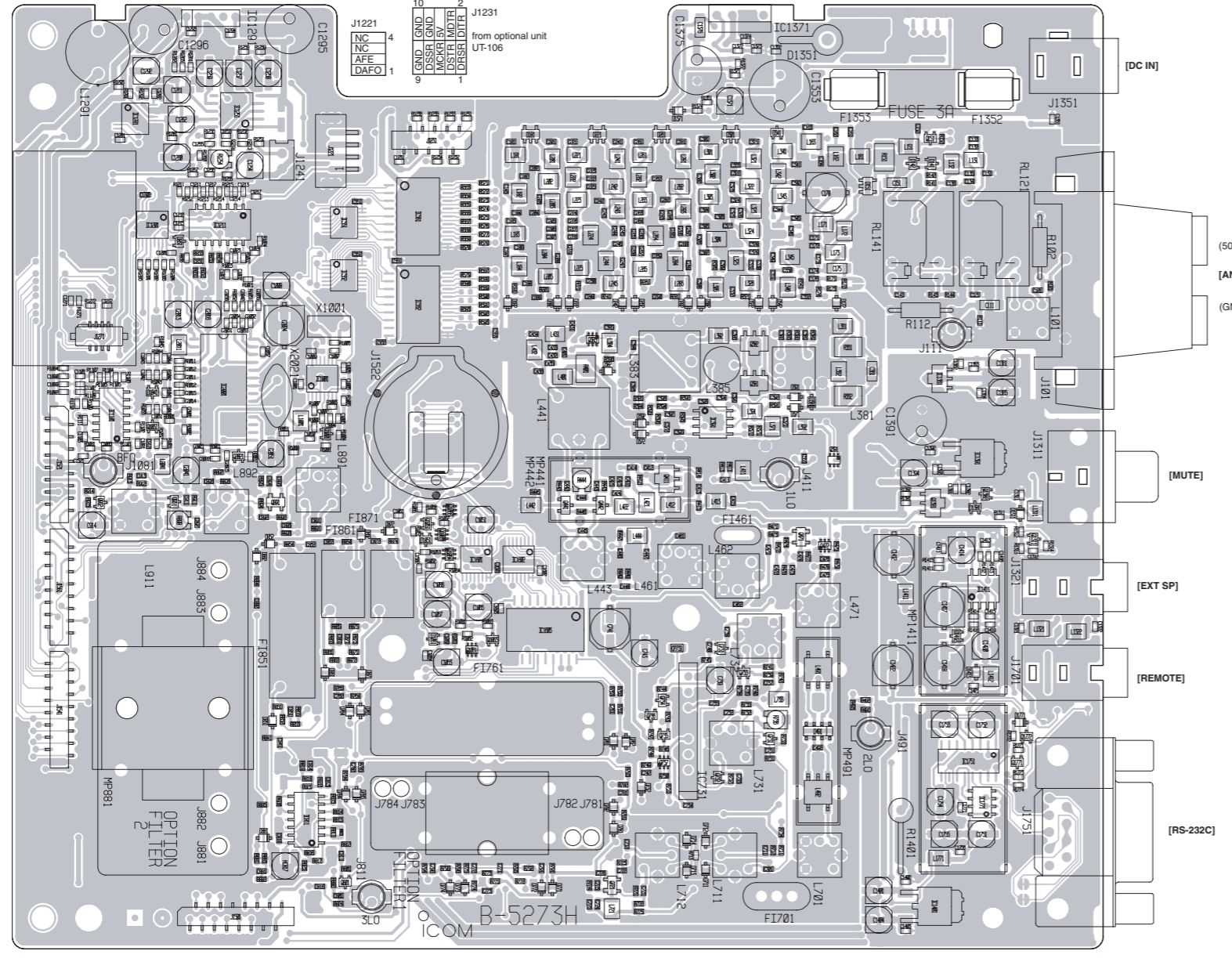
• DISPLAY BOARD (TOP VIEW)



• PHONE BOARD (TOP VIEW)



• MAIN UNIT (TOP VIEW)



16	15V	AV	16
15	GND	AV	15
14	AV	AV	14
13	AV	AV	13
12	RECS	UNILC	12
11	GND	PS13	11
10	PS12	PS11	10
9	PDAT	DRES	9
8	15V	AV	8
7	15V	AV	7
6	15V	AV	6
5	15V	AV	5
4	15V	AV	4
3	15V	AV	3
2	15V	AV	2
1	15V	AV	1

J1221
1 GND 4
2 AV 4
3 AV 4
4 AV 4
5 AV 4
6 AV 4
7 AV 4
8 AV 4
9 GND 4
10 GND 4
11 GND 4
12 GND 4
13 GND 4
14 GND 4
15 GND 4
16 GND 4

J1231
1 GND 4
2 GND 4
3 GND 4
4 GND 4
5 GND 4
6 GND 4
7 GND 4
8 GND 4
9 GND 4
10 GND 4
11 GND 4
12 GND 4
13 GND 4
14 GND 4
15 GND 4
16 GND 4

J1521
1 AFV 2
2 AFV 2
3 ESPO 2
4 ESPO 2
5 ISPO 2
6 ISPO 2
7 5V 2
8 GND 2
9 8V 2
10 HVR 2
11 14V 2
12 H5V 2
13 BATT 2
14 15V 2
15 15V 2
16 15V 2

J1561
1 RFV 2
2 FMNL 2
3 EMTI 2
4 SALL 2
5 BEEP 2
6 RECS 2
7 SOLS 2
8 AGRS 2
9 RXS 2
10 SBSY 2
11 SPST 2
12 GND 2
13 CIV 2
14 CIV 2
15 CIV 2
16 CIV 2

J1541
1 PWRC 2
2 DSPS 2
3 DINT 2
4 DSTB 2
5 PSTB 2
6 ISTB 2
7 ASTB 2
8 MDAT 2
9 MCK 2
10 DRES 2
11 PDAT 2
12 PCK 2
13 PCO2 2
14 PST1 2
15 PST2 2
16 PST3 2

J1501
1 DRES 2
2 PDAT 2
3 PCK 2
4 PCO2 2
5 PST1 2
6 PST2 2
7 PST3 2
8 GND 2
9 RECS 2
10 UNILC 2
11 AV 2
12 8V 2
13 14V 2
14 15V 2
15 15V 2
16 15V 2

J1271
1 MDAT 2
2 SPST 2
3 BUSY 2
4 MCK 2
5 5V 2
6 GND 2
7 GND 2
8 SPCH 2

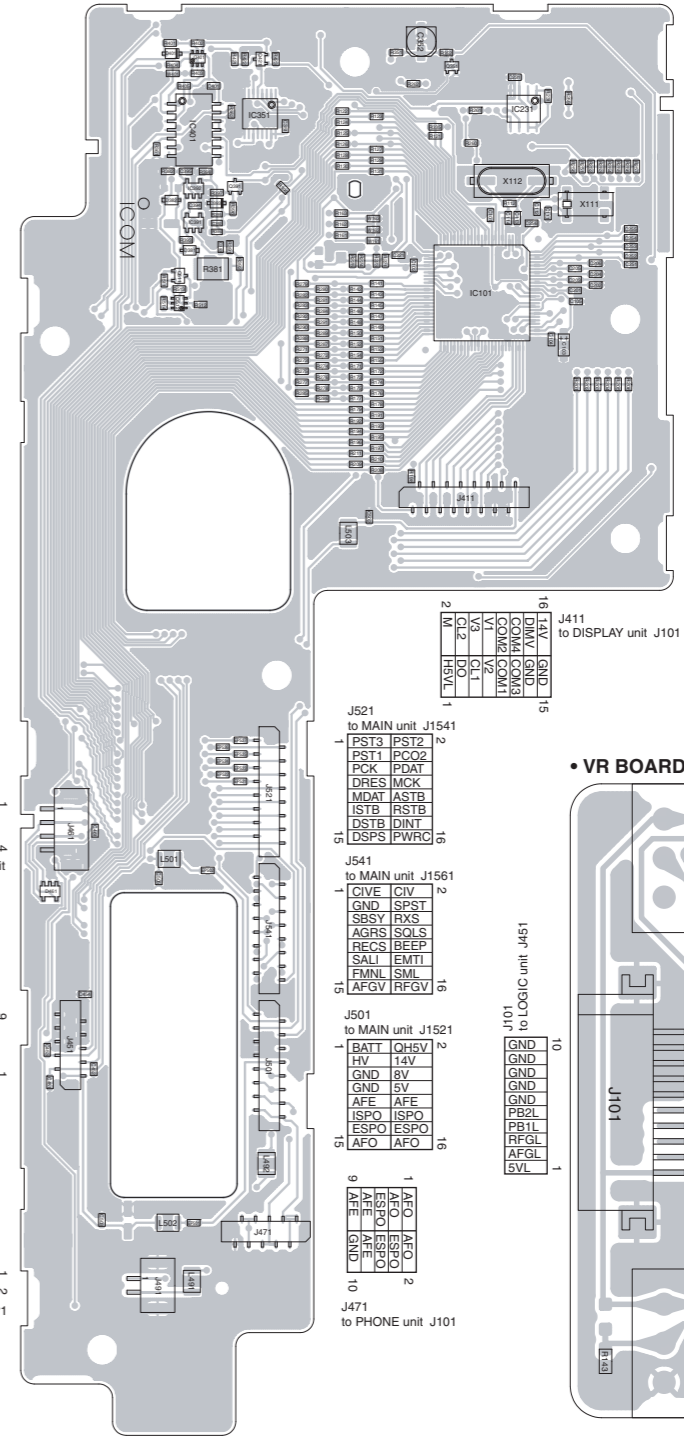
J1522
1 AFV 2
2 AFV 2
3 ESPO 2
4 ESPO 2
5 ISPO 2
6 ISPO 2
7 5V 2
8 GND 2
9 8V 2
10 HVR 2
11 14V 2
12 H5V 2
13 BATT 2
14 15V 2
15 15V 2
16 15V 2

J1562
1 RFV 2
2 FMNL 2
3 EMTI 2
4 SALL 2
5 BEEP 2
6 RECS 2
7 SOLS 2
8 AGRS 2
9 RXS 2
10 SBSY 2
11 SPST 2
12 GND 2
13 CIV 2
14 CIV 2
15 CIV 2
16 CIV 2

J1542
1 PWRC 2
2 DSPS 2
3 DINT 2
4 DSTB 2
5 PSTB 2
6 ISTB 2
7 ASTB 2
8 MDAT 2
9 MCK 2
10 DRES 2
11 PDAT 2
12 PCK 2
13 PCO2 2
14 PST1 2
15 PST2 2
16 PST3 2

J1502
1 DRES 2
2 PDAT 2
3 PCK 2
4 PCO2 2
5 PST1 2
6 PST2 2
7 PST3 2
8 GND 2
9 RECS 2
10 UNILC 2
11 AV 2
12 8V 2
13 14V 2
14 15V 2
15 15V 2
16 15V 2

• LOGIC BOARD (TOP VIEW)



16	15V	AV	16
15	GND	AV	15
14	AV	AV	14
13	AV	AV	13
12	RECS	UNILC	12
11	GND	PS13	11
10	PS12	PS11	10
9	PDAT	DRES	9
8	15V	AV	8
7	15V	AV	7
6	15V	AV	6
5	15V	AV	5
4	15V	AV	4
3	15V	AV	3
2	15V	AV	2
1	15V	AV	1

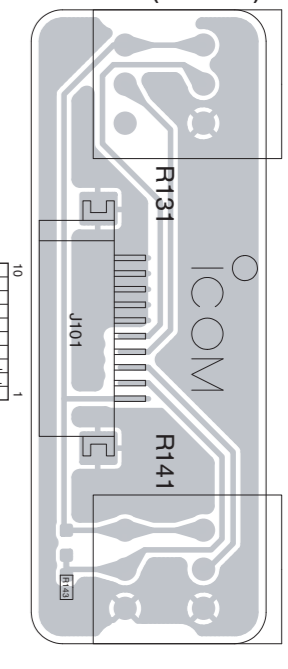
J461 to MAIN DIAL unit

1	SVL	1
2	MUP	2
3	MDN	3
4	GND	4

J491 to INT SP unit P1

1	ISPO	1
2	AFV	2

• VR BOARD (TOP VIEW)



16	15V	AV	16
15	GND	AV	15
14	AV	AV	14
13	AV	AV	13
12	RECS	UNILC	12
11	GND	PS13	11
10	PS12	PS11	10
9	PDAT	DRES	9
8	15V	AV	8
7	15V	AV	7
6	15V	AV	6
5	15V	AV	5
4	15V	AV	4
3	15V	AV	3
2	15V	AV	2
1	15V	AV	1

J451 to VR unit J101

1	GND	1
2	GND	2
3	GND	3
4	GND	4
5	GND	5
6	GND	6
7	GND	7
8	GND	8
9	GND	9
10	GND	10

J491 to INT SP unit P1

1	AFV	1
2	AFV	2
3	ESPO	3
4	ESPO	4
5	GND	5
6	GND	6
7	GND	7
8	GND	8
9	GND	9
10	GND	10

J471 to PHONE unit J101

16	15V	AV	16
15	GND	AV	15
14	AV	AV	14
13	AV	AV	13
12	RECS	UNILC	12
11	GND	PS13	11
10	PS12	PS11	10
9	PDAT	DRES	9
8	15V	AV	8
7	15V	AV	7
6	15V	AV	6
5	15V	AV	5
4	15V	AV	4
3	15V	AV	3
2	15V	AV	2
1	15V	AV	1

J451 to MAIN unit J1541

1	PST3	1
2	PST2	2
3	PCO2	3
4	PCK	4
5	PDAT	5
6	DRES	6
7	MCK	7
8	MDAT	8
9	ASTB	9
10	ISTB	10
11	RSTB	11
12	DINT	12
13	DSPS	13
14	PWRC	14
15	GND	15
16	GND	16

J451 to MAIN unit J1561

1	CIVE	1
2	CIV	2
3	SPST	3
4	SBSY	4
5	RXS	5
6	AGRS	6
7	SOLS	7
8	RECS	8
9	BEEP	9
10	SALL	10
11	EMTI	11
12	FMNL	12
13	SML	13
14	AFV	14
15	RFV	15
16	GND	16

J451 to MAIN unit J1542

1	GND	1
2	GND	2
3	GND	3
4	GND	4
5	GND	5
6	GND	6
7	GND	7
8	GND	8
9	GND	9
10	GND	10

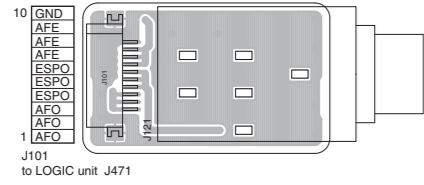
J451 to MAIN unit J1562

1	AFV	1
2	AFV	2
3	ESPO	3
4	ESPO	4
5	GND	5
6	GND	6
7	GND	7
8	GND	8
9	GND	9
10	GND	10

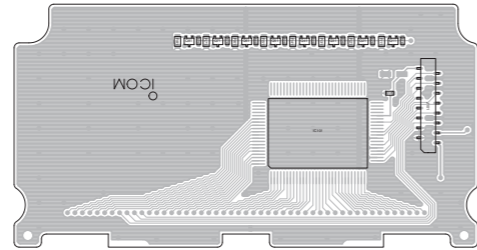
J471 to PHONE unit J101

The combination of this side and the bottom side shows the board layout in the same configuration as the actual P.C.Board.

• PHONE BOARD (BOTTOM VIEW)

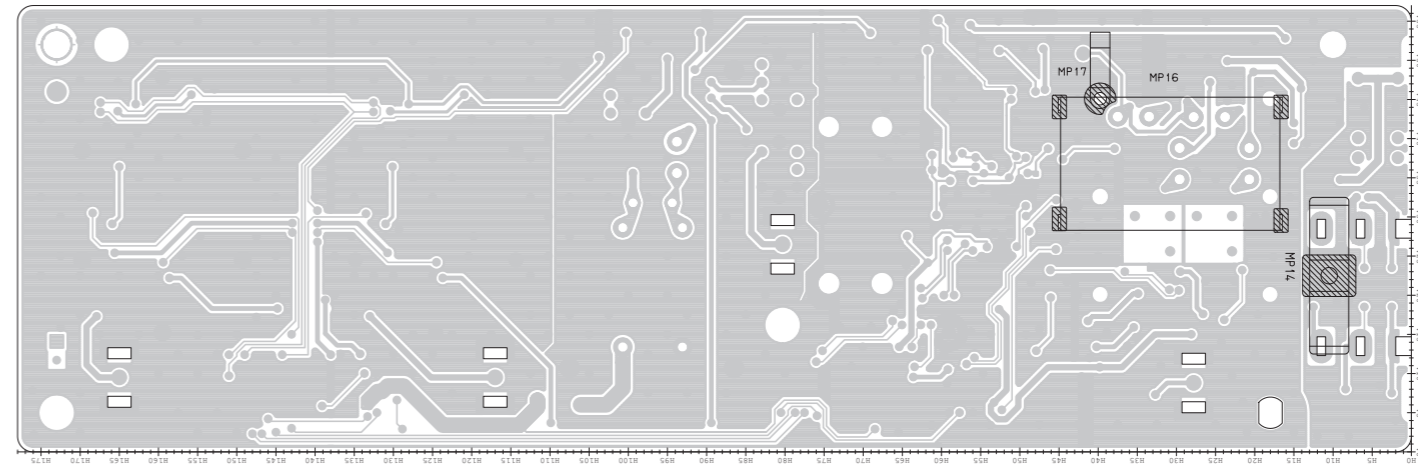


• DISPLAY BOARD (BOTTOM VIEW)

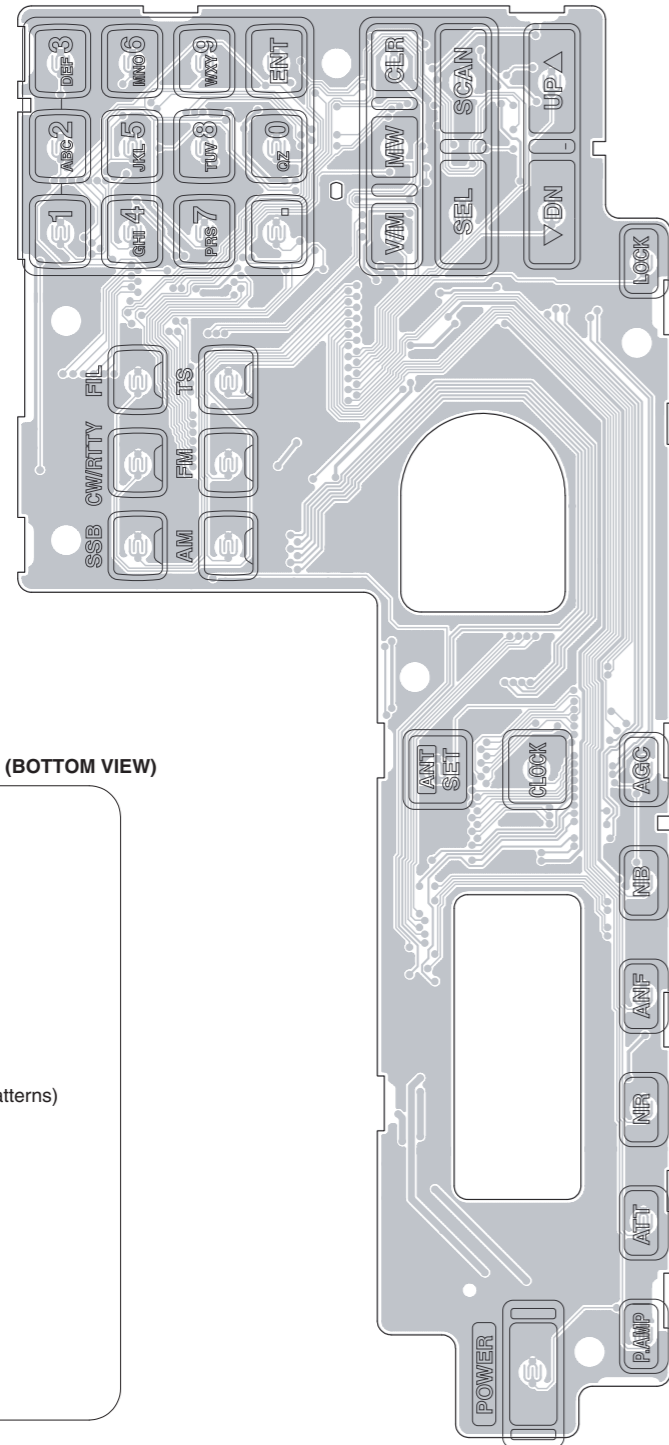


16	14V	GND	15
	DIMV	GND	
	COM4	COM3	
	COM2	COM1	
	V1	V2	
	V3	CL1	
	CL2	DO	
2	M	H5VL	1

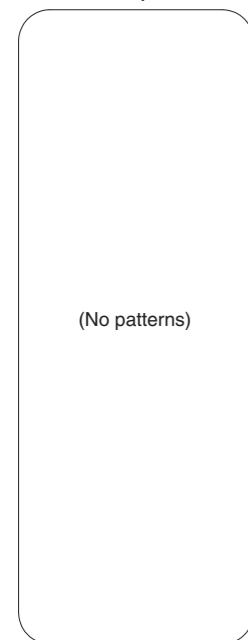
• PLL UNIT (BOTTOM VIEW)



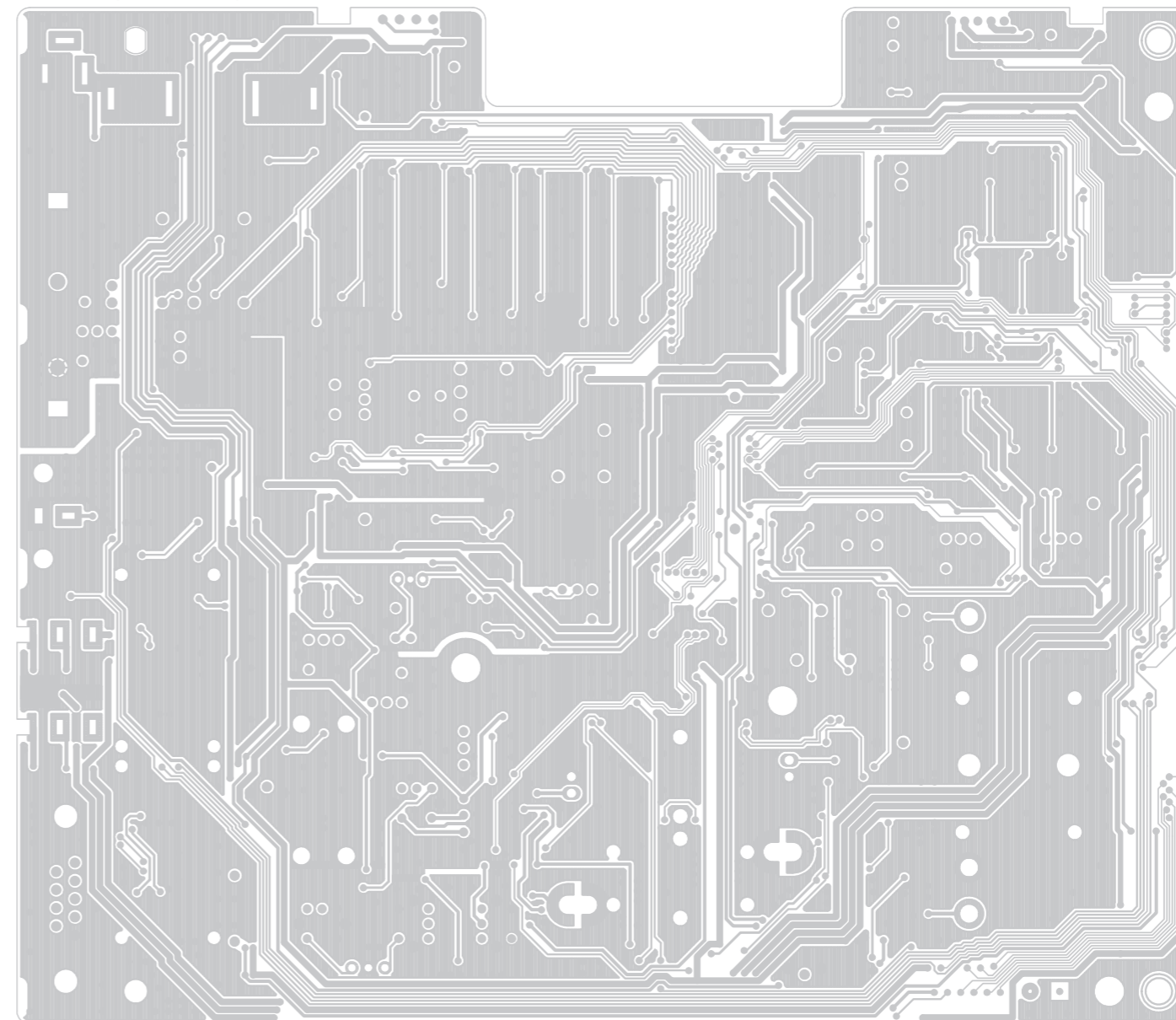
• LOGIC BOARD (BOTTOM VIEW)



• VR BOARD (BOTTOM VIEW)

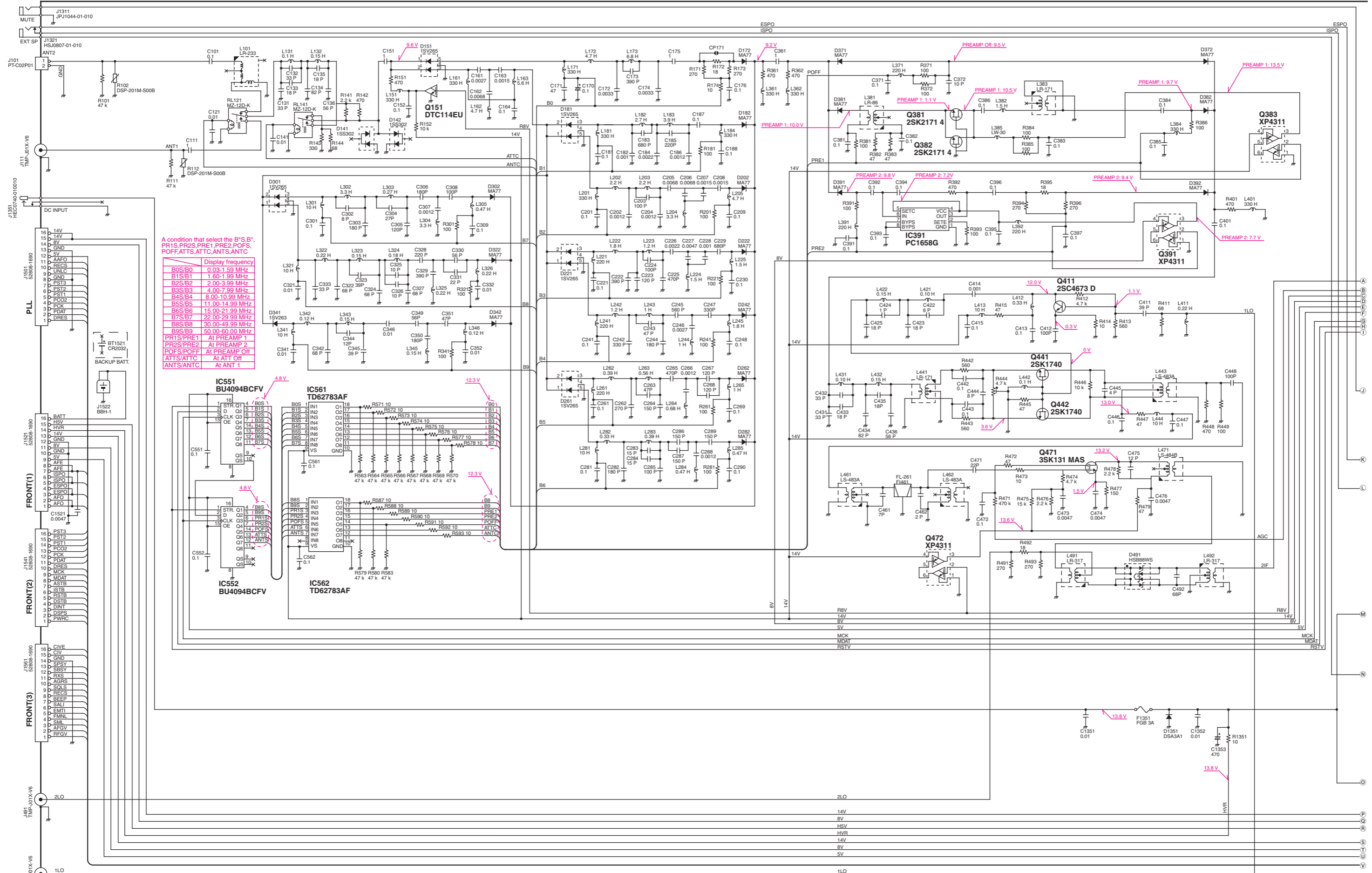


• MAIN UNIT (BOTTOM VIEW)



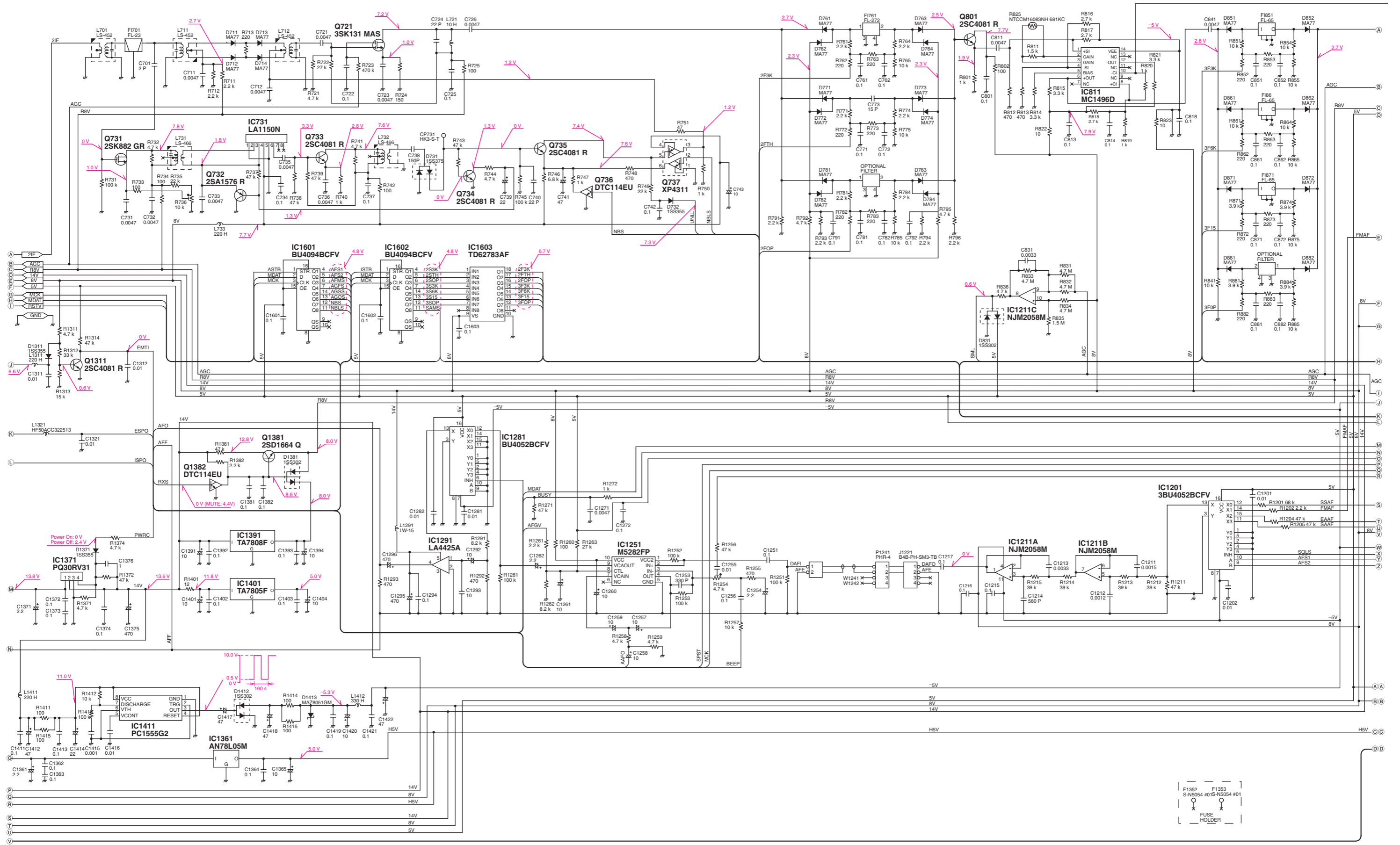
VOLTAGE DIAGRAM

MAIN UNIT



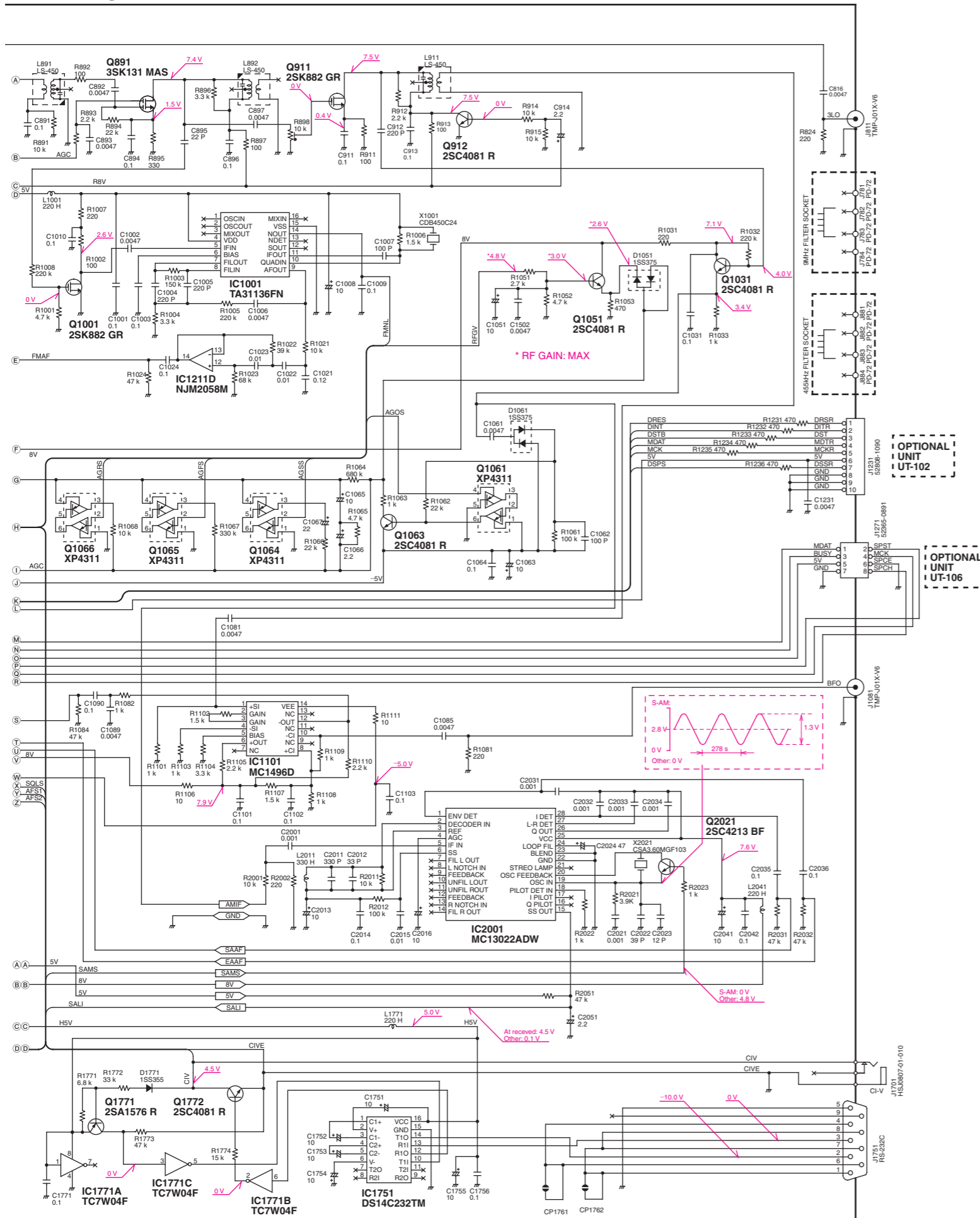
*; Refer to "PARTS LIST."

MAIN UNIT

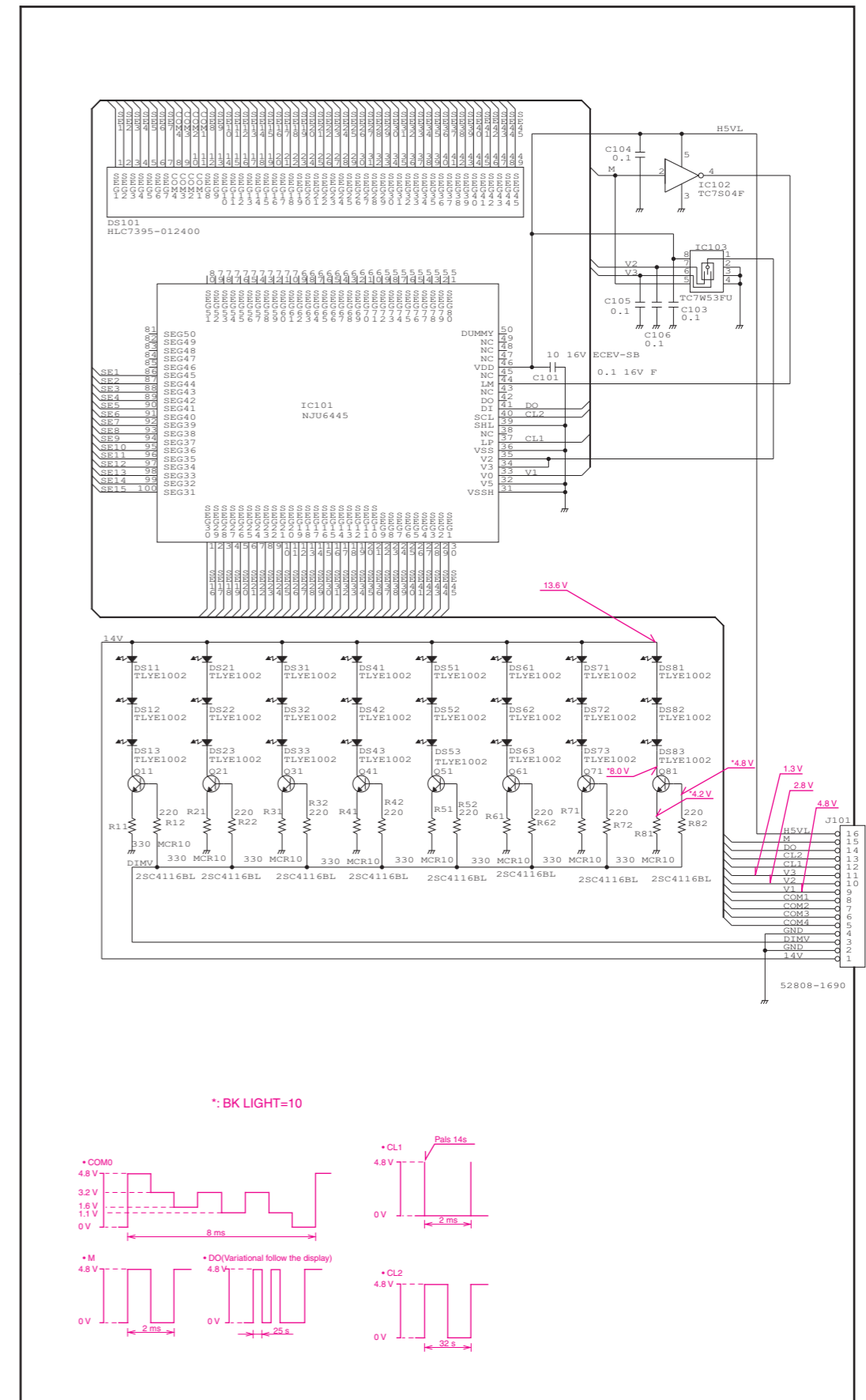


*; Refer to "PARTS LIST"

MAIN UNIT



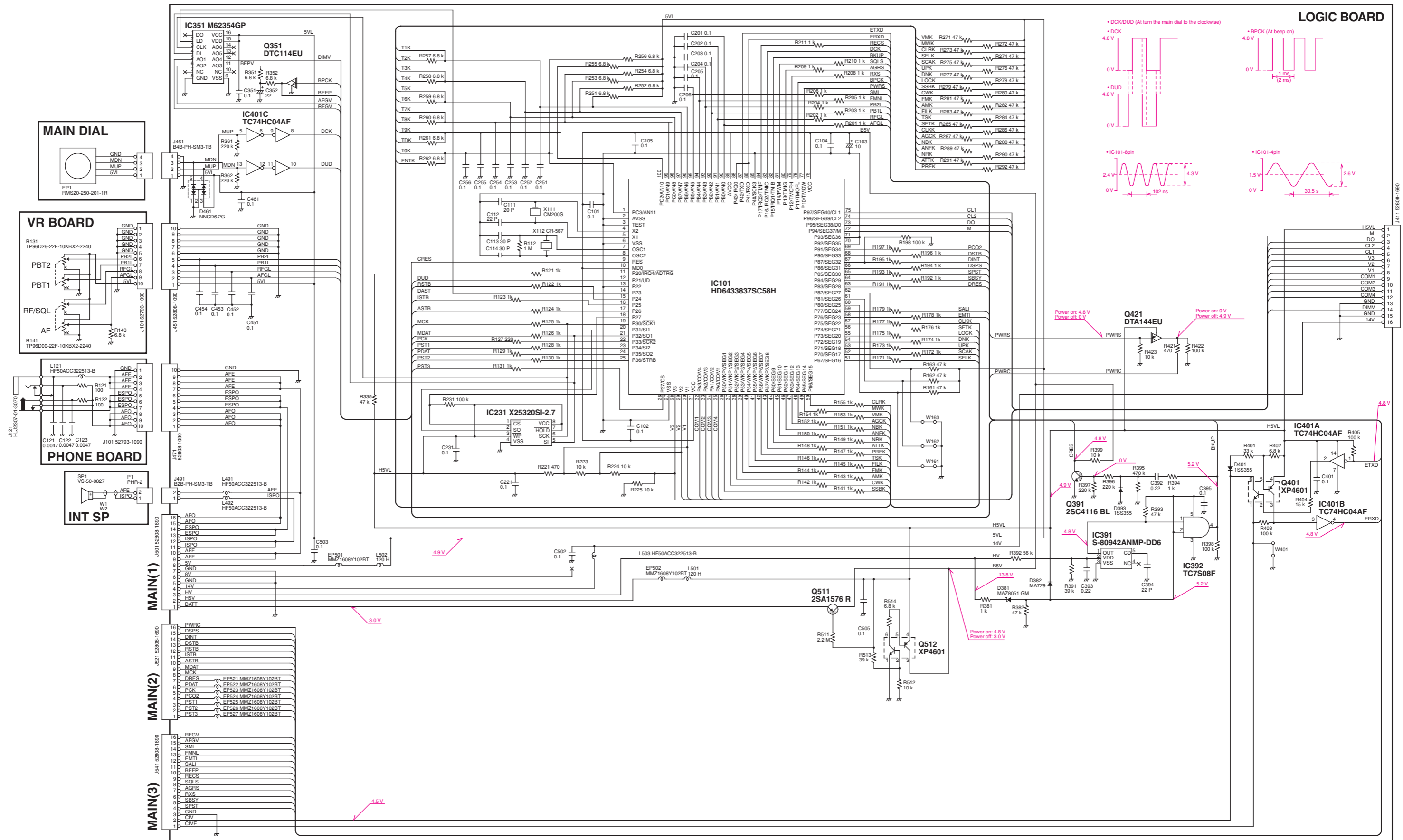
DISPLAY BOARD



To LOGIC BOARD "J411"

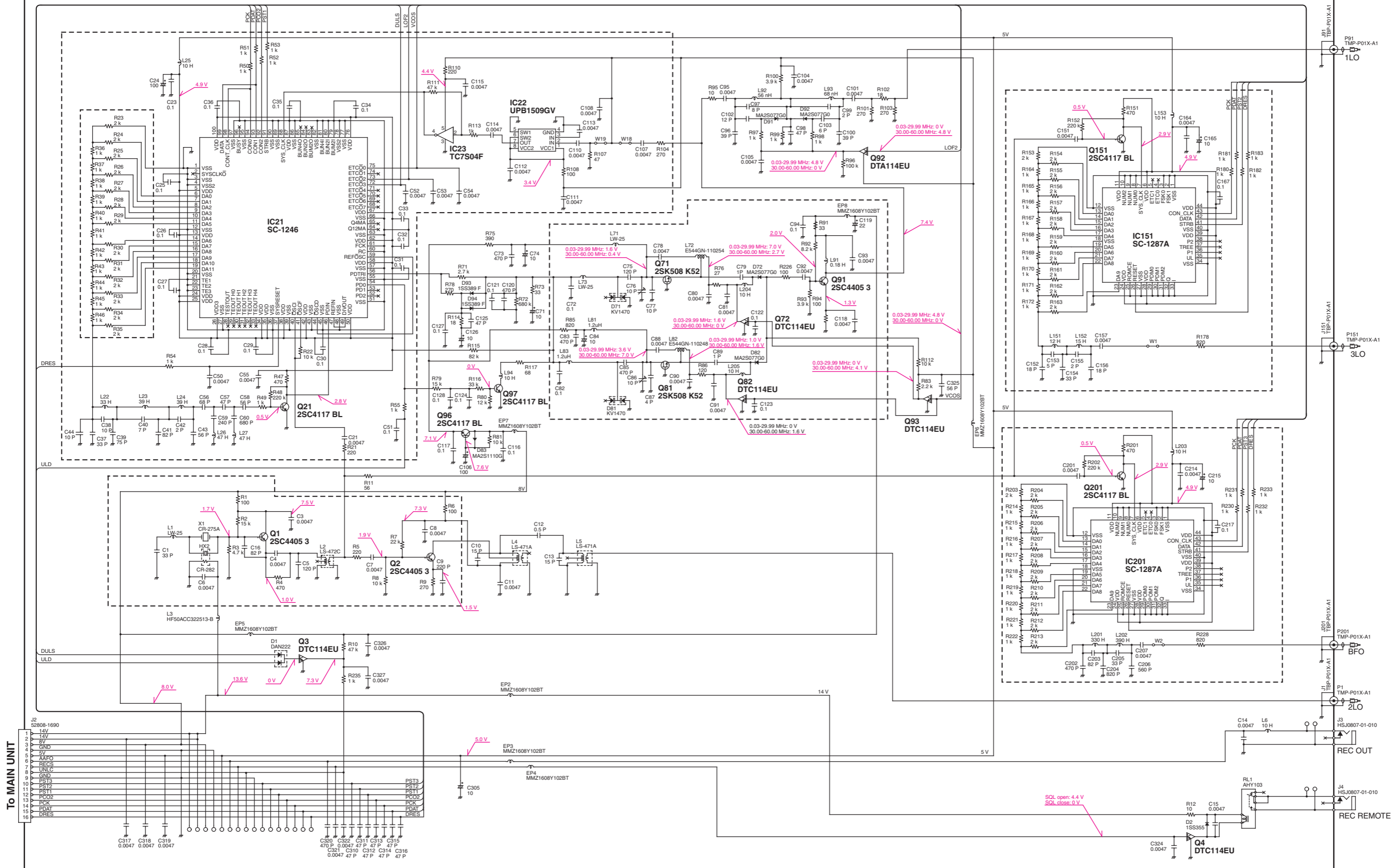
*; Refer to "PARTS LIST."

FRONT UNIT



*; Refer to "PARTS LIST."

PLL UNIT



*; Refer to "PARTS LIST."



SERVICE MANUAL

COMMUNICATIONS RECEIVER

IC-R75

S-14329XZ-C1
Mar. 2007

Icom Inc.

INTRODUCTION

This service manual describes the latest service information for the **IC-R75 COMMUNICATIONS RECEIVER** at the time of publication.

MODEL	VERSION	SYMBOL	FREQUENCY RANGE
IC-R75	U.S.A.	USA	0.03–60.0 MHz
		USA-1	
	Europe	EUR	
	U.K.	UK	
	Australia	AUS	
	Denmark	DEN	0.03–29.9 MHz 50–52 MHz
	South East Asia	SEA	0.03–29.9 MHz
	China	CHN	0.03–60.0 MHz
Others	OTH		
	OTH-1		

To upgrade quality, any electrical or mechanical parts and internal circuits are subject to change without notice or obligation.

CAUTION

NEVER connect the receiver to an AC outlet or to a DC power supply that uses more than specified. This will ruin the receiver.

DO NOT apply an RF signal of more than 20 dBm (100 mW) to the antenna connector. This could damage the receiver's front end.



ORDERING PARTS

Be sure to include the following four points when ordering replacement parts:

1. 10-digit order numbers
2. Component part number and name
3. Equipment model name and unit name
4. Quantity required

<SAMPLE ORDER>

1110003491	S.IC	TA31136FNG	IC-R75	MAIN UNIT	5 pieces
8820001210	Screw	2438 screw	IC-R75	Top cover	10 pieces

Addresses are provided on the inside back cover for your convenience.

REPAIR NOTES

1. Make sure a problem is internal before disassembling the receiver.
2. **DO NOT** open the receiver until the receiver is disconnected from its power source.
3. **DO NOT** force any of the variable components. Turn them slowly and smoothly.
4. **DO NOT** short any circuits or electronic parts. An insulated tuning tool **MUST** be used for all adjustments.
5. **DO NOT** keep power ON for a long time when the receiver is defective.
6. **READ** the instructions of test equipment thoroughly before connecting equipment to the receiver.

CONTENTS

SECTION 1 SPECIFICATIONS

SECTION 2 INSIDE VIEWS

SECTION 3 CIRCUIT DESCRIPTION

3-1	RECEIVER CIRCUITS3-1
3-2	PLL CIRCUITS3-4
3-3	LOGIC CIRCUITS3-5
3-4	POWER SUPPLY CIRCUITS3-6
3-5	PORT ALLOCATIONS3-7

SECTION 4 ADJUSTMENT PROCEDURE

4-1	PREPARATION4-1
4-2	PLL ADJUSTMENT4-2
4-3	RECEIVER ADJUSTMENT4-4
4-4	ADJUSTMENT MODE4-7

SECTION 5 PARTS LIST

SECTION 6 MECHANICAL PARTS

SECTION 7 SEMICONDUCTOR INFORMATION

SECTION 8 BOARD LAYOUTS

8-1	IC-R758-1
8-2	UT-106 (Optional product; an accessory for [USA] and [USA-1])8-2

SECTION 9 BLOCK DIAGRAM

SECTION 10 VOLTAGE DIAGRAM

10-1	MAIN UNIT10-1
10-2	DISPLAY BOARD10-3
10-3	FRONT UNIT10-4
10-4	PLL UNIT10-5
10-5	UT-106 (Optional product; an accessory for [USA] and [USA-1])10-5

SECTION 1

SPECIFICATIONS

• Frequency range

Version	Frequency coverage
[USA], [EUR], [UK], [AUS], [OTH], [CHN], [USA-1], [OTH-1]	30 kHz – 60 MHz*
[SEA]	30 kHz – 29.999999 MHz
[DEN]	30 kHz – 29.999999 MHz 50 MHz – 52 MHz

*Specifications guaranteed for 0.1 – 29.99 MHz and 50 – 54 MHz

• Mode

: SSB (LSB, USB), AM, FM, CW, RTTY, S-AM[†]

• Receive system

: Triple-conversion superheterodyne

• Intermediate frequencies

	SSB	CW	RTTY	AM, S-AM [†]	FM
1st (MHz)	69.0115	69.0106	69.0105	69.0100	69.0115
2nd (MHz)	9.0115	9.0106	9.0105	9.0100	9.0115
3rd (MHz)	0.4550	0.4559	0.4560	0.4500	0.4500

(May differ according to selected IF filter.)

• Sensitivity

: 0.1 MHz – 1.799 MHz (Preamplifiers are OFF)

SSB, CW, RTTY Less than 2.0 μV for 10 dB S/N
AM, S-AM[†] Less than 13.0 μV for 10 dB S/N

1.8 MHz – 27.99 MHz (The preamplifier 1 is ON)

SSB, CW, RTTY Less than 0.16 μV for 10 dB S/N (typical)
AM, S-AM[†] Less than 2.0 μV for 10 dB S/N

28 MHz – 29.99 MHz (The preamplifier 1 is ON)

SSB, CW, RTTY Less than 0.16 μV for 10 dB S/N (typical)
AM, S-AM[†] Less than 2.0 μV for 10 dB S/N
FM Less than 0.5 μV for 12 dB SINAD

50 MHz – 54 MHz (The preamplifier 2 is ON)

SSB, CW, RTTY Less than 0.13 μV for 10 dB S/N (typical)
AM, S-AM[†] Less than 1.0 μV for 10 dB S/N
FM Less than 0.25 μV for 12 dB SINAD

• Selectivity

: SSB, CW, RTTY More than 2.1 kHz/–6 dB
Less than 4.0 kHz/–60 dB

AM, S-AM[†] More than 6.0 kHz/–6 dB
Less than 20.0 kHz/–50 dB

FM More than 12.0 kHz/–6 dB
Less than 30.0 kHz/–40 dB

• Audio output power

: More than 2.0 W at 10% distortion with an 8 Ω load

• Antenna impedance

: 50 Ω or 500 Ω

• Power supply

: 13.8 V DC ±15% (Negative ground)

• Current drain (13.8 V DC)

: Less than 1.3 A (Stand-by), Less than 1.5 A (Max. audio)

• Spurious and image rejection

: More than 70 dB (except IF through in 50 MHz band)

• Dimensions

: 241(W)×94(H)×229(D) mm; 9½(W)×3½(H)×9½(D) inch (projection not included)

• Weight (approximate)

: 3.0 kg; 6 lb 10 oz (AC adaptor “AD-55/A/V” is not included)

• Antenna connector

: SO-239 (50 Ω), push connection terminal (500 Ω)

• CI-V connector

: 2-conductor 3.5 (d) mm (1/8")/8 Ω

• PHONES connector

: 3-conductor 6.35 (d) mm (1/4")

• External speaker connector

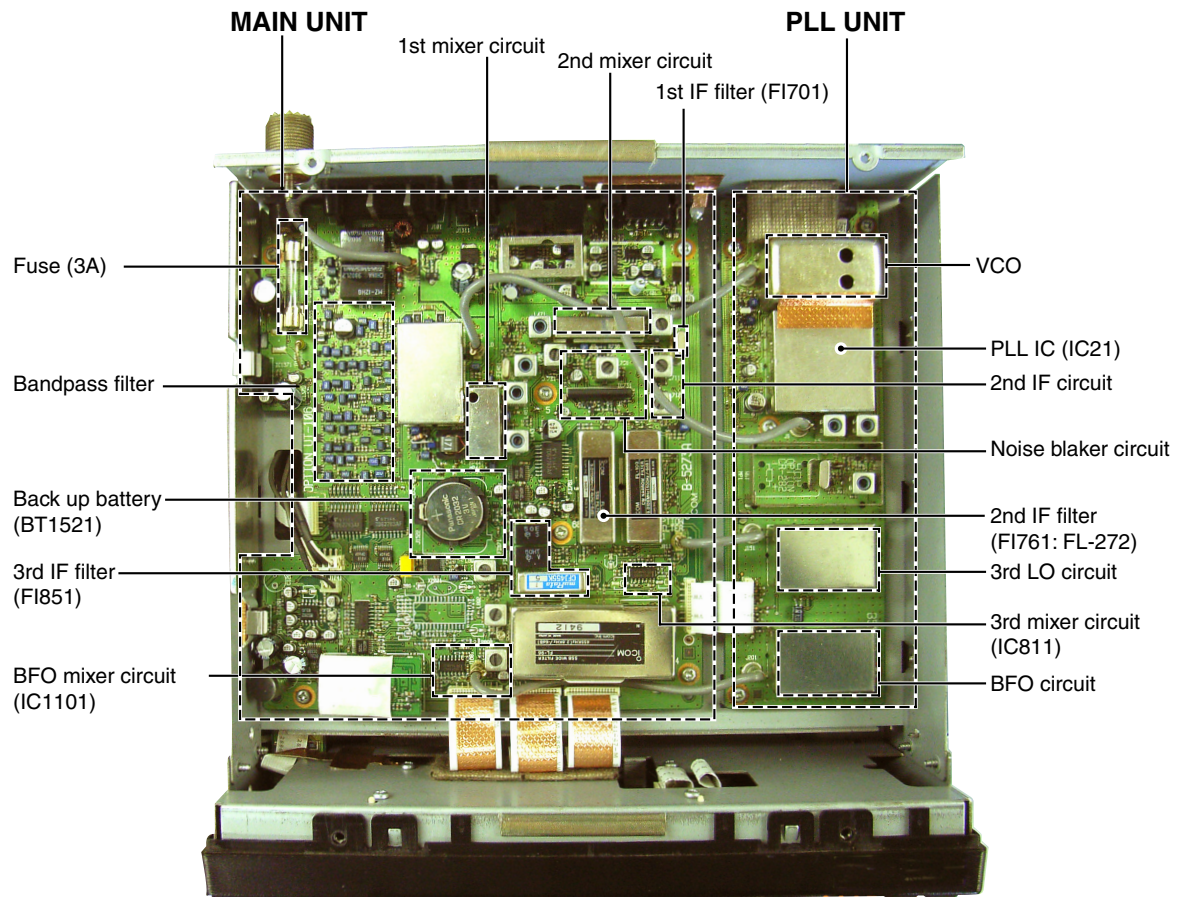
: 2-conductor 3.5 (d) mm (1/8")/8 Ω

All stated specifications are subject to change without notice or obligation.

[†]: Except [USA-1], [OTH-1], [CHN]

SECTION 2

INSIDE VIEW



3-1 RECEIVER CIRCUITS

3-1-1 RF SWITCHING CIRCUIT (MAIN UNIT)

The IC-R75 has two antenna connectors. RF signals enter either the [50 Ω ANT.] or [500 Ω ANT.] connector.

RF signals from the [50 Ω ANT.] connector are applied to the antenna switching circuit (RL121), and then pass through the low-pass filter (L131, L132, C131–C136).

RF signals from the [500 Ω ANT.] connector are passed through the L101 to exchange the impedance value, and are then applied to the antenna switching circuit (RL121). The signals are applied to the low-pass filter (L131, L132, C131–C136).

Each RF signals from the [50 Ω ANT.] connector or [500 Ω ANT.] connector are chosen by the antenna switching circuit (RL121).

3-1-2 RF FILTER CIRCUIT (MAIN UNIT)

The filtered signals are applied to the RX attenuator switching circuit (RL141). Either the signals bypass or pass through the attenuator circuit. The signals are attenuated at 20 dB when passing through the attenuators. The attenuator system excludes non-linear components between an antenna connector and an attenuator to prevent strong signals from causing distortion. The signals are then applied to the RF filters. The MAIN UNIT has 8 RF bandpass filters for signals above 2.0 MHz and 2 low-pass filters for signals below 2.0 MHz.

(1) Below 1.6 MHz

The signals are applied to the low-pass filter consisting of C170–C175, L171–L173 via the limiter circuit (D141, D142). A diode is removed at the entrance of the low-pass filter. This device prevents the diode from causing distortion when receiving very strong signals. A switching diode (D172) is turned on when the “B0” line is “HIGH”.

(2) Above 1.6 MHz

The signals are applied to the high-pass filter consisting of C161–C163, L161–L164. This filter suppresses strong signals below 1.6 MHz such as broadcasting stations.

The filtered signal between 1.6 MHz and 2.0 MHz are applied to the low-pass filter (C182–C187, L182, L183) via the switching diode (D181). The switching diodes (D181, D182) are turned ON when the “B1” line is “HIGH”.

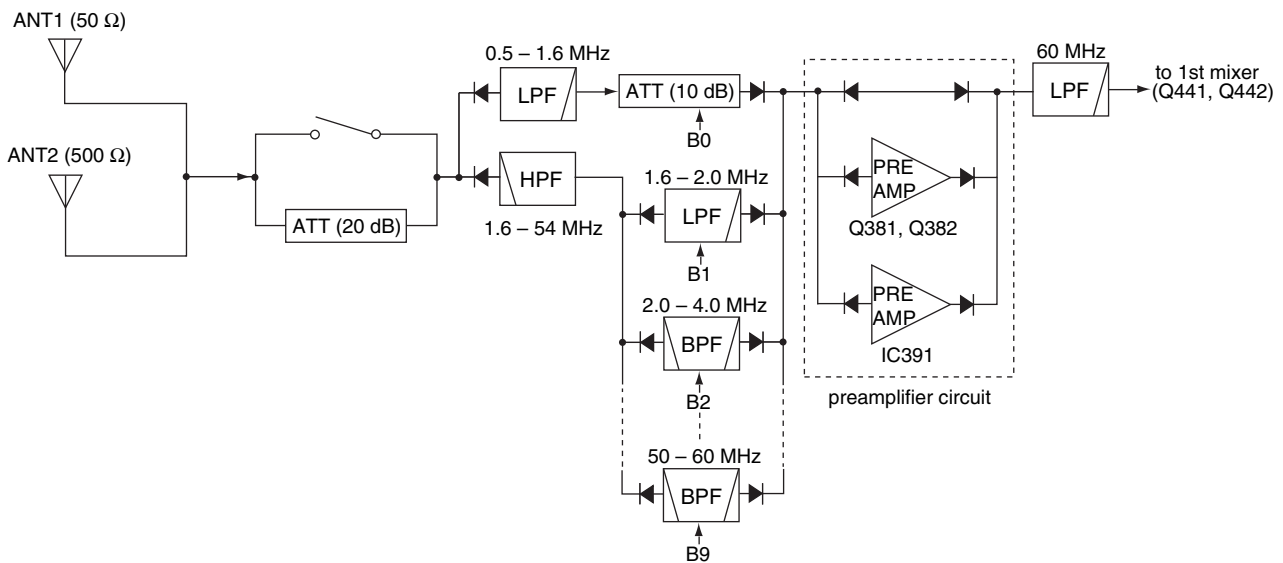
The filtered signals above 2.0 MHz are applied to one of 8 bandpass filters depending on the receive frequencies.

After passing through a bandpass or low-pass filter, the signals are applied to the pre-amplifier circuit (Q381, Q382, IC391).

(3) FILTER SWITCHING CIRCUIT

The RF bandpass filter corresponds to the BPF switching voltage (B0–B9) based on the CPU via the shift register (IC551, IC552) and driver (IC561, IC562). The switching voltage of the BPF exit to improve multi-signal and strong signal characteristics.

• RF bandpass and preamplifier circuit



3-1-3 PRE-AMPLIFIER CIRCUIT (MAIN UNIT)

The pre-amplifier circuit uses low noise junction FETs (Q381, Q382) or wideband amplifier (IC391) to provide gain over a wide frequency range.

When the [P.AMP] switch is turned "PREAMP 1", the signals from the RF filter are amplified by the junction FETs pre-amplifier circuit (Q381, Q382).

When the [P.AMP] switch is turned "PREAMP 2", the signals from the RF filter are amplified by the wideband pre-amplifier circuit (IC391).

When the [P.AMP] switch is turned "PREAMP OFF", the signals from the RF filter bypass the pre-amplifiers through D371 and D372.

The amplified or bypassed signals are applied to the 1st mixer circuit (Q441, Q442) via the low-pass filter (L431, L432 and C431-CC436). The low-pass filter attenuates at 50 MHz to suppress image frequency.

3-1-4 1ST MIXER AND IF CIRCUITS (MAIN UNIT)

The filtered signals are mixed with a 69.0415-129.0115 MHz 1st LO signal to produce a 69.01 MHz 1st IF signal at the 1st mixer circuit (Q441, Q442).

1ST IF FREQUENCY

MODE	FREQUENCY
LSB, USB, FM	69.0115 MHz
CW	69.0106 MHz
RTTY	69.0105 MHz
AM, S-AM	69.0100 MHz

The 1st mixer circuit employs a balanced mixer using low-noise junction FETs (Q441, Q442) to expand the dynamic range.

The 69.0415-129.0115 MHz 1st LO signal is applied to an LO amplifier (Q411) from the PLL unit via J411, and then passes through the low-pass filter (L421, L422, C422-C425). The filtered signal is applied to the 1st mixer circuit.

The 1st IF signal is applied to the crystal bandpass filter (FI-461) to suppress out-of-band signals. The filtered signal is amplified at a 1st IF amplifier (Q471), and then applied to a 2nd mixer circuit (D491)

3-1-5 2ND MIXER AND IF CIRCUITS (MAIN UNIT)

The 1st IF signal is mixed with a 60.0 MHz 2nd LO signal to produce 9 MHz 2nd IF signal at the 2nd mixer (D491, C492, L491, L492). The 60.0 MHz 2nd LO signal is applied to the 2nd mixer from the PLL unit via J491.

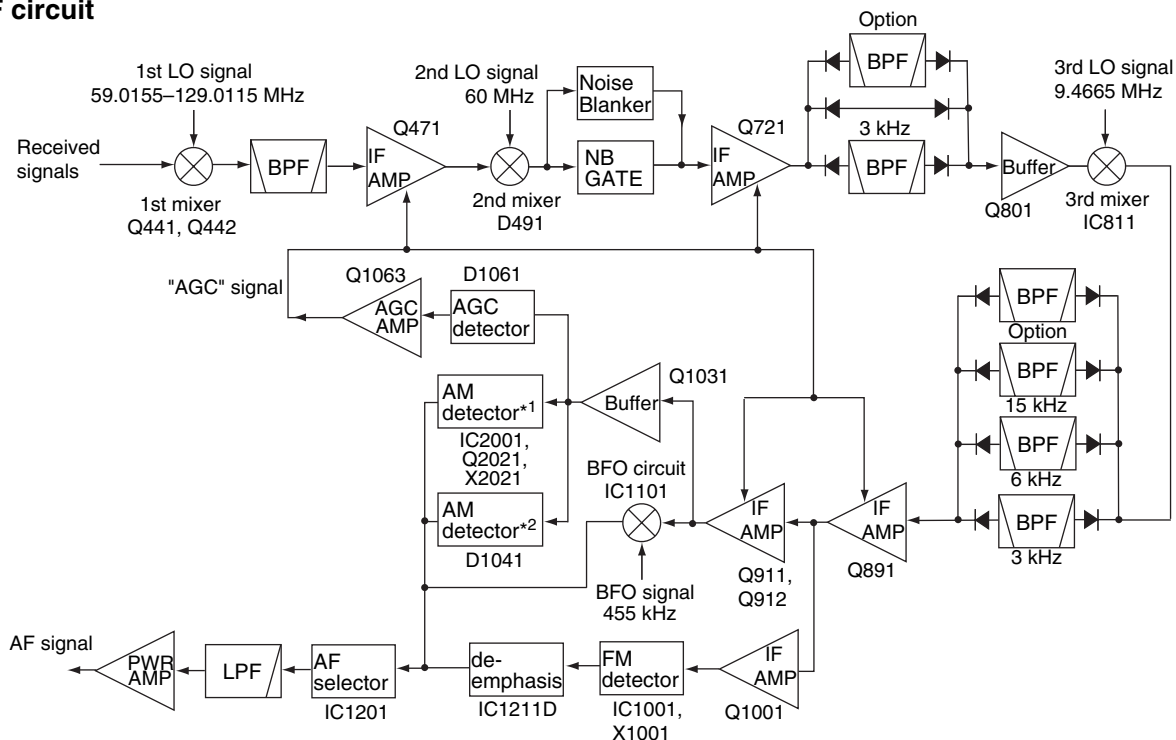
2ND IF FREQUENCY

MODE	FREQUENCY
LSB, USB, FM	9.0115 MHz
CW	9.0106 MHz
RTTY	9.0105 MHz
AM, S-AM	9.0100 MHz

The 9 MHz 2nd IF signal is applied to the crystal bandpass filter (FI701) to suppress unwanted signals.

The filtered signal enters the noise blanker gate (D711-D714). The signal is applied to L712 to obtain clear reception and is then amplified at the 2nd IF amplifier (Q721). The signal passes through a loose resonator circuit (C726, L721) and then is applied to one of the two crystal bandpass filters.

• IF circuit



*1: [USA], [EUR], [UK], [AUS], [DEN], [SEA], [OTH]

*2: [USA-1], [OTH-1], [CHN]

When the [FIL] switch is turned “2F3K”, the filter is selected FI761 which covering the 2.4 kHz bandwidth.

When the [FIL] switch is turned “2FOP”, the filter is selected an optional filter.

When the [FIL] switch is turned “2FTH”, the signal from the 2nd IF amplifier bypass the crystal bandpass filters through D771 and D773.

The filtered or bypassed signal is amplified at the buffer amplifier (Q801) and applied to the 3rd mixer circuit (IC811).

3-1-6 NOISE BLANKER CIRCUITS (MAIN UNIT)

The IC-R75 uses a trigger noise blanker circuit which removes pulse-type noise signals at the noise blanker gate (D711–D714).

The 2nd IF signal passes through the crystal bandpass filter (FI701) to suppress unwanted signals. A portion of the output signal is applied to a noise amplifier circuit (IC731, Q731, Q733) and detected at a noise detector circuit (D731). The detected voltage is applied to a noise blanker gate control circuit (Q735–Q737, D732).

The threshold level of the noise blanker gate control circuit (Q735–Q737, D732) is set at 1.0 V on SSB mode (In case of AM mode, is set at 1.6 V). When the detected voltage exceeds the threshold level, Q737 outputs a blanking signal to activate the noise blanker gate (D711–D714).

A portion of the detected voltage is applied to the noise blanker AGC circuit (Q732, Q734). The noise components are fed back to the noise amplifier (IC731). The time constant of the noise blanker AGC circuit is determined by R737, R744 and C739. This AGC circuit does not operate to detect pulse-type noise.

When the operating frequency or mode is changed, the “UNLC” signal is applied to the noise blanker gate control circuit (D732). The noise blanker gate prevents PLL click noise.

3-1-7 3RD MIXER AND IF CIRCUITS (MAIN UNIT)

The 2nd IF signal is mixed with a 9.4665 MHz 3rd LO signal to produce a 450–456 kHz 3rd IF signal at the 3rd mixer (IC811).

3RD IF FREQUENCY

MODE	FREQUENCY
LSB, USB	455.0 kHz
CW	455.9 kHz
RTTY	456.0 kHz
AM, S-AM	450.0 kHz

The 9.4665 MHz 3rd LO signal is applied to the 3rd mixer IC (IC811, pin 10) from the PLL unit via J811. The 450–456 kHz 3rd IF signal is applied either to one of the 3 ceramic bandpass filters (FI851, FI861, FI871) or to an optional crystal bandpass filter to suppress unwanted signals.

When the [FIL] switch is turned “3F3K”, the filter is selected FI851 which covering the 2.4 kHz bandwidth.

When the [FIL] switch is turned “3F6K”, the filter is selected FI861 which covering the 6 kHz bandwidth.

When the [FIL] switch is turned “3F15”, the filter is selected FI871 which covering the 15 kHz bandwidth.

When the [FIL] switch is turned “3FOP”, the filter is selected an optional crystal bandpass filter.

When the mode is selected SSB mode, the filtered 3rd IF signal is amplified at the 3rd IF amplifier (Q891), and is then applied to the 3rd IF amplifier (Q911) via the receiver total gain control circuit (R898). The amplified signal is applied to the SSB demodulator circuit.

When the mode is selected FM mode, the filtered 3rd IF signal is amplified at the 3rd IF amplifier (Q891), and is then applied to the FM demodulator circuit.

When the mode is selected AM mode, the filtered 3rd IF signal is amplified at the 3rd IF amplifier (Q891), and is then applied to the 3rd IF amplifier (Q911) via the receiver total gain control circuit (R898). The amplified signal is applied to the AM demodulator circuit.

1st, 2nd and 3rd IF amplifiers (Q471, Q721, Q891) are controlled by AGC bias voltage.

3-1-8 BFO CIRCUIT (PLL UNIT)

The BFO (Beat Frequency Oscillator) circuit consists of Q1, X1, Q201 and IC 201 on PLL unit. The oscillator provides a beat frequency signal to the SSB demodulator circuit (MAIN UNIT; IC1101) for demodulating the 3rd IF signal into an AF signal.

The 30 MHz signal is oscillated at Q1 and X1 for the system clock signal of the DDS IC (IC201). The oscillated signal is amplified at Q201 and is applied to the DDC IC (IC201, pin 7) to produce the 455 kHz BFO signal.

The 455 kHz signal passes through the low-pass filter (L201, L202, C202–C207) via the D/A converter, and is then mixed with the 3rd IF signal at the SSB demodulator circuit (MAIN unit; IC1101).

3-1-9 DEMODULATOR CIRCUIT (MAIN UNIT)

The demodulator circuit consists of 3 detector circuits.

(1) SSB DEMODULATOR CIRCUIT

A product detector (IC1101) demodulates SSB, RTTY and CW signals into an AF signal. The 3rd IF signal from the IF amplifier (Q911) is mixed with the BFO signal at the product detector (IC1101) to be demodulated into an AF signal. The AF signal passes through the AF input mode selector switch (IC1201).

(2) FM DEMODULATOR CIRCUIT

A FM detector (IC1001, X1001) demodulates the FM signal into an AF signal. The 3rd IF signal from the IF amplifier (Q891) is amplified at the 3rd IF amplifier (Q1001), and is then applied to the FM detector (IC1001, X1001) to demodulate the 3rd IF signal. The demodulated signal is applied to the de-emphasis circuit (IC1211D) to produce the FM AF signal. The AF signal passes through the AF input mode selector switch (IC1201).

The FM detector outputs “FMNL” signal from IC1001, pin 14 is applied to the CPU (LOGIC unit; IC101, pin 94) to control the noise squelch level.

(3) AM DEMODULATOR CIRCUIT

The AM detector (IC2001*1 or D1041*2) demodulates the AM signal into the AF signal. The 3rd IF signal from the IF amplifier (Q911) is amplified at the buffer amplifier (Q1031), and is then applied to the AM demodulator circuit (IC2001*1 or D1041*2) to demodulate the 3rd IF signal into the AF signal. The AM-demodulated AF signal is passed through the AF selector (IC1201).

3-1-10 AF INPUT MODE SELECTOR SWITCH (MAIN AND LOGIC UNITS)

The AF input mode selector switch (MAIN unit; IC1201) consists of 4 analog switches. The switches are selected mode signals of “AFS1” and “AFS2” from the CPU (LOGIC unit; IC101) via the shift register (MAIN unit; IC1601), and are selected by the squelch control signal from the CPU (LOGIC unit; IC101). The AF signal is output from IC1201 (MAIN unit; pin 13).

3-1-11 AF AMPLIFIER CIRCUIT (MAIN AND FRONT UNITS)

The AF signal output is passed through the low-pass filter (IC1211) to suppress unwanted signals. The filtered signal is mixed with “BEEP” signal at the AF level variable circuit (MAIN unit; IC1251), and is then applied to the AF amplifier circuit and the AF level variable circuit (IC1251).

The AF level variable circuit controls the AF level by the “AF GAIN” (R141) on the VR BOARD. The AF signal is applied to the AF mute circuit to suppress the noise when “AF GAIN” (R141) level is minimum, and is then power-amplified at IC1291 on the MAIN unit to drive the speaker.

The one of the AF amplified signal is output “AAFO” signal to record the AF signal to the AF recording jack (PLL unit; J3).

3-1-12 AGC AND S-METER CIRCUITS (MAIN UNIT)

The AGC (Automatic Gain Control) circuit reduces signal fading and keep the audio output level constant. The receiver gain is determined by voltage on the AGC line (Q1063, collector). When strong signals are received, the AGC circuit decreases the voltage on this line.

The 3rd IF signal is amplified at the IF amplifier (Q911). A portion of the 3rd IF signal is applied to the buffer amplifier (Q1031) to convert the impedance. The amplified IF signal is detected at the AGC detector (D1061) via the C1061, and enters the base of the AGC amplifier (Q1063) to control the voltage on the AGC line.

The AGC mode is selected by the receiver mode or AGC switch on the front panel using the delay control circuit (Q1064–Q1066). The MDAT signal from the CPU (LOGIC board; IC101, pin 21) is applied to the shift resistor (IC1601 pin 2) to produce the AGSS and the AGFS signals. The AGSS signal is applied to the Q1064, the AGFS signal is applied to the Q1065, the AGRS signal from the CPU (LOGIC unit; IC101, pin 80) is applied to the Q1066 to control the delay control circuit.

The AGRS signal resets the AGC circuit when IC-R75 is working the memory scanning.

When the AGC switch is selected “OFF”, the Q1061 do not supply the voltage to the AGC amplifier (Q1063) via the “AGOS” line, determining the time constant to deactivate the AGC circuit.

A portion of the AGC bias voltage is amplified at the S-Meter amplifier circuit (IC1211C, D831), and then applied to the CPU (LOGIC unit; IC101, pin 95) via the “SML” line. Thus the CPU controls S-Meter display.

3-1-13 SQUELCH CIRCUIT (MAIN AND LOGIC UNIT)

The “SML” signal is applied to the CPU (LOGIC unit; IC101 pin 91) from the meter amplifier circuit (IC1211C, D831). The CPU compares “SML” signal with the level of SQL volume or the VR BOARD to control the “SQL” signal.

The CPU is output the “SQLS” signal from pin 81, and then applied to the AF selector circuit (MAIN unit; IC1201, pin 6 which has also the squelch gate circuit).

3-2 PLL CIRCUITS

3-2-1 GENERAL DESCRIPTION

The PLL unit generates a 1st LO signal (69.0415–129.0115 MHz variable), 2nd LO signal (60 MHz), 3rd LO signal (9.4665 MHz) and BFO signal (455 kHz) used in the MAIN unit.

The IC-R75 uses a DDS (Direct Digital synthesizer) system. The DDS system provides rapid lockup time and high quality frequency oscillation.

3-2-2 REFERENCE OSCILLATOR CIRCUIT (PLL CIRCUIT)

The 30 MHz reference oscillator circuit consists of X1 and Q1. The 30 MHz reference frequency is oscillated to produce all of the LO signals.

3-2-3 1ST LO CIRCUIT (PLL AND MAIN UNIT)

The 30 MHz reference frequency is applied to the DDS-IC (PLL unit; IC21, pin 40) to oscillate the 1st LO signal. The reference frequency is compared to the DDS output signal (PLL unit; IC21, pin 46) to oscillate the PLL lock voltage. The PLL lock voltage controls the oscillate frequency of the VCO1 and VCO2 circuit.

*1: [USA], [EUR], [UK], [AUS], [DEN], [SEA], [OTH]

*2: [USA-1], [OTH-1], [CHN]

The oscillated signal at the VCO1 and VCO2 circuit is amplified at the LO-amplifier (PLL unit; Q91), and passes through the low-pass filter (PLL unit; Q92, D91, D92, L91, L93, C96–C100, C102, C103) to suppress high harmonic components. The low-pass filter controls the cut-off frequency of less than 29.999 MHz and more than 30.000 MHz by switching C102 and C103 "ON" and "OFF" respectively.

The filtered signal is applied to the LO-amplifier (MAIN unit; Q411), and is then applied to the 1st mixer circuit (MAIN unit; Q441, Q442) via the low-pass filter (MAIN unit; L421, L422, C422–C425).

The reference frequency from the LO-amplifier (PLL unit; Q91) is also divided by 4 at IC22, and is applied to the DDS-IC (PLL unit; IC21, pin 88) for the clock signal.

3-2-4 2ND LO CIRCUIT (PLL AND MAIN UNIT)

The 30 MHz reference frequency from the Q1 and X1 on the PLL unit is multiplied by 2 at Q2 on the PLL unit. The 60 MHz 2nd LO signal is obtained at the L4 and L5 on the MAIN unit, and is then applied to the 2nd mixer circuit (MAIN unit; D491) via the 3dB attenuator (MAIN UNIT; R491–R493).

3-2-5 3RD LO CIRCUIT (PLL AND MAIN UNIT)

The 30 MHz reference frequency is oscillated at the Q1 and X1 on the PLL unit, and is then amplified at the Q151 on the PLL unit. The amplified signal is applied to the 10 bits DDS-IC (PLL unit; IC151, pin 7) for the clock signal to produce the 9.4665 MHz 3rd LO signal. The 3rd LO signal is applied to the D/A converter circuit, and passes through the low-pass filter (PLL unit; L151, L152, C152–C157) to suppress spurious components. The filtered 9.4665 MHz 3rd LO signal is applied to the 3rd mixer circuit (MAIN unit; IC811, pin 10)

3-2-6 BFO CIRCUIT (PLL AND MAIN UNIT)

The 30 MHz reference frequency is amplified at the Q201 on the PLL unit, and is applied to the 10 bits DDS-IC (PLL unit; IC201, pin 7) for the clock signal to produce the 455 kHz BFO signal. The BFO signal is applied to the D/A converter circuit, and passes through the low-pass filter (PLL unit; L201, L202, C202–C207) to suppress spurious components. The filtered 455 kHz BFO signal is applied to the BFO mixer circuit (MAIN unit; IC1101, pin 10).

3-2-7 VCO CIRCUIT

The VCO circuit consists of the VCO1 circuit (PLL unit; Q71, Q72, D71) and VCO2 circuit (PLL unit; Q81, Q82, D81). The VCO1 controls less than displayed frequency of 29.999 MHz to use the PLL lock voltage from the DDS-IC. The VCO2 controls more than displayed frequency of 30.000 MHz to use the PLL lock voltage from the DDS-IC.

3-3 LOGIC CIRCUITS

The LOGIC circuit consists of the CPU, the reset circuit, backup battery circuit, and so on.

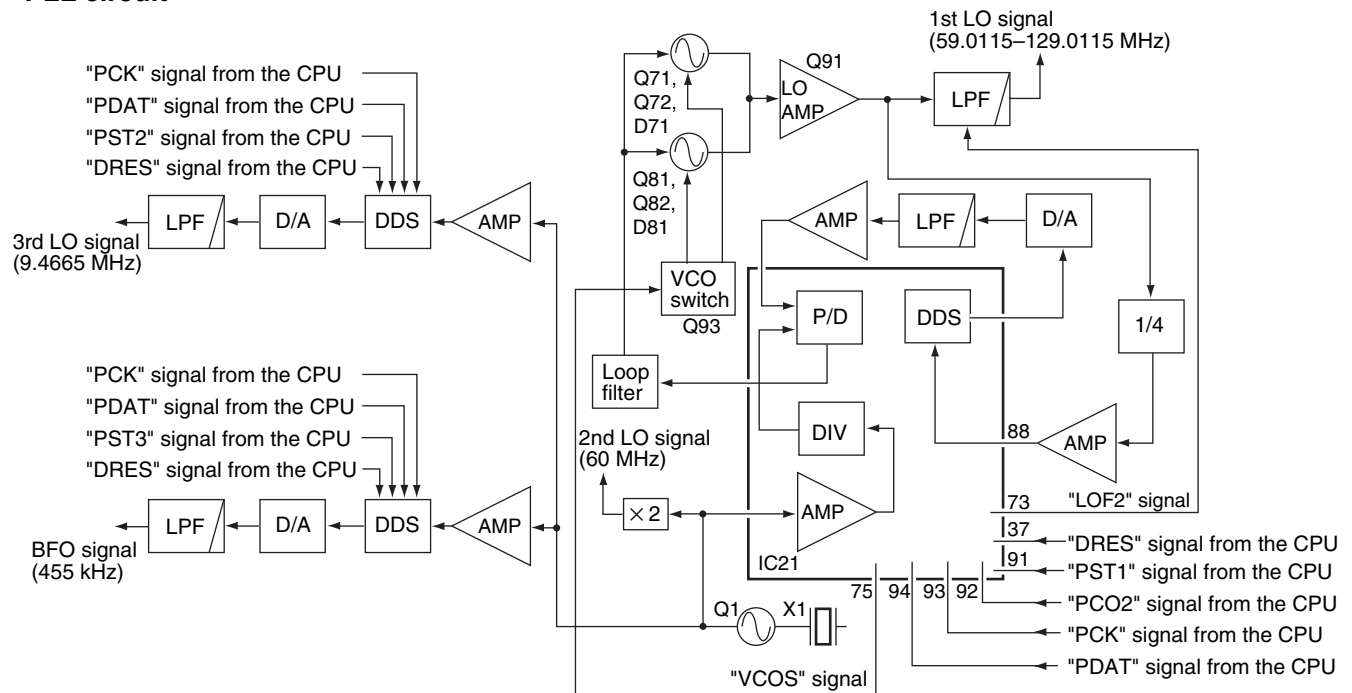
3-3-1 CPU (LOGIC UNIT)

The CPU (IC101) contains 8-bit one chip CPU. The CPU controls the operating frequency, mode, function, display, panel switches, panel volumes.

The panel switches are connected the CPU input port to the function of the panel switch or are connected some functions of panel switches to the A/D converter input port in the CPU.

The CI-V signal which is used for communicate to the personal computer is controlled by the level control circuit (IC401A, IC401B, Q401 and so on).

• PLL circuit



The CPU has the clock function. Thus, the CPU and the clock function have the crystal separately. The CPU has the 9.8304 MHz crystal (X112) for the CPU clock, and then the oscillated 9.8304 MHz signal is applied to the IC101, pin 7 and 8. The clock function has the 32.768 kHz crystal (X111). The oscillated 32.768 kHz signal is applied to the CPU (IC101, pin 4 and 5).

When the power is "OFF", the EEPROM (IC231) is used for keep on saving the data of memory channels, and so on.

3-3-2 RESET CIRCUIT (LOGIC UNIT)

The reset circuit consists of Q391, D381, D382, D393, IC391 and IC392. When IC-R75 is supplied 13.8 V to connect the AC adapter, the "HV" signal is applied to the IC391, pin 2. The signal which is output from the IC391, pin 1 is applied to the IC392, pin 1. The signal is applied to the Q391, and is then output to the CPU (IC101, pin 9) as "CRES" reset signal.

A portion of the output signal from the IC392 is input to the CPU (IC101, pin 82) as "BKUP" signal to backup the clock data.

3-3-3 BACKUP SWITCH CIRCUIT (LOGIC UNIT)

IC-R75 has a backup switch circuit (Q511 and Q512). When IC-R75 is supplied to 13.8 V to connect the AC adapter, the "H5V" signal is applied to Q512, pin 4, and then Q511 is OFF. When the AC adapter is disconnected, the "BATT" signal from the battery (MAIN unit; BT1521) is applied to the Q511, and then Q512 is OFF.

The output signal is applied to the CPU (IC101, pin 31) as "B5V" signal to keep on working the clock function.

The backup battery is not used while the AC adapter is connected.

3-4 POWER SUPPLY CIRCUITS

3-4-1 VOLTAGE LINES (MAIN UNIT)

Line	Description
HVR	The voltage from the connected DC power supply.
	Common 5 V converted from the "HVR" line by the +5 regulator circuit (IC1361).
H5V 14V	Common 14 V converted from the "HVR" line by the regulator circuit (IC1371 and D1371). The output voltage is applied to the pre-amplifier (Q381 and Q382) via the PRE1 regulator circuit (Q383) and the IF-amplifier (Q471) via the R14V regulator circuit (Q472).
R8V	Receive 8 V converted from the "14V" line by the R8 regulator circuit (Q1381, Q1382 and D1381). The output voltage is applied to the IF-amplifier (Q912, Q471), the switch control circuit (Q151), and the driver circuit (IC561 and IC562, pin 9).
8V	Common 8 V converted from the "14V" line by the +8 regulator circuit (IC1391). The output signal is applied to the low-pass filter (IC1211A, pin 4), buffer amplifiers (Q1051 and Q801), the pre-amplifier (IC391) via the REG2 regulator circuit (Q391) and the AM detector circuit.
5V	Common 5 V converted from the "14V" line by the +5 regulator circuit (IC1401).
-5V	Common -5 V converted from the "14V" line by the -5 V DC-DC convertor circuit (IC1411, D1412 and D1413).

3-5 PORT ALLOCATIONS

3-5-1 CPU (LOGIC UNIT; IC101)

Pin number	Port name	Description
1	KEY6	Input port for [0] and [ENT] switch from the 10-key.
9	CRES	Input port for the reset signal. Low : While the reset switch is pushed.
11	PWRK	Input for the [POWER] switch. Low : While [POWER] switch is pushed.
12	DUD	Input port for the UP signal from the [MAIN DIAL].
14	DAST	Outputs strobe signals for the D/A converter (LOGIC unit; IC351).
15	RSTB	Outputs strobe signals for the shift register (MAIN unit; IC551, IC552).
16	ISTB	Outputs strobe signals for the shift register (MAIN unit; IC1602).
17	ASTB	Outputs strobe signals for the shift register (MAIN unit; IC1601).
18	ECS	Outputs ECS signals for the EEPROM (LOGIC unit; IC231).
19	MCK	Outputs clock signal to the EEPROM and shift registers.
21	MDAT	Outputs data signals to the EEPROM, shift registers, etc.
22	PCK	Outputs clock signals to the PLL IC (PLL unit; IC21) and the DDS IC (PLL unit; IC151, IC201).
23	PST1	Outputs strobe signals for the PLL IC.
24	PDAT	Outputs data signals to the PLL IC and the DDS IC.
25	PST2	Outputs strobe signals for the DDS IC (IC151).
26	PST3	Outputs strobe signals for the DDS IC (IC201).
36	SSBK	Input port for the [SSB] switch.
37	CWK	Input port for the [CW] switch.
38	AMK	Input port for the [AM] switch.
39	FMK	Input port for the [FM] switch.
40	FILK	Input port for the [FIL] switch.
41	TSK	Input port for the [TS] switch.
42	PREK	Input port for the [P.AMP] switch.
43	ATTK	Input port for the [ATT] switch.
44	NRK	Input port for the [NR] switch.
45	ANFK	Input port for the [ANF] switch.
46	NBK	Input port for the [NB] switch.
47	AGCK	Input port for the [AGC] switch.
48	VMK	Input port for the [V/M] switch.

Pin number	Port name	Description
49	MWK	Input port for the [MW] switch.
50	CLRK	Input port for the [CLR] switch.
51	SELK	Input port for the [SEL] switch.
52	SCAK	Input port for the [SCAN] switch.
53	UPK	Input port for the [UP] switch.
54	DNK	Input port for the [DN] switch.
55	LOCK	Input port for the [LOCK] switch.
56	SETK	Input port for the [SET] switch.
57	CLKK	Input port for the [CLOCK] switch.
63	DRES	Outputs reset signal to the PLL IC and DDS IC. Low: PLL IC and DDS IC is reset.
77	PWRS	Outputs control signal for the regulator circuit (MAIN unit; IC1371 and D1371).
78	BEEP	Outputs beep audio signals.
79	RXS	Outputs control signal for the R8 regulator circuit (MAIN unit; Q1381, Q1382, D1381).
80	AGRS	<ul style="list-style-type: none"> • Outputs AGC reset signal to the AGC delay control circuit (MAIN unit; Q1066). • Outputs control signal for the AGC delay control circuit (MAIN unit; Q1061, Q1064–Q1066).
81	SQLS	Outputs squelch control signal to the AF selector circuit (MAIN unit; IC1201).
82	BKUP	Input port for the BKUP signal from the reset circuit (LOGIC unit; IC391).
83	DCK	Input port for the UP signal from the [MAIN DIAL].
84	RECS	Outputs control signal for the remote recording driver.
90	AFGL	Input port for the AF gain signal from the [AF] volume on the front panel.
91	RFGL	Input port for the SQL/RF gain signal from the [SQL/RF] volume on the front panel.
92	PB1L	Input port for the PBT1 signal from the [TWIN PBT] volume on the front panel.
93	PB2L	Input port for the PBT2 signal from the [TWIN PBT] volume on the front panel.
94	FMNL	Input port for the FM noise squelch signal from the FM detector circuit (MAIN unit; IC1001 and X1001).

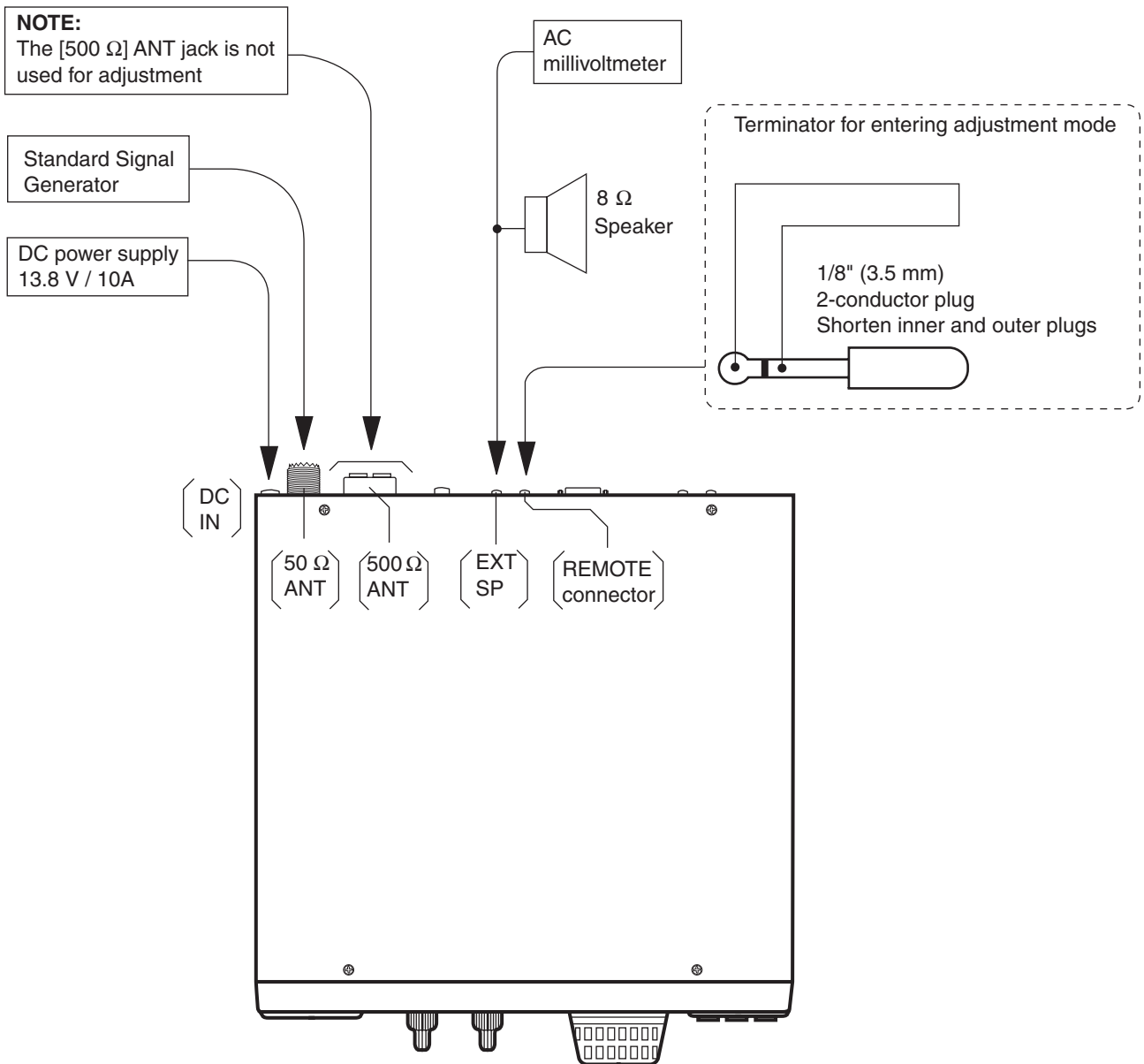
SECTION 4 ADJUSTMENT PROCEDURE

4-1 PREPARATION

REQUIRED TEST EQUIPMENT

EQUIPMENT	GRADE AND RANGE	EQUIPMENT	GRADE AND RANGE
DC power supply	Output voltage : 13.8 V DC Current capacity : 2 A or more	Oscilloscope	Frequency range : DC–20 MHz Measuring range : 0.01–20 V
Frequency counter	Frequency range : 0.1–60 MHz Frequency accuracy : ± 1 ppm or better Sensitivity : 100 mV or better	AC millivoltmeter	Measuring range : 10 mV to 10 V
		External speaker	Input impedance : 8 Ω Capacity : 4 W or more
Audio generator	Frequency range : 0.1–60 Hz Measuring range : 0.01–10 mV	Standard signal generator (SSG)	Frequency range : 0.1–300 MHz Output level : 0.1 μ V–32 mV (–127 to –17 dBm)
DC Voltmeter	Input impedance : 50 k Ω /V DC or better		

CONNECTION

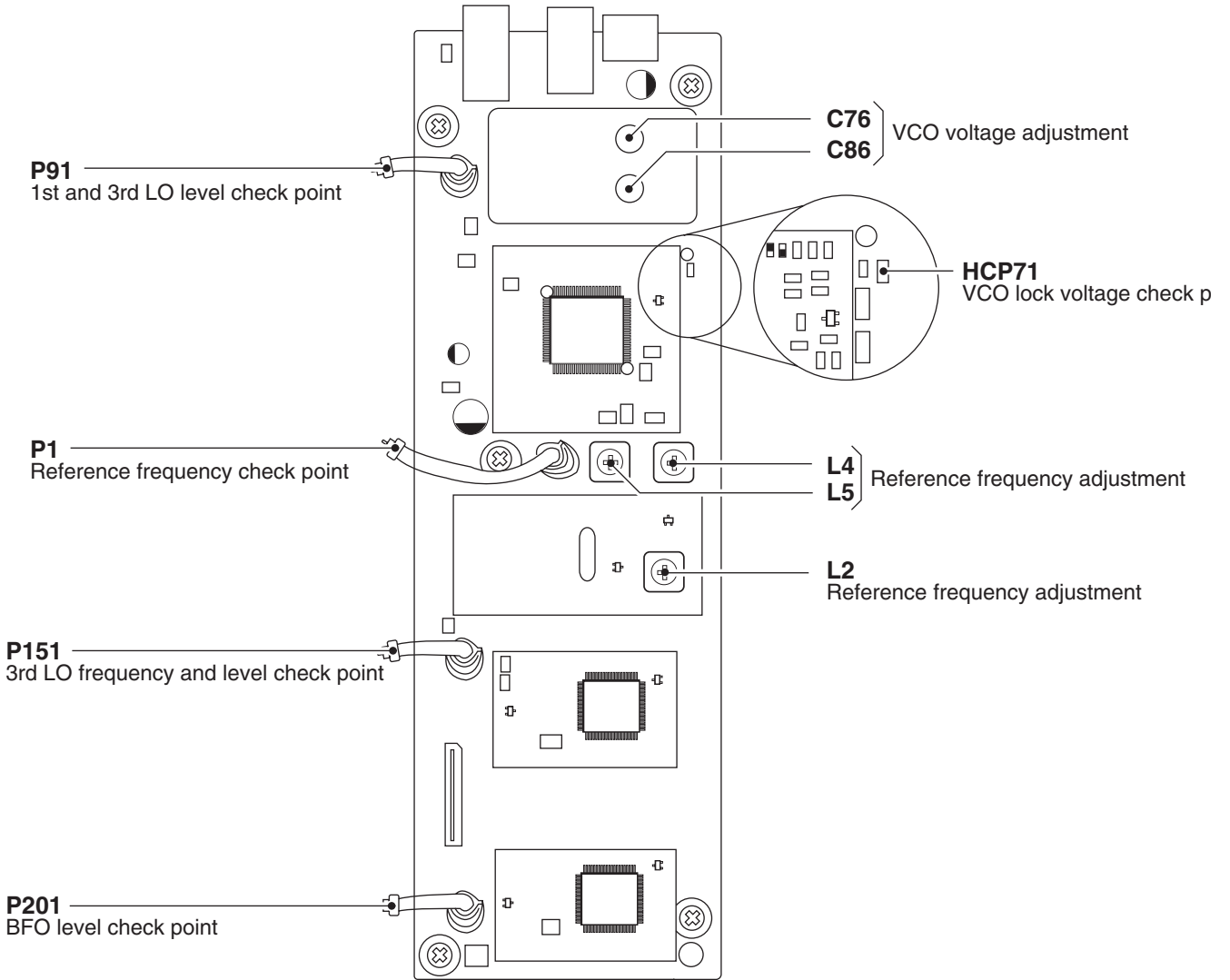


4-2 PLL ADJUSTMENT

ADJUSTMENT		ADJUSTMENT CONDITION	MEASUREMENT		VALUE	ADJUSTMENT POINT	
			UNIT	LOCATION		UNIT	ADJUST
REFERENCE FREQUENCY	1	<ul style="list-style-type: none"> Displayed frequency : 29.99999 MHz Mode : USB 	PLL	Connect the frequency counter to P1.	60.00000 MHz	PLL	L2
	2			Connect the RF voltmeter to P1.	Maximum voltage		L4, L5
VCO LOCK VOLTAGE	1	<ul style="list-style-type: none"> Displayed frequency : 29.99999 MHz Mode : USB 	PLL	Connect the DC voltmeter to HCP71.	4.0 V	PLL	C86
	2	<ul style="list-style-type: none"> Displayed frequency : 0.03000 MHz Mode : USB 			More than 0.8 V		Verify
	3	<ul style="list-style-type: none"> Displayed frequency : 60.00000 MHz (except [DEN], [SEA]) : 52.00000 MHz [DEN], [SEA] Mode : USB 			4.0 V (except [DEN], [SEA]) 3.0 V [DEN], [SEA]	PLL	C76
	4	<ul style="list-style-type: none"> Displayed frequency : 30.00000 MHz (except [DEN], [SEA]) : 50.00000 MHz [DEN], [SEA] Mode : USB 			More than 0.8 V (except [DEN], [SEA]) More than 2.5 V [DEN], [SEA]		Verify
1ST LO LEVEL	1	<ul style="list-style-type: none"> Displayed frequency : 0.03–60.000 MHz Mode : USB 	PLL	Connect the RF voltmeter to P91.	More than 0.18 V	PLL	Verify
3RD LO LEVEL	1	<ul style="list-style-type: none"> Displayed frequency : 0.03–60.000 MHz Mode : USB 	PLL	Connect the RF voltmeter to P151.	More than 0.022 V	PLL	Verify
3RD LO FREQUENCY	1	<ul style="list-style-type: none"> Displayed frequency : 9.4615 MHz Mode : FM 	PLL	Connect the frequency counter to P151.	9.4614–9.4616 MHz	PLL	Verify
BFO LEVEL	1	<ul style="list-style-type: none"> Displayed frequency : 14.100000 MHz Mode : USB 	PLL	Connect the RF voltmeter to P201.	More than 0.022 V	PLL	Verify
	2	<ul style="list-style-type: none"> Displayed frequency : 14.100000 MHz Mode : AM 			Less than 280 μ V		

*This output level of the standard signal generator (SSG) is indicated as SSG's open circuit.

• PLL UNIT

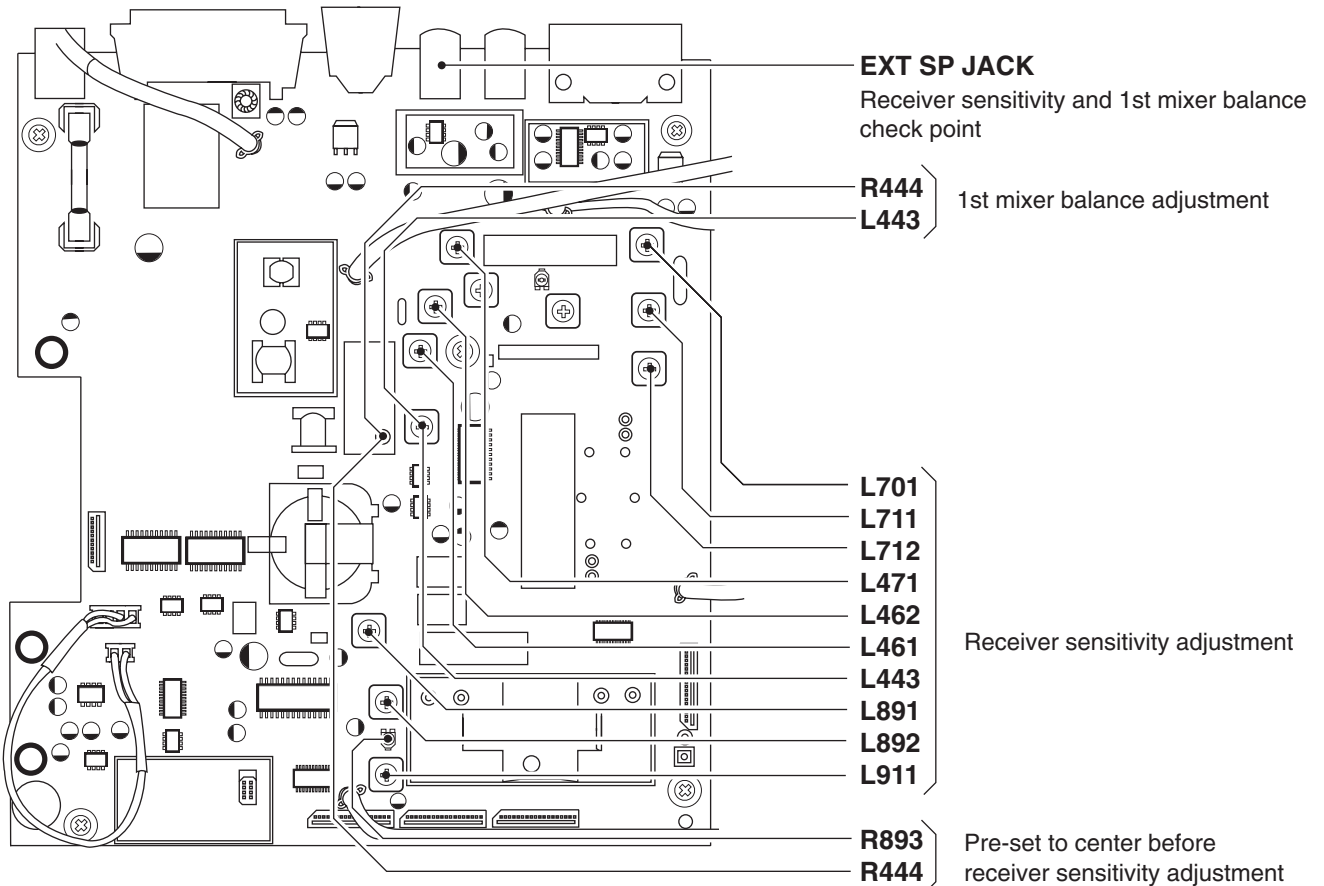


4-3 RECEIVER ADJUSTMENTS

ADJUSTMENT	ADJUSTMENT CONDITION	MEASUREMENT		VALUE	ADJUSTMENT POINT		
		UNIT	LOCATION		UNIT	ADJUST	
RECEIVER SENSITIVITY	1	<ul style="list-style-type: none"> • Displayed frequency : 14.10000 MHz • Mode : USB • PREAMP1 : ON • ANT select : ANT1 • AGC : FAST • NOISE BLANKER: OFF • RF/SQL : CENTER • PBT1/PBT2 : CENTER • IF FILTER1 : 2.4 kHz • IF FILTER2 : 2.4 kHz 	Rear Panel	Connect the AC milli-volt meter to the [EXT SP] jack with an 8 Ω load.	Pre-set to center	MAIN	R444 R898
	2	<ul style="list-style-type: none"> • Connect an SSG to the antenna connector1 and set as: Frequency : 14.10150 MHz Level : 22 μV* (-13 dBμ) Modulation : OFF 			Maximum output level	MAIN	L443, L461, L462, L471, L701, L711, L712, L891, L892, L911
1ST MIXER BALANCE	1	<ul style="list-style-type: none"> • Displayed frequency : 0.10000 MHz • PREAMP1 : OFF • set an SSG level as : OFF • Mode : USB 	Rear panel	Connect an oscilloscope to the [EXT SP] jack with 8 Ω load.	Minimum noise level	MAIN	L443, R444

*This output level of the standard signal generator (SSG) is indicated as SSG's open circuit.

• MAIN UNIT

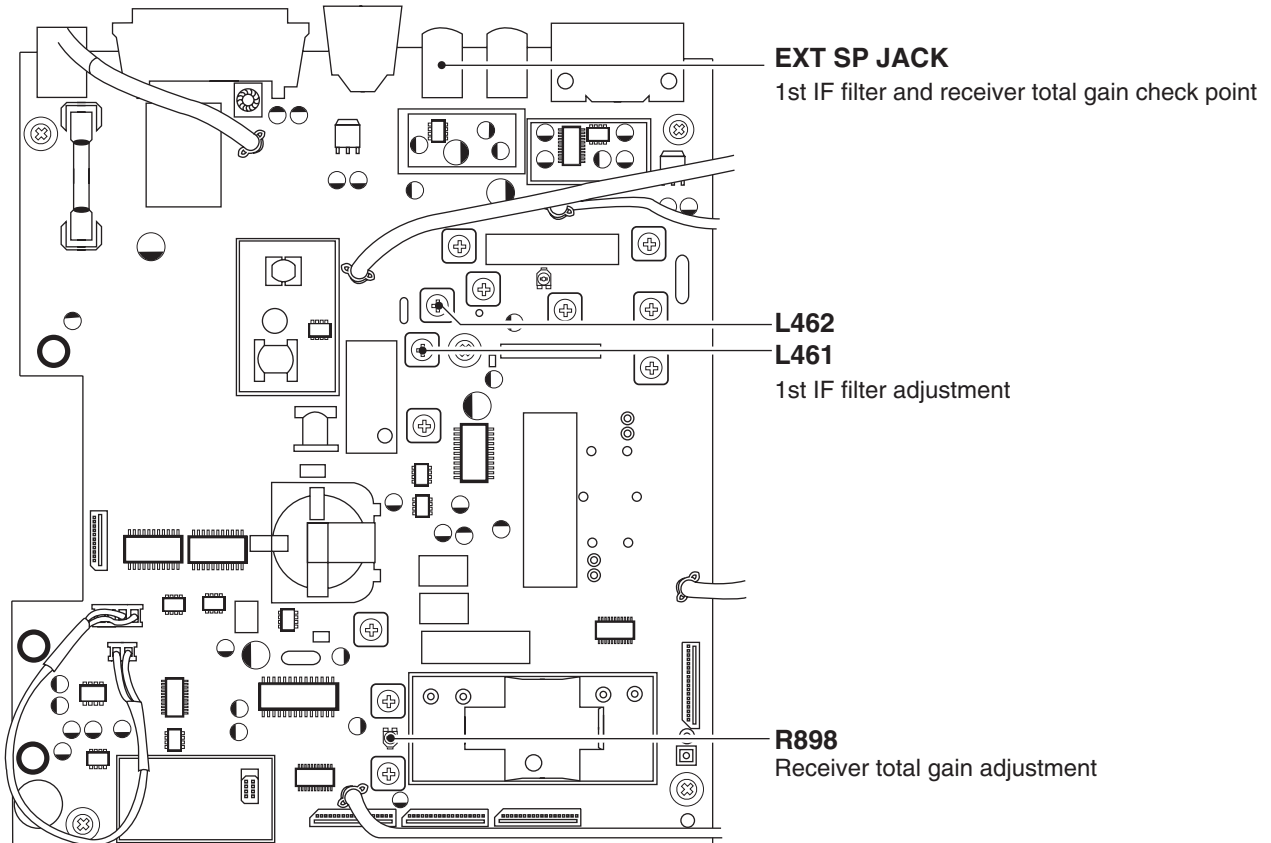


RECEIVER ADJUSTMENTS (continued)

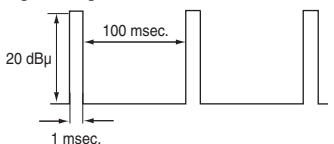
ADJUSTMENT	ADJUSTMENT CONDITION	MEASUREMENT		VALUE	ADJUSTMENT POINT	
		UNIT	LOCATION		UNIT	ADJUST
1ST IF FILTER	1 <ul style="list-style-type: none"> • Displayed frequency : 14.10000 MHz • Mode : FM • PREAMP1 : ON • IF FILTER1 : 15 kHz • IF FILTER2 : 6 kHz • set an SSG as <ul style="list-style-type: none"> Frequency : 14.10150 MHz Level : 0.32 μV* (-10 dBμ) Deviation : \pm3.5 kHz Modulation : 1 kHz • Receiving 	Rear panel	Connect the AC milli-volt meter to the [EXT SP] jack with an 8 Ω load.	Maximum output level	MAIN	L461, L462
RECEIVER TOTAL GAIN	1 <ul style="list-style-type: none"> • Displayed frequency : 14.10000 MHz • Mode : USB • PREAMP1 : OFF • IF FILTER1 : 2.4 kHz • IF FILTER2 : 2.4 kHz • Set an SSG as <ul style="list-style-type: none"> Frequency : 14.10150 MHz Level : 500 μV* (54 dBμ) Modulation : OFF 	Rear panel	Connect the AC milli-volt meter to the [EXT SP] jack with an 8 Ω load.	0 dB (1.0 V)	Front panel	[AF GAIN] control
	2 <ul style="list-style-type: none"> • Set an SSG level as : OFF • Receiving 			-30 dB (1 mV)		

*This output level of the standard signal generator (SSG) is indicated as SSG's open circuit.

• MAIN UNIT

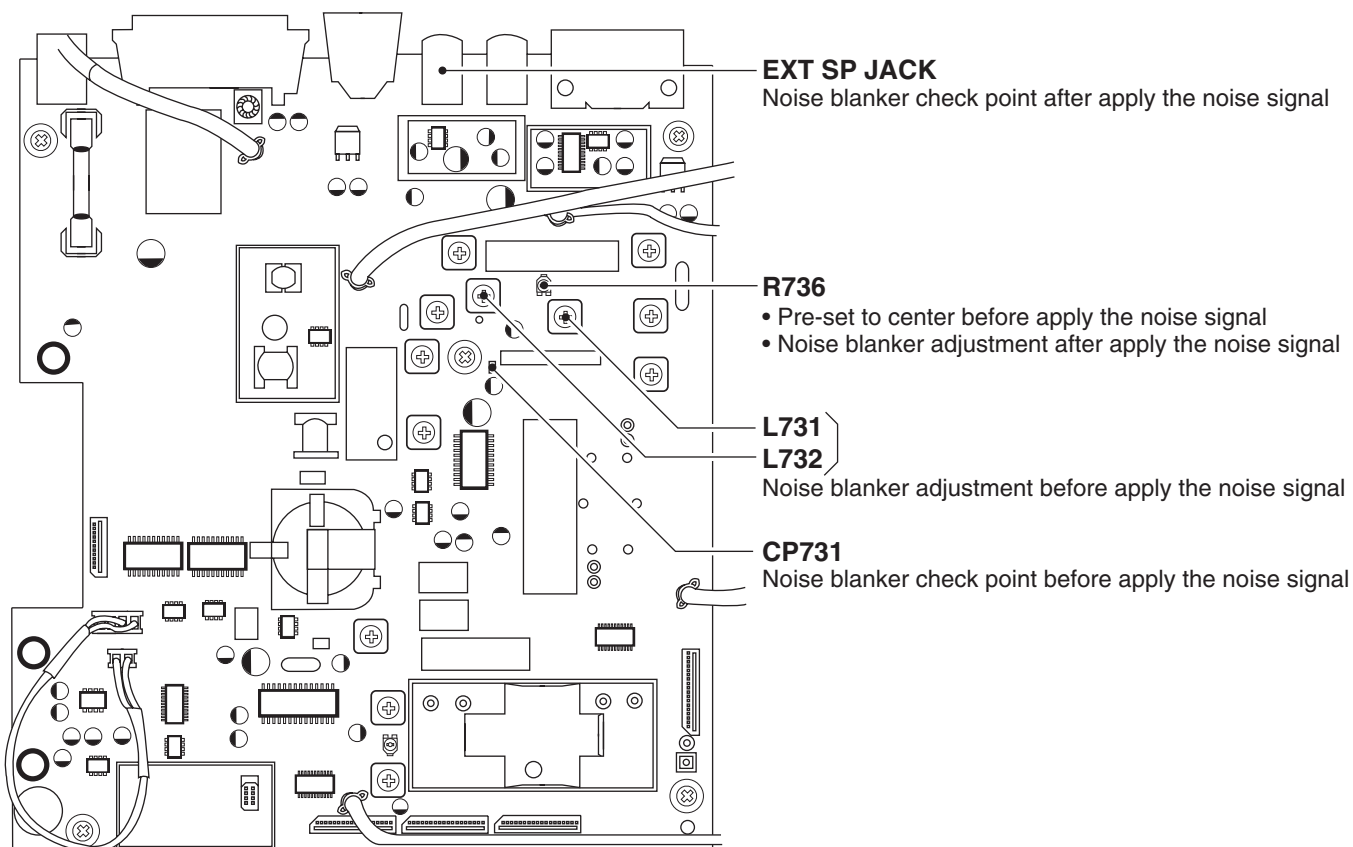


RECEIVER ADJUSTMENTS (CONTINUED)

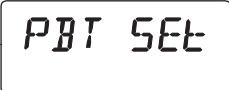



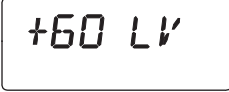

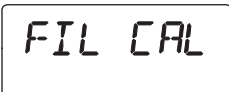
ADJUSTMENT	ADJUSTMENT CONDITION	MEASUREMENT		VALUE	ADJUSTMENT POINT		
		UNIT	LOCATION		UNIT	ADJUST	
NOISE BLANKER	1	<ul style="list-style-type: none"> • Displayed frequency : 14.10000 MHz • Mode : USB • Noise Blanker : OFF • PREAMP1. : ON • Set an SSG as <ul style="list-style-type: none"> Frequency : 14.10000 MHz Level : 18 μV* (25 dBμ) Modulation : OFF 	MAIN	Connect the oscilloscope to the check point CP731.	Pre-set to center Minimum voltage	MAIN	R736 L731, L732
	2	<ul style="list-style-type: none"> • Apply the following signal to the [ANT1] connector 	Rear Panel	Connect the oscilloscope to the [EXT SP] jack with an 8 Ω load.	Noise is blanked when the [NB] switch is ON.	MAIN	R736

*This output level of the standard signal generator (SSG) is indicated as SSG's open circuit.

• MAIN UNIT



4-4 ADJUSTMENT MODE

ADJUSTMENT	ADJUSTMENT CONDITION	DISPLAY	OPERATION
ENTERING ADJUSTMENT MODE	<ul style="list-style-type: none"> • Turn power OFF • Connect a terminator to the [REMOTE] connector on the rear panel. • While pushing “SET[ANT]” and “CLOCK” keys, and turn power ON. 		<ul style="list-style-type: none"> • Push “UP” key to scroll the display.
PBT VOLUME	1 <ul style="list-style-type: none"> • Connect an SSG to the antenna connector¹ and set as: Frequency : 14.15150 MHz Level : 50 mV* (–13 dBm) Modulation : OFF • Preset both of the inner and outer “TWIN PBT” dials to 12 o’clock position. • Receiving 		<ul style="list-style-type: none"> • Push “SET[ANT]” key to set the PBT level. • When the PBT level is true, shown “GOOD” on the display.
S-METER	1 <ul style="list-style-type: none"> • Set an SSG level as : OFF 		<ul style="list-style-type: none"> • Push the “SET[ANT]” key to set the S0 level.
	2 <ul style="list-style-type: none"> • Set an SSG level as : 35 μV* (31 dBμ) 		<ul style="list-style-type: none"> • Push the “SET[ANT]” key to set the S9 level.
	3 <ul style="list-style-type: none"> • Set an SSG level as : 28 mV* (89 dBμ) 		<ul style="list-style-type: none"> • Push the “SET[ANT]” key to set the 60 dB level.
	4 <ul style="list-style-type: none"> • (No specific condition listed for step 4) 		<ul style="list-style-type: none"> • When the S-meter adjustment is finished, “END” is displayed.
FILTER CALIBRATION	1 <ul style="list-style-type: none"> • Set an SSG level as : 10 μV* (20 dBμ) 		<ul style="list-style-type: none"> • Push the “SET[ANT]” key to set the filter calibration. • Beep sounds.
	2 <ul style="list-style-type: none"> • Turn power OFF to quit the adjustment mode. 		

*This output level of the standard signal generator (SSG) is indicated as SSG’s open circuit.

SECTION 5

PARTS LIST

[LOGIC BOARD]

REF NO.	ORDER NO.	DESCRIPTION
IC101	1140013850	S.IC HD6433837SE27HV (RX-2240A)
IC351	1110003690	S.IC M62354GP 75EC
IC391	1110005771	S.IC S-80942CNMC-G9CT2G
IC392	1130006441	S.IC TC7S08F (TE85R,F)
IC401	1130004922	S.IC TC74HC04AF (EL,F)
Q351	1590000680	S.TR DTC114EUA T106
Q391	1530002851	S.TR 2SC4116-BL (TE85R,F)
Q401	1590001650	S.TR XP4601 (TX)
Q421	1590000720	S.TR DTA144EUA T106
Q511	1510000510	S.TR 2SA1576A T106R
Q512	1590001650	S.TR XP4601 (TX)
D381	1730002320	S.ZEN MA8051-M (TX)
D382	1790000970	S.DIO MA729 (TX)
D393	1750000550	S.DIO 1SS355 TE-17
D401	1750000550	S.DIO 1SS355 TE-17
D461	1730002531	S.ZEN NNCD6.2G-T1-A
X111	6050009460	S.XTL CM200S SMD (32.768 kHz)
X112	6050009870	S.XTL CR-567 (9.8304 MHz)
L491	6200003950	S.COL HF50ACC 322513-T
L492	6200003950	S.COL HF50ACC 322513-T
L501	6200002971	S.COL NLV32T-121J
L502	6200002971	S.COL NLV32T-121J
L503	6200003950	S.COL HF50ACC 322513-T
R101	7030003200	S.RES ERJ3GEYJ 100 V (10)
R112	7030003800	S.RES ERJ3GEYJ 105 V (1 M)
R121	7030003440	S.RES ERJ3GEYJ 102 V (1 k)
R122	7030003440	S.RES ERJ3GEYJ 102 V (1 k)
R123	7030003440	S.RES ERJ3GEYJ 102 V (1 k)
R124	7030003440	S.RES ERJ3GEYJ 102 V (1 k)
R125	7030003440	S.RES ERJ3GEYJ 102 V (1 k)
R126	7030003440	S.RES ERJ3GEYJ 102 V (1 k)
R127	7030003360	S.RES ERJ3GEYJ 221 V (220)
R128	7030003440	S.RES ERJ3GEYJ 102 V (1 k)
R129	7030003440	S.RES ERJ3GEYJ 102 V (1 k)
R130	7030003440	S.RES ERJ3GEYJ 102 V (1 k)
R131	7030003440	S.RES ERJ3GEYJ 102 V (1 k)
R141	7030003440	S.RES ERJ3GEYJ 102 V (1 k)
R142	7030003440	S.RES ERJ3GEYJ 102 V (1 k)
R143	7030003440	S.RES ERJ3GEYJ 102 V (1 k)
R144	7030003440	S.RES ERJ3GEYJ 102 V (1 k)
R145	7030003440	S.RES ERJ3GEYJ 102 V (1 k)
R146	7030003440	S.RES ERJ3GEYJ 102 V (1 k)
R147	7030003440	S.RES ERJ3GEYJ 102 V (1 k)
R148	7030003440	S.RES ERJ3GEYJ 102 V (1 k)
R149	7030003440	S.RES ERJ3GEYJ 102 V (1 k)
R150	7030003440	S.RES ERJ3GEYJ 102 V (1 k)
R151	7030003440	S.RES ERJ3GEYJ 102 V (1 k)
R152	7030003440	S.RES ERJ3GEYJ 102 V (1 k)
R153	7030003440	S.RES ERJ3GEYJ 102 V (1 k)
R154	7030003440	S.RES ERJ3GEYJ 102 V (1 k)
R155	7030003440	S.RES ERJ3GEYJ 102 V (1 k)
R161	7030003640	S.RES ERJ3GEYJ 473 V (47 k)
R162	7030003640	S.RES ERJ3GEYJ 473 V (47 k)
R163	7030003640	S.RES ERJ3GEYJ 473 V (47 k)
R171	7030003440	S.RES ERJ3GEYJ 102 V (1 k)
R172	7030003440	S.RES ERJ3GEYJ 102 V (1 k)
R173	7030003440	S.RES ERJ3GEYJ 102 V (1 k)
R174	7030003440	S.RES ERJ3GEYJ 102 V (1 k)
R175	7030003440	S.RES ERJ3GEYJ 102 V (1 k)
R176	7030003440	S.RES ERJ3GEYJ 102 V (1 k)
R177	7030003440	S.RES ERJ3GEYJ 102 V (1 k)
R178	7030003440	S.RES ERJ3GEYJ 102 V (1 k)
R179	7030003440	S.RES ERJ3GEYJ 102 V (1 k)
R191	7030003440	S.RES ERJ3GEYJ 102 V (1 k)
R192	7030003440	S.RES ERJ3GEYJ 102 V (1 k)
R193	7030003440	S.RES ERJ3GEYJ 102 V (1 k)
R194	7030003440	S.RES ERJ3GEYJ 102 V (1 k)
R195	7030003440	S.RES ERJ3GEYJ 102 V (1 k)
R196	7030003440	S.RES ERJ3GEYJ 102 V (1 k)
R197	7030003440	S.RES ERJ3GEYJ 102 V (1 k)
R198	7030003680	S.RES ERJ3GEYJ 104 V (100 k)
R201	7030003440	S.RES ERJ3GEYJ 102 V (1 k)
R202	7030003440	S.RES ERJ3GEYJ 102 V (1 k)
R203	7030003440	S.RES ERJ3GEYJ 102 V (1 k)
R204	7030003440	S.RES ERJ3GEYJ 102 V (1 k)
R205	7030003440	S.RES ERJ3GEYJ 102 V (1 k)
R206	7030003440	S.RES ERJ3GEYJ 102 V (1 k)
R208	7030003440	S.RES ERJ3GEYJ 102 V (1 k)
R209	7030003440	S.RES ERJ3GEYJ 102 V (1 k)
R210	7030003440	S.RES ERJ3GEYJ 102 V (1 k)
R211	7030003440	S.RES ERJ3GEYJ 102 V (1 k)
R221	7030003400	S.RES ERJ3GEYJ 471 V (470)
R223	7030003560	S.RES ERJ3GEYJ 103 V (10 k)
R224	7030003560	S.RES ERJ3GEYJ 103 V (10 k)
R225	7030003560	S.RES ERJ3GEYJ 103 V (10 k)
R231	7030003680	S.RES ERJ3GEYJ 104 V (100 k)
R251	7030003540	S.RES ERJ3GEYJ 682 V (6.8 k)
R252	7030003540	S.RES ERJ3GEYJ 682 V (6.8 k)

[LOGIC BOARD]

REF NO.	ORDER NO.	DESCRIPTION
R253	7030003540	S.RES ERJ3GEYJ 682 V (6.8 k)
R254	7030003540	S.RES ERJ3GEYJ 682 V (6.8 k)
R255	7030003540	S.RES ERJ3GEYJ 682 V (6.8 k)
R256	7030003540	S.RES ERJ3GEYJ 682 V (6.8 k)
R257	7030003540	S.RES ERJ3GEYJ 682 V (6.8 k)
R258	7030003540	S.RES ERJ3GEYJ 682 V (6.8 k)
R259	7030003540	S.RES ERJ3GEYJ 682 V (6.8 k)
R260	7030003540	S.RES ERJ3GEYJ 682 V (6.8 k)
R261	7030003540	S.RES ERJ3GEYJ 682 V (6.8 k)
R262	7030003540	S.RES ERJ3GEYJ 682 V (6.8 k)
R271	7030003640	S.RES ERJ3GEYJ 473 V (47 k)
R272	7030003640	S.RES ERJ3GEYJ 473 V (47 k)
R273	7030003640	S.RES ERJ3GEYJ 473 V (47 k)
R274	7030003640	S.RES ERJ3GEYJ 473 V (47 k)
R275	7030003640	S.RES ERJ3GEYJ 473 V (47 k)
R276	7030003640	S.RES ERJ3GEYJ 473 V (47 k)
R277	7030003640	S.RES ERJ3GEYJ 473 V (47 k)
R278	7030003640	S.RES ERJ3GEYJ 473 V (47 k)
R279	7030003640	S.RES ERJ3GEYJ 473 V (47 k)
R280	7030003640	S.RES ERJ3GEYJ 473 V (47 k)
R281	7030003640	S.RES ERJ3GEYJ 473 V (47 k)
R282	7030003640	S.RES ERJ3GEYJ 473 V (47 k)
R283	7030003640	S.RES ERJ3GEYJ 473 V (47 k)
R284	7030003640	S.RES ERJ3GEYJ 473 V (47 k)
R285	7030003640	S.RES ERJ3GEYJ 473 V (47 k)
R286	7030003640	S.RES ERJ3GEYJ 473 V (47 k)
R287	7030003640	S.RES ERJ3GEYJ 473 V (47 k)
R288	7030003640	S.RES ERJ3GEYJ 473 V (47 k)
R289	7030003640	S.RES ERJ3GEYJ 473 V (47 k)
R290	7030003640	S.RES ERJ3GEYJ 473 V (47 k)
R291	7030003640	S.RES ERJ3GEYJ 473 V (47 k)
R292	7030003640	S.RES ERJ3GEYJ 473 V (47 k)
R335	7030003640	S.RES ERJ3GEYJ 473 V (47 k)
R351	7030003540	S.RES ERJ3GEYJ 682 V (6.8 k)
R352	7030003540	S.RES ERJ3GEYJ 682 V (6.8 k)
R361	7030003720	S.RES ERJ3GEYJ 224 V (220 k)
R362	7030003720	S.RES ERJ3GEYJ 224 V (220 k)
R381	7030009720	S.RES ERJ12VJ102U (1 k)
R382	7030003640	S.RES ERJ3GEYJ 473 V (47 k)
R391	7030003630	S.RES ERJ3GEYJ 393 V (39 k)
R392	7030003650	S.RES ERJ3GEYJ 563 V (56 k)
R393	7030003640	S.RES ERJ3GEYJ 473 V (47 k)
R394	7030003440	S.RES ERJ3GEYJ 102 V (1 k)
R395	7030003760	S.RES ERJ3GEYJ 474 V (470 k)
R396	7030003720	S.RES ERJ3GEYJ 224 V (220 k)
R397	7030003720	S.RES ERJ3GEYJ 224 V (220 k)
R398	7030003680	S.RES ERJ3GEYJ 104 V (100 k)
R399	7030003560	S.RES ERJ3GEYJ 103 V (10 k)
R401	7030003620	S.RES ERJ3GEYJ 333 V (33 k)
R402	7030003540	S.RES ERJ3GEYJ 682 V (6.8 k)
R403	7030003680	S.RES ERJ3GEYJ 104 V (100 k)
R404	7030003580	S.RES ERJ3GEYJ 153 V (15 k)
R405	7030003680	S.RES ERJ3GEYJ 104 V (100 k)
R421	7030003400	S.RES ERJ3GEYJ 471 V (470)
R422	7030003680	S.RES ERJ3GEYJ 104 V (100 k)
R423	7030003560	S.RES ERJ3GEYJ 103 V (10 k)
R511	7030003840	S.RES ERJ3GEYJ 225 V (2.2 M)
R512	7030003560	S.RES ERJ3GEYJ 103 V (10 k)
R513	7030003630	S.RES ERJ3GEYJ 393 V (39 k)
R514	7030003540	S.RES ERJ3GEYJ 682 V (6.8 k)
C101	4030008630	S.CER C1608 JF 1H 104Z-T
C102	4030008630	S.CER C1608 JF 1H 104Z-T
C103	4550006250	S.TAN TEESVA 1A 106M8R
C104	4030008630	S.CER C1608 JF 1H 104Z-T
C105	4030008630	S.CER C1608 JF 1H 104Z-T
C111	4030009990	S.CER C1608 CH 1H 200J-T
C112	4030007050	S.CER C1608 CH 1H 220J-T
C113	4030008560	S.CER C1608 CH 1H 300J-T
C114	4030008560	S.CER C1608 CH 1H 300J-T
C201	4030008630	S.CER C1608 JF 1H 104Z-T
C202	4030008630	S.CER C1608 JF 1H 104Z-T
C203	4030008630	S.CER C1608 JF 1H 104Z-T
C204	4030008630	S.CER C1608 JF 1H 104Z-T
C205	4030008630	S.CER C1608 JF 1H 104Z-T
C206	4030008630	S.CER C1608 JF 1H 104Z-T
C221	4030008630	S.CER C1608 JF 1H 104Z-T
C231	4030008630	S.CER C1608 JF 1H 104Z-T
C251	4030008630	S.CER C1608 JF 1H 104Z-T
C252	4030008630	S.CER C1608 JF 1H 104Z-T
C253	4030008630	S.CER C1608 JF 1H 104Z-T
C254	4030008630	S.CER C1608 JF 1H 104Z-T
C255	4030008630	S.CER C1608 JF 1H 104Z-T
C256	4030008630	S.CER C1608 JF 1H 104Z-T
C351	4030008630	S.CER C1608 JF 1H 104Z-T
C352	4510008660	S.ELE EEEOJA220SR
C392	4030013720	S.CER GRM188B1A224KA01D (GRM39 B)
C393	4030013720	S.CER GRM188B1A224KA01D (GRM39 B)
C394	4030007050	S.CER C1608 CH 1H 220J-T
C395	4030008630	S.CER C1608 JF 1H 104Z-T
C401	4030008630	S.CER C1608 JF 1H 104Z-T
C451	4030008630	S.CER C1608 JF 1H 104Z-T
C452	4030008630	S.CER C1608 JF 1H 104Z-T
C453	4030008630	S.CER C1608 JF 1H 104Z-T
C454	4030008630	S.CER C1608 JF 1H 104Z-T
C461	4030008630	S.CER C1608 JF 1H 104Z-T
C502	4030008630	S.CER C1608 JF 1H 104Z-T

S.=Surface mount

[LOGIC BOARD]

REF NO.	ORDER NO.	DESCRIPTION	
C503 C505	4030008630 4030008630	S.CER	C1608 JF 1H 104Z-T
		S.CER	C1608 JF 1H 104Z-T
J411	6510019981	S.CNR	52808-1671 (1690)
J451	6510019971	S.CNR	52808-1071
J461	6510018971	S.CNR	B4B-PH-SM4-TB (LF) (SN)
J471	6510019971	S.CNR	52808-1071
J491	6510018961	S.CNR	B2B-PH-SM4-TB (LF) (SN)
J501	6510019981	S.CNR	52808-1671 (1690)
J521	6510019981	S.CNR	52808-1671 (1690)
J541	6510019981	S.CNR	52808-1671 (1690)
W161	7030003860	S.RES	ERJ3GE JPW V [DEN], [SEA] only
W162	7030003860	S.RES	ERJ3GE JPW V [SEA] only
W163	7030003860	S.RES	ERJ3GE JPW V [DEN], [SEA] only
W401	7030003860	S.RES	ERJ3GE JPW V
EP501	6910012350	S.BEA	MMZ1608Y 102BT
EP502	6910012350	S.BEA	MMZ1608Y 102BT
EP521	6910012350	S.BEA	MMZ1608Y 102BT
EP522	6910012350	S.BEA	MMZ1608Y 102BT
EP523	6910012350	S.BEA	MMZ1608Y 102BT
EP524	6910012350	S.BEA	MMZ1608Y 102BT
EP525	6910012350	S.BEA	MMZ1608Y 102BT
EP526	6910012350	S.BEA	MMZ1608Y 102BT
EP527	6910012350	S.BEA	MMZ1608Y 102BT

[MAIN UNIT]

REF NO.	ORDER NO.	DESCRIPTION	
IC391	1110003970	S.IC	uPC1658G-E1
IC551	1130007570	S.IC	BU4094BCFV-E2
IC552	1130007570	S.IC	BU4094BCFV-E2
IC561	1160000131	S.IC	TD62783AFG (S,EL)
IC562	1160000131	S.IC	TD62783AFG (S,EL)
IC731	1110003141	IC	LA1150N-E
IC811	1110002601	S.IC	MC1496DR2G
IC1001	1110003201	S.IC	TA31136FNG (EL)
IC1101	1110002601	S.IC	MC1496DR2G
IC1201	1130009100	S.IC	BU4052BCFV-E2
IC1211	1110003870	S.IC	NJM2058M-TE1-#ZZZB
IC1251	1110003300	S.IC	M5282FP 70CD
IC1281	1130009100	S.IC	BU4052BCFV-E2
IC1291	1110003091	IC	LA4425A-E
IC1361	1180000970	S.IC	AN78L05M-(E1)
IC1371	1180001531	IC	PQ30RV31J00H
IC1391	1180001251	S.IC	TA7808F (TE16L,Q)
IC1401	1180001071	S.IC	TA7805F (TE16L,Q)
IC1411	1110001401	S.IC	uPC1555G2-E1-A
IC1601	1130007570	S.IC	BU4094BCFV-E2
IC1602	1130007570	S.IC	BU4094BCFV-E2
IC1603	1160000131	S.IC	TD62783AFG (S,EL)
IC1751	1120002510	S.IC	DS14C232TM
IC1771	1130005721	S.IC	TC7W04F (TE12L,F)
IC2001	1110004940	S.IC	MC13022ADWR3 except [USA-1], [OTH-1], [CHN]
Q151	1590000680	S.TR	DTC114EUA T106
Q381	1560000721	S.FET	2SK2171-4-TD-E
Q382	1560000721	S.FET	2SK2171-4-TD-E
Q383	1590001960	S.TR	XP4311 (TX)
Q391	1590001960	S.TR	XP4311 (TX)
Q411	1530003151	S.TR	2SC4673D-TD-E
Q441	1560000641	S.FET	2SK1740-4/5-TB-E
Q442	1560000641	S.FET	2SK1740-4/5-TB-E
Q471	1580000620	S.FET	3SK131-T2 MAS
Q472	1590001960	S.TR	XP4311 (TX)
Q721	1580000620	S.FET	3SK131-T2 MAS
Q731	1560000561	S.FET	2SK882-GR (TE85L,F)
Q732	1510000510	S.TR	2SA1576A T106R
Q733	1530002060	S.TR	2SC4081 T106 R
Q734	1530002060	S.TR	2SC4081 T106 R
Q735	1530002060	S.TR	2SC4081 T106 R
Q736	1590000680	S.TR	DTC114EUA T106
Q737	1590001960	S.TR	XP4311 (TX)
Q801	1530002060	S.TR	2SC4081 T106 R
Q891	1580000620	S.FET	3SK131-T2 MAS
Q911	1560000561	S.FET	2SK882-GR (TE85L,F)
Q912	1530002060	S.TR	2SC4081 T106 R
Q1001	1560000561	S.FET	2SK882-GR (TE85L,F)
Q1031	1530002060	S.TR	2SC4081 T106 R
Q1051	1530002060	S.TR	2SC4081 T106 R
Q1061	1590001960	S.TR	XP4311 (TX)
Q1063	1530002060	S.TR	2SC4081 T106 R
Q1064	1590001960	S.TR	XP4311 (TX)
Q1065	1590001960	S.TR	XP4311 (TX)
Q1066	1590001960	S.TR	XP4311 (TX)
Q1311	1530002060	S.TR	2SC4081 T106 R
Q1381	1540000550	S.TR	2SD1664 T100Q
Q1382	1590000680	S.TR	DTC114EUA T106
Q1771	1510000510	S.TR	2SA1576A T106R
Q1772	1530002060	S.TR	2SC4081 T106 R
Q2021	1530003091	S.TR	2SC4213-B (TE85R,F) [AUS], [DEN] only
D141	1750000461	S.DIO	1SV246-TL-E
D142	1750000461	S.DIO	1SV246-TL-E
D151	1750000971	S.DIO	CPH5513-TL-E
D172	1790000620	S.DIO	MA77 (TX)
D181	1750000971	S.DIO	CPH5513-TL-E
D182	1790000620	S.DIO	MA77 (TX)
D202	1790000620	S.DIO	MA77 (TX)
D221	1750000971	S.DIO	CPH5513-TL-E
D222	1790000620	S.DIO	MA77 (TX)
D242	1790000620	S.DIO	MA77 (TX)
D261	1750000971	S.DIO	CPH5513-TL-E
D262	1790000620	S.DIO	MA77 (TX)
D282	1790000620	S.DIO	MA77 (TX)
D301	1750000971	S.DIO	CPH5513-TL-E
D302	1790000620	S.DIO	MA77 (TX)
D322	1790000620	S.DIO	MA77 (TX)
D341	1750000441	S.DIO	1SV263-TL-E
D342	1790000620	S.DIO	MA77 (TX)
D371	1790000620	S.DIO	MA77 (TX)
D372	1790000620	S.DIO	MA77 (TX)
D381	1790000620	S.DIO	MA77 (TX)
D382	1790000620	S.DIO	MA77 (TX)
D391	1790000620	S.DIO	MA77 (TX)
D392	1790000620	S.DIO	MA77 (TX)
D491	1750000431	S.DIO	HSB88WSTR-E
D711	1790000620	S.DIO	MA77 (TX)
D712	1790000620	S.DIO	MA77 (TX)
D713	1790000620	S.DIO	MA77 (TX)
D714	1790000620	S.DIO	MA77 (TX)
D731	1790001211	S.DIO	1SS375-TL-E
D732	1750000550	S.DIO	1SS355 TE-17
D761	1790000620	S.DIO	MA77 (TX)
D762	1790000620	S.DIO	MA77 (TX)
D763	1790000620	S.DIO	MA77 (TX)
D764	1790000620	S.DIO	MA77 (TX)
D771	1790000620	S.DIO	MA77 (TX)
D772	1790000620	S.DIO	MA77 (TX)
D773	1790000620	S.DIO	MA77 (TX)
D774	1790000620	S.DIO	MA77 (TX)

S.=Surface mount

[MAIN UNIT]

REF NO.	ORDER NO.	DESCRIPTION	
D781	1790000620	S.DIO	MA77 (TX)
D782	1790000620	S.DIO	MA77 (TX)
D783	1790000620	S.DIO	MA77 (TX)
D784	1790000620	S.DIO	MA77 (TX)
D831	1750000301	S.DIO	1SS302 (TE85R,F)
D851	1790000620	S.DIO	MA77 (TX)
D852	1790000620	S.DIO	MA77 (TX)
D861	1790000620	S.DIO	MA77 (TX)
D862	1790000620	S.DIO	MA77 (TX)
D871	1790000620	S.DIO	MA77 (TX)
D872	1790000620	S.DIO	MA77 (TX)
D881	1790000620	S.DIO	MA77 (TX)
D882	1790000620	S.DIO	MA77 (TX)
D1041	1790001211	S.DIO	1SS375-TL-E [USA-1], [OTH-1] only
D1051	1790001211	S.DIO	1SS375-TL-E
D1061	1790001211	S.DIO	1SS375-TL-E
D1311	1750000550	S.DIO	1SS355 TE-17
D1351	1790000700	DIO	DSA3A1
D1371	1750000550	S.DIO	1SS355 TE-17
D1381	1750000301	S.DIO	1SS302 (TE85R,F)
D1412	1750000301	S.DIO	1SS302 (TE85R,F)
D1413	1730002320	S.ZEN	MA8051-M (TX)
D1771	1750000550	S.DIO	1SS355 TE-17
FI461	2010002090	FIL	FL-261 (69.0115 MHz)
FI701	2010000270	FIL	9M15A (FL-23)
FI761	2010002130	D.FIL	FL-272 (9.0115 MHz)
FI851	2020000210	CER	CFJ455K5 (FL-65)
FI861	2020001460	CER	CFWLA450KHFA-B0 (CFWS450HT)
FI871	2020001210	CER	CFWLA450KEFA-B0 (CFWS450E)
X1001	6070000200	DCR	CDBLA450KAY24-B0 (CDB450C24)
X2021	6060000721	CER	CSALF3M60GZZF03-B0 [AUS], [DEN] only
L101	6140002070	COL	LR-233
L131	6200003431	S.COL	NLV32T-R10J
L132	6200003421	S.COL	NLV32T-R15J
L151	6200005491	S.COL	NLV32T-331J
L161	6200005491	S.COL	NLV32T-331J
L162	6200008790	S.COL	ACL3225S-4R7K-T
L163	6200008800	S.COL	ACL3225S-5R6K-T
L171	6200005491	S.COL	NLV32T-331J
L172	6200002961	S.COL	NLV32T-4R7J
L173	6200003111	S.COL	NLV32T-6R8J
L181	6200005491	S.COL	NLV32T-331J
L182	6200003091	S.COL	NLV32T-2R7J
L183	6200003101	S.COL	NLV32T-3R9J
L184	6200005491	S.COL	NLV32T-331J
L201	6200005491	S.COL	NLV32T-331J
L202	6200002991	S.COL	NLV32T-2R2J
L203	6200002991	S.COL	NLV32T-2R2J
L204	6200003321	S.COL	NLV32T-3R3J
L205	6200002961	S.COL	NLV32T-4R7J
L221	6200003241	S.COL	NLV32T-221J
L222	6200003081	S.COL	NLV32T-1R8J
L223	6200003061	S.COL	NLV32T-1R2J
L224	6200003071	S.COL	NLV32T-1R5J
L225	6200003071	S.COL	NLV32T-1R5J
L241	6200003241	S.COL	NLV32T-221J
L242	6200003061	S.COL	NLV32T-1R2J
L243	6200003331	S.COL	NLV32T-1R0J
L244	6200003331	S.COL	NLV32T-1R0J
L245	6200003081	S.COL	NLV32T-1R8J
L261	6200003241	S.COL	NLV32T-221J
L262	6200003251	S.COL	NLV32T-R39J
L263	6200002981	S.COL	NLV32T-R56J
L264	6200003041	S.COL	NLV32T-R68J
L265	6200003331	S.COL	NLV32T-1R0J
L281	6200001831	S.COL	NLV32T-100J
L282	6200003021	S.COL	NLV32T-R33J
L283	6200003251	S.COL	NLV32T-R39J
L284	6200003031	S.COL	NLV32T-R47J
L285	6200003031	S.COL	NLV32T-R47J
L301	6200001831	S.COL	NLV32T-100J
L302	6200003021	S.COL	NLV32T-R33J
L303	6200003011	S.COL	NLV32T-R27J
L304	6200003021	S.COL	NLV32T-R33J
L305	6200003031	S.COL	NLV32T-R47J
L321	6200001831	S.COL	NLV32T-100J
L322	6200003001	S.COL	NLV32T-R22J
L323	6200003421	S.COL	NLV32T-R15J
L324	6180002961	S.COL	NLV32T-R18J
L325	6200003001	S.COL	NLV32T-R22J
L326	6200003001	S.COL	NLV32T-R22J
L341	6200001831	S.COL	NLV32T-100J
L342	6200001471	S.COL	NLV32T-R12J
L343	6200003421	S.COL	NLV32T-R15J
L345	6200003421	S.COL	NLV32T-R15J
L346	6200001471	S.COL	NLV32T-R12J
L361	6200005491	S.COL	NLV32T-331J
L362	6200005491	S.COL	NLV32T-331J
L371	6200003241	S.COL	NLV32T-221J
L381	6140000640	COL	LR-86
L382	6200003071	S.COL	NLV32T-1R5J
L383	6140001500	COL	LR-171
L384	6200005491	S.COL	NLV32T-331J
L385	6170000291	COL	LW-30-LF
L391	6200003241	S.COL	NLV32T-221J
L392	6200003241	S.COL	NLV32T-221J
L401	6200005491	S.COL	NLV32T-331J
L411	6200003001	S.COL	NLV32T-R22J

[MAIN UNIT]

REF NO.	ORDER NO.	DESCRIPTION	
L412	6200003021	S.COL	NLV32T-R33J
L413	6200001831	S.COL	NLV32T-100J
L421	6200003431	S.COL	NLV32T-R10J
L422	6200003421	S.COL	NLV32T-R15J
L431	6200003431	S.COL	NLV32T-R10J
L432	6200003421	S.COL	NLV32T-R15J
L441	6140001500	COL	LR-171
L442	6200003431	S.COL	NLV32T-R10J
L443	6150004270	COL	LS-483A (C-14924)
L444	6200001831	S.COL	NLV32T-100J
L461	6150004270	COL	LS-483A (C-14924)
L462	6150004270	COL	LS-483A (C-14924)
L471	6150004280	COL	LS-484B (C-14927)
L491	6140002810	S.COL	LR-317 (
L492	6140002810	S.COL	LR-317 (
L701	6150000711	COL	LS-452
L711	6150000711	COL	LS-452
L712	6150000711	COL	LS-452
L721	6200001831	S.COL	NLV32T-100J
L731	6150004050	COL	LS-466
L732	6150004050	COL	LS-466
L733	6200003241	S.COL	NLV32T-221J
L891	6150002291	COL	LS-450
L892	6150002291	COL	LS-450
L911	6150002291	COL	LS-450
L1001	6200003241	S.COL	NLV32T-221J
L1291	6170000140	COL	LW-15
L1311	6200003241	S.COL	NLV32T-221J
L1321	6200003950	S.COL	HF50ACC 322513-T
L1322	6200003950	S.COL	HF50ACC 322513-T
L1411	6200003241	S.COL	NLV32T-221J
L1412	6200005491	S.COL	NLV32T-331J
L1771	6200003241	S.COL	NLV32T-221J
L2011	6200005491	S.COL	NLV32T-331J
L2041	6200003241	S.COL	NLV32T-221J
R101	7030003640	S.RES	ERJ3GEYJ 473 V (47 k)
R102	7540000090	ABS	DSP-201M-S00B
R111	7030003640	S.RES	ERJ3GEYJ 473 V (47 k)
R112	7540000090	ABS	DSP-201M-S00B
R141	7030003480	S.RES	ERJ3GEYJ 222 V (2.2 k)
R142	7030003400	S.RES	ERJ3GEYJ 471 V (470)
R143	7030003380	S.RES	ERJ3GEYJ 331 V (330)
R144	7030003300	S.RES	ERJ3GEYJ 680 V (68)
R151	7030006260	S.RES	ERJ12YJ471U (470)
R152	7030003560	S.RES	ERJ3GEYJ 103 V (10 k)
R171	7030003370	S.RES	ERJ3GEYJ 271 V (270)
R172	7030003230	S.RES	ERJ3GEYJ 180 V (180)
R173	7030003370	S.RES	ERJ3GEYJ 271 V (270)
R174	7030003200	S.RES	ERJ3GEYJ 100 V (10)
R181	7030003320	S.RES	ERJ3GEYJ 101 V (100)
R201	7030003320	S.RES	ERJ3GEYJ 101 V (100)
R221	7030003320	S.RES	ERJ3GEYJ 101 V (100)
R241	7030003320	S.RES	ERJ3GEYJ 101 V (100)
R261	7030003320	S.RES	ERJ3GEYJ 101 V (100)
R281	7030003320	S.RES	ERJ3GEYJ 101 V (100)
R301	7030003320	S.RES	ERJ3GEYJ 101 V (100)
R321	7030003320	S.RES	ERJ3GEYJ 101 V (100)
R341	7030003320	S.RES	ERJ3GEYJ 101 V (100)
R361	7030006260	S.RES	ERJ12YJ471U (470)
R362	7030006260	S.RES	ERJ12YJ471U (470)
R371	7030003320	S.RES	ERJ3GEYJ 101 V (100)
R372	7030003320	S.RES	ERJ3GEYJ 101 V (100)
R381	7030003320	S.RES	ERJ3GEYJ 101 V (100)
R382	7030003280	S.RES	ERJ3GEYJ 470 V (47)
R383	7030003280	S.RES	ERJ3GEYJ 470 V (47)
R384	7030003320	S.RES	ERJ3GEYJ 101 V (100)
R385	7030003320	S.RES	ERJ3GEYJ 101 V (100)
R386	7030003320	S.RES	ERJ3GEYJ 101 V (100)
R391	7030003320	S.RES	ERJ3GEYJ 101 V (100)
R392	7030003400	S.RES	ERJ3GEYJ 471 V (470)
R393	7030003320	S.RES	ERJ3GEYJ 101 V (100)
R394	7030003370	S.RES	ERJ3GEYJ 271 V (270)
R395	7030003230	S.RES	ERJ3GEYJ 180 V (18)
R396	7030003370	S.RES	ERJ3GEYJ 271 V (270)
R401	7030006260	S.RES	ERJ12YJ471U (470)
R411	7030003300	S.RES	ERJ3GEYJ 680 V (68)
R412	7030003520	S.RES	ERJ3GEYJ 472 V (4.7 k)
R413	7030003410	S.RES	ERJ3GEYJ 561 V (560)
R414	7030003200	S.RES	ERJ3GEYJ 100 V (10)
R415	7030003280	S.RES	ERJ3GEYJ 470 V (47)
R442	7030003410	S.RES	ERJ3GEYJ 561 V (560)
R443	7030003410	S.RES	ERJ3GEYJ 561 V (560)
R444	7310005050	S.TRI	RH03ADCS3X (4.7 k)
R445	7030003280	S.RES	ERJ3GEYJ 470 V (47)
R446	7030003560	S.RES	ERJ3GEYJ 103 V (10 k)
R447	7030003280	S.RES	ERJ3GEYJ 470 V (47)
R448	7030003400	S.RES	ERJ3GEYJ 471 V (470)
R449	7030003320	S.RES	ERJ3GEYJ 101 V (100)
R471	7030003760	S.RES	ERJ3GEYJ 474 V (470 k)
R472	7030003280	S.RES	ERJ3GEYJ 470 V (47)
R473	7030003200	S.RES	ERJ3GEYJ 100 V (10)
R474	7030003520	S.RES	ERJ3GEYJ 472 V (4.7 k)
R475	7030003580	S.RES	ERJ3GEYJ 153 V (15 k)
R476	7030003480	S.RES	ERJ3GEYJ 222 V (2.2 k)
R477	7030003340	S.RES	ERJ3GEYJ 151 V (150)
R478	7030003480	S.RES	ERJ3GEYJ 222 V (2.2 k)
R479	7030003280	S.RES	ERJ3GEYJ 470 V (47)
R491	7030003370	S.RES	ERJ3GEYJ 271 V (270)
R492	7030003230	S.RES	ERJ3GEYJ 180 V (18)
R493	7030003370	S.RES	ERJ3GEYJ 271 V (270)
R563	7030003640	S.RES	ERJ3GEYJ 473 V (47 k)
R564	7030003640	S.RES	ERJ3GEYJ 473 V (47 k)

except [USA-1], [OTH-1]

[AUS], [DEN] only
[AUS], [DEN] only

S.=Surface mount

[MAIN UNIT]

REF NO.	ORDER NO.	DESCRIPTION
R565	7030003640	S.RES ERJ3GEYJ 473 V (47 k)
R566	7030003640	S.RES ERJ3GEYJ 473 V (47 k)
R567	7030003640	S.RES ERJ3GEYJ 473 V (47 k)
R568	7030003640	S.RES ERJ3GEYJ 473 V (47 k)
R569	7030003640	S.RES ERJ3GEYJ 473 V (47 k)
R570	7030003640	S.RES ERJ3GEYJ 473 V (47 k)
R571	7030003200	S.RES ERJ3GEYJ 100 V (10)
R572	7030003200	S.RES ERJ3GEYJ 100 V (10)
R573	7030003200	S.RES ERJ3GEYJ 100 V (10)
R574	7030003200	S.RES ERJ3GEYJ 100 V (10)
R575	7030003200	S.RES ERJ3GEYJ 100 V (10)
R576	7030003200	S.RES ERJ3GEYJ 100 V (10)
R577	7030003200	S.RES ERJ3GEYJ 100 V (10)
R578	7030003200	S.RES ERJ3GEYJ 100 V (10)
R579	7030003640	S.RES ERJ3GEYJ 473 V (47 k)
R580	7030003640	S.RES ERJ3GEYJ 473 V (47 k)
R583	7030003640	S.RES ERJ3GEYJ 473 V (47 k)
R587	7030003200	S.RES ERJ3GEYJ 100 V (10)
R588	7030003200	S.RES ERJ3GEYJ 100 V (10)
R589	7030003200	S.RES ERJ3GEYJ 100 V (10)
R590	7030003200	S.RES ERJ3GEYJ 100 V (10)
R591	7030003200	S.RES ERJ3GEYJ 100 V (10)
R592	7030003200	S.RES ERJ3GEYJ 100 V (10)
R593	7030003200	S.RES ERJ3GEYJ 100 V (10)
R711	7030003480	S.RES ERJ3GEYJ 222 V (2.2 k)
R712	7030003480	S.RES ERJ3GEYJ 222 V (2.2 k)
R713	7030003360	S.RES ERJ3GEYJ 221 V (220)
R721	7030003520	S.RES ERJ3GEYJ 472 V (4.7 k)
R722	7030003610	S.RES ERJ3GEYJ 273 V (27 k)
R723	7030003760	S.RES ERJ3GEYJ 474 V (470 k)
R724	7030003340	S.RES ERJ3GEYJ 151 V (150)
R725	7030003320	S.RES ERJ3GEYJ 101 V (100)
R731	7030003680	S.RES ERJ3GEYJ 104 V (100 k)
R732	7030003520	S.RES ERJ3GEYJ 472 V (4.7 k)
R733	7030003320	S.RES ERJ3GEYJ 101 V (100)
R734	7030003320	S.RES ERJ3GEYJ 101 V (100)
R735	7030003600	S.RES ERJ3GEYJ 223 V (22 k)
R736	7310005020	S.TRI RH03ADC14X (10 k)
R737	7030003640	S.RES ERJ3GEYJ 473 V (47 k)
R738	7030003640	S.RES ERJ3GEYJ 473 V (47 k)
R739	7030003640	S.RES ERJ3GEYJ 473 V (47 k)
R740	7030003440	S.RES ERJ3GEYJ 102 V (1 k)
R741	7030003520	S.RES ERJ3GEYJ 472 V (4.7 k)
R742	7030003320	S.RES ERJ3GEYJ 101 V (100)
R743	7030003640	S.RES ERJ3GEYJ 473 V (47 k)
R744	7030003520	S.RES ERJ3GEYJ 472 V (4.7 k)
R745	7030003680	S.RES ERJ3GEYJ 104 V (100 k)
R746	7030003540	S.RES ERJ3GEYJ 682 V (6.8 k)
R747	7030003440	S.RES ERJ3GEYJ 102 V (1 k)
R748	7030003400	S.RES ERJ3GEYJ 471 V (470)
R749	7030003600	S.RES ERJ3GEYJ 223 V (22 k)
R750	7030003440	S.RES ERJ3GEYJ 102 V (1 k)
R751	7030003280	S.RES ERJ3GEYJ 470 V (47)
R761	7030003480	S.RES ERJ3GEYJ 222 V (2.2 k)
R762	7030003360	S.RES ERJ3GEYJ 221 V (220)
R763	7030003360	S.RES ERJ3GEYJ 221 V (220)
R764	7030003480	S.RES ERJ3GEYJ 222 V (2.2 k)
R765	7030003560	S.RES ERJ3GEYJ 103 V (10 k)
R771	7030003480	S.RES ERJ3GEYJ 222 V (2.2 k)
R772	7030003360	S.RES ERJ3GEYJ 221 V (220)
R773	7030003360	S.RES ERJ3GEYJ 221 V (220)
R774	7030003480	S.RES ERJ3GEYJ 222 V (2.2 k)
R775	7030003560	S.RES ERJ3GEYJ 103 V (10 k)
R781	7030003480	S.RES ERJ3GEYJ 222 V (2.2 k)
R782	7030003360	S.RES ERJ3GEYJ 221 V (220)
R783	7030003360	S.RES ERJ3GEYJ 221 V (220)
R784	7030003480	S.RES ERJ3GEYJ 222 V (2.2 k)
R785	7030003560	S.RES ERJ3GEYJ 103 V (10 k)
R791	7030003480	S.RES ERJ3GEYJ 222 V (2.2 k)
R792	7030003520	S.RES ERJ3GEYJ 472 V (4.7 k)
R793	7030003480	S.RES ERJ3GEYJ 222 V (2.2 k)
R794	7030003480	S.RES ERJ3GEYJ 222 V (2.2 k)
R795	7030003520	S.RES ERJ3GEYJ 472 V (4.7 k)
R796	7030003480	S.RES ERJ3GEYJ 222 V (2.2 k)
R801	7030003440	S.RES ERJ3GEYJ 102 V (1 k)
R802	7030003320	S.RES ERJ3GEYJ 101 V (100)
R811	7030003460	S.RES ERJ3GEYJ 152 V (1.5 k)
R812	7030003400	S.RES ERJ3GEYJ 471 V (470)
R813	7030003400	S.RES ERJ3GEYJ 471 V (470)
R814	7030003500	S.RES ERJ3GEYJ 332 V (3.3 k)
R815	7030003500	S.RES ERJ3GEYJ 332 V (3.3 k)
R816	7030003490	S.RES ERJ3GEYJ 272 V (2.7 k)
R817	7030003490	S.RES ERJ3GEYJ 272 V (2.7 k)
R818	7030003490	S.RES ERJ3GEYJ 272 V (2.7 k)
R819	7030003440	S.RES ERJ3GEYJ 102 V (1 k)
R820	7030003440	S.RES ERJ3GEYJ 102 V (1 k)
R821	7030003500	S.RES ERJ3GEYJ 332 V (3.3 k)
R822	7030003200	S.RES ERJ3GEYJ 100 V (10)
R823	7030003200	S.RES ERJ3GEYJ 100 V (10)
R824	7030003360	S.RES ERJ3GEYJ 221 V (220)
R825	7510001480	S.TMR NTCG10 3NH 681JT
R831	7030004710	S.RES ERJ3GEYJ 475 V (4.7 M)
R832	7030004710	S.RES ERJ3GEYJ 475 V (4.7 M)
R833	7030004710	S.RES ERJ3GEYJ 475 V (4.7 M)
R834	7030004710	S.RES ERJ3GEYJ 475 V (4.7 M)
R835	7030003820	S.RES ERJ3GEYJ 155 V (1.5 M)
R836	7030003520	S.RES ERJ3GEYJ 472 V (4.7 k)
R841	7030003560	S.RES ERJ3GEYJ 103 V (10 k)
R851	7030003560	S.RES ERJ3GEYJ 103 V (10 k)
R852	7030003360	S.RES ERJ3GEYJ 221 V (220)
R853	7030003360	S.RES ERJ3GEYJ 221 V (220)
R854	7030003560	S.RES ERJ3GEYJ 103 V (10 k)
R855	7030003560	S.RES ERJ3GEYJ 103 V (10 k)
R861	7030003560	S.RES ERJ3GEYJ 103 V (10 k)

[MAIN UNIT]

REF NO.	ORDER NO.	DESCRIPTION
R862	7030003360	S.RES ERJ3GEYJ 221 V (220)
R863	7030003360	S.RES ERJ3GEYJ 221 V (220)
R864	7030003560	S.RES ERJ3GEYJ 103 V (10 k)
R865	7030003560	S.RES ERJ3GEYJ 103 V (10 k)
R871	7030003510	S.RES ERJ3GEYJ 392 V (3.9 k)
R872	7030003360	S.RES ERJ3GEYJ 221 V (220)
R873	7030003360	S.RES ERJ3GEYJ 221 V (220)
R874	7030003510	S.RES ERJ3GEYJ 392 V (3.9 k)
R875	7030003560	S.RES ERJ3GEYJ 103 V (10 k)
R881	7030003510	S.RES ERJ3GEYJ 392 V (3.9 k)
R882	7030003360	S.RES ERJ3GEYJ 221 V (220)
R883	7030003360	S.RES ERJ3GEYJ 221 V (220)
R884	7030003510	S.RES ERJ3GEYJ 392 V (3.9 k)
R885	7030003560	S.RES ERJ3GEYJ 103 V (10 k)
R891	7030003560	S.RES ERJ3GEYJ 103 V (10 k)
R892	7030003320	S.RES ERJ3GEYJ 101 V (100)
R893	7030003480	S.RES ERJ3GEYJ 222 V (2.2 k)
R894	7030003600	S.RES ERJ3GEYJ 223 V (22 k)
R895	7030003380	S.RES ERJ3GEYJ 331 V (330)
R896	7030003500	S.RES ERJ3GEYJ 332 V (3.3 k)
R897	7030003320	S.RES ERJ3GEYJ 101 V (100)
R898	7310005020	S.TRI RH03ADC14X (10 k)
R911	7030003320	S.RES ERJ3GEYJ 101 V (100)
R912	7030003480	S.RES ERJ3GEYJ 222 V (2.2 k)
R913	7030003320	S.RES ERJ3GEYJ 101 V (100)
R914	7030003560	S.RES ERJ3GEYJ 103 V (10 k)
R915	7030003560	S.RES ERJ3GEYJ 103 V (10 k)
R1001	7030003520	S.RES ERJ3GEYJ 472 V (4.7 k)
R1002	7030003320	S.RES ERJ3GEYJ 101 V (100)
R1003	7030003700	S.RES ERJ3GEYJ 154 V (150 k)
R1004	7030003500	S.RES ERJ3GEYJ 332 V (3.3 k)
R1005	7030003720	S.RES ERJ3GEYJ 224 V (220 k)
R1006	7030003460	S.RES ERJ3GEYJ 152 V (1.5 k)
R1007	7030003360	S.RES ERJ3GEYJ 221 V (220)
R1008	7030003720	S.RES ERJ3GEYJ 224 V (220 k)
R1021	7030003560	S.RES ERJ3GEYJ 103 V (10 k)
R1022	7030003630	S.RES ERJ3GEYJ 393 V (39 k)
R1023	7030003660	S.RES ERJ3GEYJ 683 V (68 k)
R1024	7030003640	S.RES ERJ3GEYJ 473 V (47 k)
R1031	7030003360	S.RES ERJ3GEYJ 221 V (220)
R1032	7030003720	S.RES ERJ3GEYJ 224 V (220 k)
R1033	7030003440	S.RES ERJ3GEYJ 102 V (1 k)
R1041	7030003440	S.RES ERJ3GEYJ 102 V (1 k)
R1042	7030003680	S.RES ERJ3GEYJ 104 V (100 k)
R1043	7030003440	S.RES ERJ3GEYJ 102 V (1 k)
R1044	7030003660	S.RES ERJ3GEYJ 683 V (68 k)
R1045	7030003640	S.RES ERJ3GEYJ 473 V (47 k)
R1051	7030003490	S.RES ERJ3GEYJ 272 V (2.7 k)
R1052	7030003520	S.RES ERJ3GEYJ 472 V (4.7 k)
R1053	7030003400	S.RES ERJ3GEYJ 471 V (470)
R1061	7030003680	S.RES ERJ3GEYJ 104 V (100 k)
R1062	7030003600	S.RES ERJ3GEYJ 223 V (22 k)
R1063	7030003440	S.RES ERJ3GEYJ 102 V (1 k)
R1064	7030003780	S.RES ERJ3GEYJ 684 V (680 k)
R1065	7030003520	S.RES ERJ3GEYJ 472 V (4.7 k)
R1066	7030003600	S.RES ERJ3GEYJ 223 V (22 k)
R1067	7030003740	S.RES ERJ3GEYJ 334 V (330 k)
R1068	7030003560	S.RES ERJ3GEYJ 103 V (10 k)
R1081	7030003360	S.RES ERJ3GEYJ 221 V (220)
R1082	7030003440	S.RES ERJ3GEYJ 102 V (1 k)
R1084	7030003640	S.RES ERJ3GEYJ 473 V (47 k)
R1101	7030003440	S.RES ERJ3GEYJ 102 V (1 k)
R1102	7030003460	S.RES ERJ3GEYJ 152 V (1.5 k)
R1103	7030003440	S.RES ERJ3GEYJ 102 V (1 k)
R1104	7030003500	S.RES ERJ3GEYJ 332 V (3.3 k)
R1105	7030003480	S.RES ERJ3GEYJ 222 V (2.2 k)
R1106	7030003200	S.RES ERJ3GEYJ 100 V (10)
R1107	7030003460	S.RES ERJ3GEYJ 152 V (1.5 k)
R1108	7030003440	S.RES ERJ3GEYJ 102 V (1 k)
R1109	7030003440	S.RES ERJ3GEYJ 102 V (1 k)
R1110	7030003480	S.RES ERJ3GEYJ 222 V (2.2 k)
R1111	7030003200	S.RES ERJ3GEYJ 100 V (10)
R1201	7030003660	S.RES ERJ3GEYJ 683 V (68 k)
R1202	7030003480	S.RES ERJ3GEYJ 222 V (2.2 k)
R1203	7030003670	S.RES ERJ3GEYJ 823 V (82 k) [USA-1], [OTH-1 on] only
R1204	7030003640	S.RES ERJ3GEYJ 473 V (47 k)
R1205	7030003640	S.RES ERJ3GEYJ 473 V (47 k) except [USA-1], [OTH-1], [CHN] except [USA-1], [OTH-1], [CHN]
R1211	7030003640	S.RES ERJ3GEYJ 473 V (47 k)
R1212	7030003630	S.RES ERJ3GEYJ 393 V (39 k)
R1213	7030003630	S.RES ERJ3GEYJ 393 V (39 k)
R1214	7030003630	S.RES ERJ3GEYJ 393 V (39 k)
R1215	7030003630	S.RES ERJ3GEYJ 393 V (39 k)
R1231	7030003400	S.RES ERJ3GEYJ 471 V (470)
R1232	7030003400	S.RES ERJ3GEYJ 471 V (470)
R1233	7030003400	S.RES ERJ3GEYJ 471 V (470)
R1234	7030003400	S.RES ERJ3GEYJ 471 V (470)
R1235	7030003400	S.RES ERJ3GEYJ 471 V (470)
R1236	7030003400	S.RES ERJ3GEYJ 471 V (470)
R1251	7030003680	S.RES ERJ3GEYJ 104 V (100 k)
R1252	7030003680	S.RES ERJ3GEYJ 104 V (100 k)
R1253	7030003680	S.RES ERJ3GEYJ 104 V (100 k)
R1254	7310005050	S.TRI RH03ADCS3X (4.7 k)
R1255	7030003400	S.RES ERJ3GEYJ 471 V (470)
R1256	7030003640	S.RES ERJ3GEYJ 473 V (47 k)
R1257	7030003560	S.RES ERJ3GEYJ 103 V (10 k)
R1258	7030003520	S.RES ERJ3GEYJ 472 V (4.7 k)
R1259	7030003520	S.RES ERJ3GEYJ 472 V (4.7 k)
R1260	7030003320	S.RES ERJ3GEYJ 101 V (100)
R1261	7030003480	S.RES ERJ3GEYJ 222 V (2.2 k)
R1262	7030003550	S.RES ERJ3GEYJ 822 V (8.2 k)
R1263	7030003610	S.RES ERJ3GEYJ 273 V (27 k)
R1271	7030003640	S.RES ERJ3GEYJ 473 V (47 k)

[USA-1], [OTH-1] only
[USA-1], [OTH-1] only
[USA-1], [OTH-1] only
[USA-1], [OTH-1] only
[USA-1], [OTH-1] only

[MAIN UNIT]

REF NO.	ORDER NO.	DESCRIPTION	
R1272	7030003440	S.RES	ERJ3GEYJ 102 V (1 k)
R1281	7030003680	S.RES	ERJ3GEYJ 104 V (100 k)
R1291	7030003550	S.RES	ERJ3GEYJ 822 V (8.2 k)
R1292	7030003400	S.RES	ERJ3GEYJ 471 V (470)
R1293	7030003400	S.RES	ERJ3GEYJ 471 V (470)
R1311	7030003520	S.RES	ERJ3GEYJ 472 V (4.7 k)
R1312	7030003620	S.RES	ERJ3GEYJ 333 V (33 k)
R1313	7030003580	S.RES	ERJ3GEYJ 153 V (15 k)
R1314	7030003640	S.RES	ERJ3GEYJ 473 V (47 k)
R1351	7030003200	S.RES	ERJ3GEYJ 100 V (10)
R1371	7030003520	S.RES	ERJ3GEYJ 472 V (4.7 k)
R1372	7030003640	S.RES	ERJ3GEYJ 473 V (47 k)
R1374	7030003520	S.RES	ERJ3GEYJ 472 V (4.7 k)
R1381	7030003280	S.RES	ERJ3GEYJ 470 V (47)
R1382	7030003480	S.RES	ERJ3GEYJ 222 V (2.2 k)
R1401	7070001060	RES	ERG2SJ 120
R1411	7030003320	S.RES	ERJ3GEYJ 101 V (100)
R1412	7030003560	S.RES	ERJ3GEYJ 103 V (10 k)
R1413	7030003680	S.RES	ERJ3GEYJ 104 V (100 k)
R1414	7030003320	S.RES	ERJ3GEYJ 101 V (100)
R1415	7030003320	S.RES	ERJ3GEYJ 101 V (100)
R1416	7030003320	S.RES	ERJ3GEYJ 101 V (100)
R1771	7030003540	S.RES	ERJ3GEYJ 682 V (6.8 k)
R1772	7030003620	S.RES	ERJ3GEYJ 333 V (33 k)
R1773	7030003640	S.RES	ERJ3GEYJ 473 V (47 k)
R1774	7030003580	S.RES	ERJ3GEYJ 153 V (15 k)
R2001	7030003560	S.RES	ERJ3GEYJ 103 V (10 k) except [USA-1], [OTH-1], [CHN]
R2002	7030003360	S.RES	ERJ3GEYJ 221 V (220) except [USA-1], [OTH-1], [CHN]
R2011	7030003560	S.RES	ERJ3GEYJ 103 V (10 k) except [USA-1], [OTH-1], [CHN]
R2012	7030003680	S.RES	ERJ3GEYJ 104 V (100 k) except [USA-1], [OTH-1], [CHN]
R2021	7030003510	S.RES	ERJ3GEYJ 392 V (3.9 k) except [USA-1], [OTH-1], [CHN]
R2022	7030003440	S.RES	ERJ3GEYJ 102 V (1 k) except [USA-1], [OTH-1], [CHN]
R2023	7010006940	RES	PSD1/4 1 K [AUS], [DEN] only
R2031	7030003640	S.RES	ERJ3GEYJ 473 V (47 k) except [USA-1], [OTH-1], [CHN]
R2032	7030003640	S.RES	ERJ3GEYJ 473 V (47 k) except [USA-1], [OTH-1], [CHN]
R2051	7030003640	S.RES	ERJ3GEYJ 473 V (47 k)
C101	4030011600	S.CER	C1608 JB 1E 104K-T
C111	4030010210	S.CER	C3216 JB 1C 105M-T
C121	4030006900	S.CER	C1608 JB 1H 103K-T
C131	4030007070	S.CER	C1608 CH 1H 330J-T
C132	4030007070	S.CER	C1608 CH 1H 330J-T
C133	4030007040	S.CER	C1608 CH 1H 180J-T
C134	4030007120	S.CER	C1608 CH 1H 820J-T
C135	4030007040	S.CER	C1608 CH 1H 180J-T
C136	4030007100	S.CER	C1608 CH 1H 560J-T
C141	4030006900	S.CER	C1608 JB 1H 103K-T
C151	4030010210	S.CER	C3216 JB 1C 105M-T
C152	4030011600	S.CER	C1608 JB 1E 104K-T
C161	4030008470	S.CER	C1608 JB 1H 272K-T
C162	4030009880	S.CER	C1608 JB 1H 682K-T
C163	4030009980	S.CER	C1608 JB 1H 152K-T
C164	4030011600	S.CER	C1608 JB 1E 104K-T
C170	4510008520	S.ELE	EEE1CA470SP
C171	4030011600	S.CER	C1608 JB 1E 104K-T
C172	4030008650	S.CER	C1608 JB 1H 332K-T
C173	4030010240	S.CER	C1608 JB 1H 391K-T
C174	4030008650	S.CER	C1608 JB 1H 332K-T
C175	4030010210	S.CER	C3216 JB 1C 105M-T
C176	4030011600	S.CER	C1608 JB 1E 104K-T
C181	4030011600	S.CER	C1608 JB 1E 104K-T
C182	4030006860	S.CER	C1608 JB 1H 102K-T
C183	4030009580	S.CER	C1608 JB 1H 681K-T
C184	4030006870	S.CER	C1608 JB 1H 222K-T
C185	4030007170	S.CER	C1608 CH 1H 221J-T
C186	4030010020	S.CER	C1608 JB 1H 122K-T
C187	4030011600	S.CER	C1608 JB 1E 104K-T
C188	4030011600	S.CER	C1608 JB 1E 104K-T
C201	4030011600	S.CER	C1608 JB 1E 104K-T
C202	4030010020	S.CER	C1608 JB 1H 122K-T
C203	4030007130	S.CER	C1608 CH 1H 101J-T
C204	4030010020	S.CER	C1608 JB 1H 122K-T
C205	4030009880	S.CER	C1608 JB 1H 682K-T
C206	4030009880	S.CER	C1608 JB 1H 682K-T
C207	4030009980	S.CER	C1608 JB 1H 152K-T
C208	4030009980	S.CER	C1608 JB 1H 152K-T
C209	4030011600	S.CER	C1608 JB 1E 104K-T
C221	4030011600	S.CER	C1608 JB 1E 104K-T
C222	4030010240	S.CER	C1608 JB 1H 391K-T
C223	4030007140	S.CER	C1608 CH 1H 121J-T
C224	4030007130	S.CER	C1608 CH 1H 101J-T
C225	4030006850	S.CER	C1608 JB 1H 471K-T
C226	4030006870	S.CER	C1608 JB 1H 222K-T
C227	4030006880	S.CER	C1608 JB 1H 472K-T
C228	4030006860	S.CER	C1608 JB 1H 102K-T
C229	4030009580	S.CER	C1608 JB 1H 681K-T
C230	4030011600	S.CER	C1608 JB 1E 104K-T
C241	4030011600	S.CER	C1608 JB 1E 104K-T
C242	4030010760	S.CER	C1608 CH 1H 331J-T
C243	4030007090	S.CER	C1608 CH 1H 470J-T
C244	4030007160	S.CER	C1608 CH 1H 181J-T
C245	4030010040	S.CER	C1608 JB 1H 561K-T
C246	4030008470	S.CER	C1608 JB 1H 272K-T
C247	4030010760	S.CER	C1608 CH 1H 331J-T
C248	4030011600	S.CER	C1608 JB 1E 104K-T

[MAIN UNIT]

REF NO.	ORDER NO.	DESCRIPTION	
C261	4030011600	S.CER	C1608 JB 1E 104K-T
C262	4030011280	S.CER	C1608 CH 1H 271J-T
C263	4030007090	S.CER	C1608 CH 1H 470J-T
C264	4030007150	S.CER	C1608 CH 1H 151J-T
C265	4030006850	S.CER	C1608 JB 1H 471K-T
C266	4030010020	S.CER	C1608 JB 1H 122K-T
C267	4030007140	S.CER	C1608 CH 1H 121J-T
C268	4030007140	S.CER	C1608 CH 1H 121J-T
C269	4030011600	S.CER	C1608 JB 1E 104K-T
C281	4030011600	S.CER	C1608 JB 1E 104K-T
C282	4030007160	S.CER	C1608 CH 1H 181J-T
C283	4030007030	S.CER	C1608 CH 1H 150J-T
C284	4030007030	S.CER	C1608 CH 1H 150J-T
C285	4030007130	S.CER	C1608 CH 1H 101J-T
C286	4030007150	S.CER	C1608 CH 1H 151J-T
C287	4030007150	S.CER	C1608 CH 1H 151J-T
C288	4030010020	S.CER	C1608 JB 1H 122K-T
C289	4030007150	S.CER	C1608 CH 1H 151J-T
C290	4030011600	S.CER	C1608 JB 1E 104K-T
C301	4030011600	S.CER	C1608 JB 1E 104K-T
C302	4030006990	S.CER	C1608 CH 1H 080D-T
C303	4030007160	S.CER	C1608 CH 1H 181J-T
C304	4030007060	S.CER	C1608 CH 1H 270J-T
C305	4030007140	S.CER	C1608 CH 1H 121J-T
C306	4030007160	S.CER	C1608 CH 1H 181J-T
C307	4030010020	S.CER	C1608 JB 1H 122K-T
C308	4030007130	S.CER	C1608 CH 1H 101J-T
C309	4030011600	S.CER	C1608 JB 1E 104K-T
C321	4030006900	S.CER	C1608 JB 1H 103K-T
C322	4030007110	S.CER	C1608 CH 1H 680J-T
C323	4030007080	S.CER	C1608 CH 1H 390J-T
C324	4030007110	S.CER	C1608 CH 1H 680J-T
C325	4030007010	S.CER	C1608 CH 1H 100D-T
C326	4030007010	S.CER	C1608 CH 1H 100D-T
C327	4030007110	S.CER	C1608 CH 1H 680J-T
C328	4030007170	S.CER	C1608 CH 1H 221J-T
C329	4030010240	S.CER	C1608 JB 1H 391K-T
C330	4030007100	S.CER	C1608 CH 1H 560J-T
C331	4030007050	S.CER	C1608 CH 1H 220J-T
C332	4030006900	S.CER	C1608 JB 1H 103K-T
C333	4030007070	S.CER	C1608 CH 1H 330J-T
C341	4030006900	S.CER	C1608 JB 1H 103K-T
C342	4030007110	S.CER	C1608 CH 1H 680J-T
C344	4030007020	S.CER	C1608 CH 1H 120J-T
C345	4030007080	S.CER	C1608 CH 1H 390J-T
C346	4030006900	S.CER	C1608 JB 1H 103K-T
C349	4030007100	S.CER	C1608 CH 1H 560J-T
C350	4030007160	S.CER	C1608 CH 1H 181J-T
C351	4030007090	S.CER	C1608 CH 1H 470J-T
C352	4030006900	S.CER	C1608 JB 1H 103K-T
C361	4030010210	S.CER	C3216 JB 1C 105M-T
C371	4030011600	S.CER	C1608 JB 1E 104K-T
C372	4030007010	S.CER	C1608 CH 1H 100D-T
C381	4030011600	S.CER	C1608 JB 1E 104K-T
C382	4030011600	S.CER	C1608 JB 1E 104K-T
C383	4030011600	S.CER	C1608 JB 1E 104K-T
C384	4030011600	S.CER	C1608 JB 1E 104K-T
C385	4030011600	S.CER	C1608 JB 1E 104K-T
C386	4030011600	S.CER	C1608 JB 1E 104K-T
C391	4030011600	S.CER	C1608 JB 1E 104K-T
C392	4030011600	S.CER	C1608 JB 1E 104K-T
C393	4030011600	S.CER	C1608 JB 1E 104K-T
C394	4030011600	S.CER	C1608 JB 1E 104K-T
C395	4030011600	S.CER	C1608 JB 1E 104K-T
C396	4030011600	S.CER	C1608 JB 1E 104K-T
C397	4030011600	S.CER	C1608 JB 1E 104K-T
C401	4030011600	S.CER	C1608 JB 1E 104K-T
C411	4030007080	S.CER	C1608 CH 1H 390J-T
C412	4030007130	S.CER	C1608 CH 1H 101J-T
C413	4030011600	S.CER	C1608 JB 1E 104K-T
C414	4030006860	S.CER	C1608 JB 1H 102K-T
C415	4030011600	S.CER	C1608 JB 1E 104K-T
C422	4030006970	S.CER	C1608 CH 1H 060D-T
C423	4030007040	S.CER	C1608 CH 1H 180J-T
C424	4030006920	S.CER	C1608 CH 1H 010C-T
C425	4030007040	S.CER	C1608 CH 1H 180J-T
C431	4030007070	S.CER	C1608 CH 1H 330J-T
C432	4030007070	S.CER	C1608 CH 1H 330J-T
C433	4030007040	S.CER	C1608 CH 1H 180J-T
C434	4030007120	S.CER	C1608 CH 1H 820J-T
C435	4030007040	S.CER	C1608 CH 1H 180J-T
C436	4030007100	S.CER	C1608 CH 1H 560J-T
C442	4030011600	S.CER	C1608 JB 1E 104K-T
C443	4030011600	S.CER	C1608 JB 1E 104K-T
C444	4030006990	S.CER	C1608 CH 1H 080D-T
C445	4030006950	S.CER	C1608 CH 1H 040C-T
C446	4030011600	S.CER	C1608 JB 1E 104K-T
C447	4030011600	S.CER	C1608 JB 1E 104K-T
C448	4030007130	S.CER	C1608 CH 1H 101J-T
C461	4030006980	S.CER	C1608 CH 1H 070D-T
C462	4030006930	S.CER	C1608 CH 1H 020C-T
C471	4030007050	S.CER	C1608 CH 1H 220J-T
C472	4030011600	S.CER	C1608 JB 1E 104K-T
C473	4030006880	S.CER	C1608 JB 1H 472K-T
C474	4030006880	S.CER	C1608 JB 1H 472K-T
C475	4030007020	S.CER	C1608 CH 1H 120J-T
C476	4030006880	S.CER	C1608 JB 1H 472K-T
C492	4030007110	S.CER	C1608 CH 1H 680J-T
C551	4030011600	S.CER	C1608 JB 1E 104K-T
C552	4030011600	S.CER	C1608 JB 1E 104K-T
C553	4030006880	S.CER	C1608 JB 1H 472K-T
C561	4030011600	S.CER	C1608 JB 1E 104K-T
C562	4030011600	S.CER	C1608 JB 1E 104K-T
C563	4030006880	S.CER	C1608 JB 1H 472K-T

except [USA-1], [OTH-1]

except [USA-1], [OTH-1]

[MAIN UNIT]

REF NO.	ORDER NO.	DESCRIPTION
C701	4030006930	S.CER C1608 CH 1H 020C-T
C711	4030006880	S.CER C1608 JB 1H 472K-T
C712	4030006880	S.CER C1608 JB 1H 472K-T
C721	4030006880	S.CER C1608 JB 1H 472K-T
C722	4030011600	S.CER C1608 JB 1E 104K-T
C723	4030006880	S.CER C1608 JB 1H 472K-T
C724	4030007050	S.CER C1608 CH 1H 220J-T
C725	4030011600	S.CER C1608 JB 1E 104K-T
C726	4030006880	S.CER C1608 JB 1H 472K-T
C731	4030006880	S.CER C1608 JB 1H 472K-T
C732	4030006880	S.CER C1608 JB 1H 472K-T
C733	4030006880	S.CER C1608 JB 1H 472K-T
C734	4030011600	S.CER C1608 JB 1E 104K-T
C735	4030006880	S.CER C1608 JB 1H 472K-T
C736	4030006880	S.CER C1608 JB 1H 472K-T
C737	4030011600	S.CER C1608 JB 1E 104K-T
C738	4030007150	S.CER C1608 CH 1H 151J-T
C739	4510009270	S.ELE EEEHB1C220UR
C740	4030007050	S.CER C1608 CH 1H 220J-T
C741	4510008520	S.ELE EEE1CA470SP
C742	4030011600	S.CER C1608 JB 1E 104K-T
C743	4510008540	S.ELE EEE1CA100SR
C761	4030011600	S.CER C1608 JB 1E 104K-T
C762	4030011600	S.CER C1608 JB 1E 104K-T
C771	4030011600	S.CER C1608 JB 1E 104K-T
C772	4030011600	S.CER C1608 JB 1E 104K-T
C773	4030007030	S.CER C1608 CH 1H 150J-T
C781	4030011600	S.CER C1608 JB 1E 104K-T
C782	4030011600	S.CER C1608 JB 1E 104K-T
C791	4030011600	S.CER C1608 JB 1E 104K-T
C792	4030011600	S.CER C1608 JB 1E 104K-T
C801	4030011600	S.CER C1608 JB 1E 104K-T
C811	4030006880	S.CER C1608 JB 1H 472K-T
C813	4030011600	S.CER C1608 JB 1E 104K-T
C814	4030011600	S.CER C1608 JB 1E 104K-T
C816	4030006880	S.CER C1608 JB 1H 472K-T
C818	4030011600	S.CER C1608 JB 1E 104K-T
C831	4030006850	S.CER C1608 JB 1H 332K-T
C841	4030006880	S.CER C1608 JB 1H 472K-T
C851	4030011600	S.CER C1608 JB 1E 104K-T
C852	4030011600	S.CER C1608 JB 1E 104K-T
C861	4030011600	S.CER C1608 JB 1E 104K-T
C862	4030011600	S.CER C1608 JB 1E 104K-T
C871	4030011600	S.CER C1608 JB 1E 104K-T
C872	4030011600	S.CER C1608 JB 1E 104K-T
C881	4030011600	S.CER C1608 JB 1E 104K-T
C882	4030011600	S.CER C1608 JB 1E 104K-T
C891	4030011600	S.CER C1608 JB 1E 104K-T
C892	4030006880	S.CER C1608 JB 1H 472K-T
C893	4030006880	S.CER C1608 JB 1H 472K-T
C894	4030011600	S.CER C1608 JB 1E 104K-T
C895	4030007050	S.CER C1608 CH 1H 220J-T
C896	4030011600	S.CER C1608 JB 1E 104K-T
C897	4030006880	S.CER C1608 JB 1H 472K-T
C911	4030011600	S.CER C1608 JB 1E 104K-T
C912	4030007170	S.CER C1608 CH 1H 221J-T
C913	4030011600	S.CER C1608 JB 1E 104K-T
C914	4510008530	S.ELE EEE1HA2R2SR
C1001	4030011600	S.CER C1608 JB 1E 104K-T
C1002	4030006880	S.CER C1608 JB 1H 472K-T
C1003	4030011600	S.CER C1608 JB 1E 104K-T
C1004	4030007170	S.CER C1608 CH 1H 221J-T
C1005	4030007170	S.CER C1608 CH 1H 221J-T
C1006	4030006880	S.CER C1608 JB 1H 472K-T
C1007	4030007130	S.CER C1608 CH 1H 101J-T
C1008	4510008540	S.ELE EEE1CA100SR
C1009	4030011600	S.CER C1608 JB 1E 104K-T
C1010	4030011600	S.CER C1608 JB 1E 104K-T
C1021	4030011600	S.CER C1608 JB 1E 104K-T
C1022	4030006900	S.CER C1608 JB 1H 103K-T
C1023	4030006900	S.CER C1608 JB 1H 103K-T
C1024	4030011600	S.CER C1608 JB 1E 104K-T
C1031	4030011600	S.CER C1608 JB 1E 104K-T
C1041	4030006880	S.CER C1608 JB 1H 472K-T
C1042	4030006880	S.CER C1608 JB 1H 472K-T
C1043	4030006880	S.CER C1608 JB 1H 472K-T
C1044	4030011600	S.CER C1608 JB 1E 104K-T
C1051	4510008540	S.ELE EEE1CA100SR
C1061	4030006880	S.CER C1608 JB 1H 472K-T
C1062	4030007130	S.CER C1608 CH 1H 101J-T
C1063	4510008540	S.ELE EEE1CA100SR
C1064	4030011600	S.CER C1608 JB 1E 104K-T
C1065	4510008540	S.ELE EEE1CA100SR
C1066	4510008530	S.ELE EEE1HA2R2SR
C1067	4510009270	S.ELE EEEHB1C220UR
C1081	4030006880	S.CER C1608 JB 1H 472K-T
C1085	4030006880	S.CER C1608 JB 1H 472K-T
C1089	4030006880	S.CER C1608 JB 1H 472K-T
C1090	4030011600	S.CER C1608 JB 1E 104K-T
C1101	4030011600	S.CER C1608 JB 1E 104K-T
C1102	4030011600	S.CER C1608 JB 1E 104K-T
C1103	4030011600	S.CER C1608 JB 1E 104K-T
C1201	4030006900	S.CER C1608 JB 1H 103K-T
C1202	4030006900	S.CER C1608 JB 1H 103K-T
C1211	4030009980	S.CER C1608 JB 1H 152K-T
C1212	4030010020	S.CER C1608 JB 1H 122K-T
C1213	4030008650	S.CER C1608 JB 1H 332K-T
C1214	4030010040	S.CER C1608 JB 1H 561K-T
C1215	4030011600	S.CER C1608 JB 1E 104K-T
C1216	4030011600	S.CER C1608 JB 1E 104K-T
C1217	4030011600	S.CER C1608 JB 1E 104K-T
C1231	4030006880	S.CER C1608 JB 1H 472K-T
C1251	4030011600	S.CER C1608 JB 1E 104K-T
C1253	4030010760	S.CER C1608 CH 1H 331J-T

[USA-1], [OTH-1] only
 [USA-1], [OTH-1] only
 [USA-1], [OTH-1] only

[MAIN UNIT]

REF NO.	ORDER NO.	DESCRIPTION
C1254	4510008530	S.ELE EEE1HA2R2SR
C1255	4030006900	S.CER C1608 JB 1H 103K-T
C1256	4030011600	S.CER C1608 JB 1E 104K-T
C1257	4510008540	S.ELE EEE1CA100SR
C1258	4510008540	S.ELE EEE1CA100SR
C1259	4510008540	S.ELE EEE1CA100SR
C1260	4510008540	S.ELE EEE1CA100SR
C1261	4510008540	S.ELE EEE1CA100SR
C1262	4510008530	S.ELE EEE1HA2R2SR
C1271	4030006880	S.CER C1608 JB 1H 472K-T
C1272	4030011600	S.CER C1608 JB 1E 104K-T
C1281	4030006900	S.CER C1608 JB 1H 103K-T
C1282	4030006900	S.CER C1608 JB 1H 103K-T
C1292	4510008540	S.ELE EEE1CA100SR
C1293	4030011600	S.CER C1608 JB 1E 104K-T
C1294	4030011600	S.CER C1608 JB 1E 104K-T
C1295	4510004591	ELE 16 ME 470 HC
C1296	4510004591	ELE 16 ME 470 HC
C1311	4030006900	S.CER C1608 JB 1H 103K-T
C1312	4030006900	S.CER C1608 JB 1H 103K-T
C1321	4030006900	S.CER C1608 JB 1H 103K-T
C1322	4030006860	S.CER C1608 JB 1H 102K-T
C1351	4030006900	S.CER C1608 JB 1H 103K-T
C1352	4030006900	S.CER C1608 JB 1H 103K-T
C1353	4510004510	ELE 25 ME 470 HC
C1361	4510008530	S.ELE EEE1HA2R2SR
C1362	4030011600	S.CER C1608 JB 1E 104K-T
C1363	4030011600	S.CER C1608 JB 1E 104K-T
C1364	4030011600	S.CER C1608 JB 1E 104K-T
C1365	4510008540	S.ELE EEE1CA100SR
C1371	4510008530	S.ELE EEE1HA2R2SR
C1372	4030011600	S.CER C1608 JB 1E 104K-T
C1373	4030011600	S.CER C1608 JB 1E 104K-T
C1374	4030011600	S.CER C1608 JB 1E 104K-T
C1375	4510004591	ELE 16 ME 470 HC
C1376	4030010210	S.CER C3216 JB 1C 105M-T
C1381	4030011600	S.CER C1608 JB 1E 104K-T
C1382	4030011600	S.CER C1608 JB 1E 104K-T
C1391	4510004591	ELE 16 ME 470 HC
C1392	4030011600	S.CER C1608 JB 1E 104K-T
C1393	4030011600	S.CER C1608 JB 1E 104K-T
C1394	4510008540	S.ELE EEE1CA100SR
C1401	4510008540	S.ELE EEE1CA100SR
C1402	4030011600	S.CER C1608 JB 1E 104K-T
C1403	4030011600	S.CER C1608 JB 1E 104K-T
C1404	4510008540	S.ELE EEE1CA100SR
C1411	4030011600	S.CER C1608 JB 1E 104K-T
C1412	4510008520	S.ELE EEE1CA470SP
C1413	4030011600	S.CER C1608 JB 1E 104K-T
C1414	4510009270	S.ELE EEEHB1C220UR
C1415	4030006860	S.CER C1608 JB 1H 102K-T
C1416	4030006900	S.CER C1608 JB 1H 103K-T
C1417	4510008520	S.ELE EEE1CA470SP
C1418	4510008520	S.ELE EEE1CA470SP
C1419	4030011600	S.CER C1608 JB 1E 104K-T
C1420	4510008540	S.ELE EEE1CA100SR
C1421	4030011600	S.CER C1608 JB 1E 104K-T
C1422	4510008520	S.ELE EEE1CA470SP
C1502	4030006880	S.CER C1608 JB 1H 472K-T
C1521	4030006880	S.CER C1608 JB 1H 472K-T
C1601	4030011600	S.CER C1608 JB 1E 104K-T
C1602	4030011600	S.CER C1608 JB 1E 104K-T
C1603	4030011600	S.CER C1608 JB 1E 104K-T
C1751	4510008540	S.ELE EEE1CA100SR
C1752	4510008540	S.ELE EEE1CA100SR
C1753	4510008540	S.ELE EEE1CA100SR
C1754	4510008540	S.ELE EEE1CA100SR
C1755	4510008540	S.ELE EEE1CA100SR
C1756	4030011600	S.CER C1608 JB 1E 104K-T
C1771	4030011600	S.CER C1608 JB 1E 104K-T
C2001	4030006860	S.CER C1608 JB 1H 102K-T
C2011	4030010760	S.CER C1608 CH 1H 331J-T except [USA-1], [OTH-1], [CHN]
C2012	4030007070	S.CER C1608 CH 1H 330J-T except [USA-1], [OTH-1], [CHN]
C2013	4510008540	S.ELE EEE1CA100SR except [USA-1], [OTH-1], [CHN]
C2014	4030011600	S.CER C1608 JB 1E 104K-T [AUS], [DEN] only
C2015	4030006900	S.CER C1608 JB 1H 103K-T except [USA-1], [OTH-1], [CHN]
C2016	4510008540	S.ELE EEE1CA100SR [AUS], [DEN] only
C2021	4030006860	S.CER C1608 JB 1H 102K-T except [USA-1], [OTH-1], [CHN]
C2022	4030007080	S.CER C1608 CH 1H 390J-T except [USA-1], [OTH-1], [CHN]
C2023	4030007020	S.CER C1608 CH 1H 120J-T except [USA-1], [OTH-1], [CHN]
C2024	4510008520	S.ELE EEE1CA470SP [AUS], [DEN] only
C2031	4030006860	S.CER C1608 JB 1H 102K-T except [USA-1], [OTH-1], [CHN]
C2032	4030006860	S.CER C1608 JB 1H 102K-T except [USA-1], [OTH-1], [CHN]
C2033	4030006860	S.CER C1608 JB 1H 102K-T except [USA-1], [OTH-1], [CHN]
C2034	4030006860	S.CER C1608 JB 1H 102K-T except [USA-1], [OTH-1], [CHN]
C2035	4030011600	S.CER C1608 JB 1E 104K-T except [USA-1], [OTH-1], [CHN]
C2036	4030011600	S.CER C1608 JB 1E 104K-T except [USA-1], [OTH-1], [CHN]
C2037	4030006860	S.CER C1608 JB 1H 102K-T [AUS], [DEN] only
C2041	4510008540	S.ELE EEE1CA100SR [AUS], [DEN] only

S.=Surface mount

[MAIN UNIT]

REF NO.	ORDER NO.	DESCRIPTION	
C2042	4030011600	S.CER	C1608 JB 1E 104K-T except [USA-1], [OTH-1], [CHN] [AUS], [DEN] only
C2051	4510008530	S.ELE	EEE1HA2R2SR
RL121	6330000180	RLY	MZ-12HG
RL141	6330000180	RLY	MZ-12HG
CP731	6910009670	S.CHK	HK3-S-T
J101	6510021460	CNR	PT-C02P01
J111	6510007020	CNR	TMP-J01X-V6
J411	6510007020	CNR	TMP-J01X-V6
J491	6510007020	CNR	TMP-J01X-V6
J781	6450001560	CNR	PD-72
J782	6450001560	CNR	PD-72
J783	6450001560	CNR	PD-72
J784	6450001560	CNR	PD-72
J811	6510007020	CNR	TMP-J01X-V6
J881	6450001560	CNR	PD-72
J882	6450001560	CNR	PD-72
J883	6450001560	CNR	PD-72
J884	6450001560	CNR	PD-72
J1081	6510007020	CNR	TMP-J01X-V6
J1221	6510018971	S.CNR	B4B-PH-SM4-TB (LF) (SN)
J1231	6510019971	S.CNR	52808-1071
J1271	6510019191	S.CNR	52365-0871
J1311	6450001800	CNR	JPJ1044-01-010
J1321	6450000140	CNR	HSJ0807-01-010
J1351	6510023650	CNR	HEC0740-010618
J1501	6510019981	S.CNR	52808-1671 (1690)
J1521	6510019981	S.CNR	52808-1671 (1690)
J1522	6510021861	CNR	BH-800.4GG <LTC>
J1541	6510019981	S.CNR	52808-1671 (1690)
J1561	6510019981	S.CNR	52808-1671 (1690)
J1701	6450000140	CNR	HSJ0807-01-010
J1751	6510021241	CNR	DELC-J9SAF-23L9E
F1351	5210000051	FUS	FGB 3A PBF (FGB0 125V)
F1352	5220000230	HOL	S-N5054 #01
F1353	5220000230	HOL	S-N5054 #01
BT1521	3020000110	LTM	CR2032

[PLL UNIT]

REF NO.	ORDER NO.	DESCRIPTION	
IC21	1140007881	S.IC	TC190G08EFG0046JDZ/SC1246A
IC22	1110004460	S.IC	uPB1509GV-E1
IC23	1130003831	S.IC	TC7S04F (TE85R,F)
IC151	1140004550	S.IC	M65343FP/SC1287
IC201	1140004550	S.IC	M65343FP/SC1287
Q1	1530002571	S.TR	2SC4405-3-TL-E
Q2	1530002571	S.TR	2SC4405-3-TL-E
Q3	1590000680	S.TR	DTC114EUA T106
Q4	1590000680	S.TR	DTC114EUA T106
Q21	1530003001	S.TR	2SC4117-BL (TE85R,F)
Q71	1560000491	S.FET	2SK508-T2B-A K52
Q72	1590000680	S.TR	DTC114EUA T106
Q81	1560000491	S.FET	2SK508-T2B-A K52
Q82	1590000680	S.TR	DTC114EUA T106
Q91	1530002571	S.TR	2SC4405-3-TL-E
Q92	1590001330	S.TR	DTA114EUA T106
Q93	1590000680	S.TR	DTC114EUA T106
Q96	1530003001	S.TR	2SC4117-BL (TE85R,F)
Q97	1530003001	S.TR	2SC4117-BL (TE85R,F)
Q151	1530002880	S.TR	2SC4226-T1 R24
Q201	1530002880	S.TR	2SC4226-T1 R24
D1	1750000520	S.DIO	DAN222TL
D2	1750000550	S.DIO	1SS355 TE-17
D71	1720000831	S.VCP	KV1770STL-G
D72	1790000620	S.DIO	MA77 (TX)
D81	1720000831	S.VCP	KV1770STL-G
D82	1790000620	S.DIO	MA77 (TX)
D83	1790001250	S.DIO	MA2S111-(TX) [AUS], [DEN] only
D91	1790000620	S.DIO	MA77 (TX)
D92	1790000620	S.DIO	MA77 (TX)
X1	6050005712	XTL	CR-275B (30.000 MHz)
L1	6170000230	COL	LW-25
L2	6150004370	COL	LS-472C (C-15045)
L3	6200003950	S.COL	HF50ACC 322513-T
L4	6150004250	COL	LS-471A (C-14922)
L5	6150004250	COL	LS-471A (C-14922)
L22	6200003171	S.COL	NLV32T-330J
L23	6200003181	S.COL	NLV32T-390J
L24	6200003181	S.COL	NLV32T-390J
L25	6200001831	S.COL	NLV32T-100J
L26	6200003191	S.COL	NLV32T-470J
L27	6200003191	S.COL	NLV32T-470J
L71	6170000230	COL	LW-25
L72	6190001371	COL	#E544GN-110254
L73	6170000230	COL	LW-25
L81	6180003390	COL	SP0406-1R2K-6 [AUS], [USA-1], [OTH-1] only
L82	6190001281	COL	#E544GN-110248
L83	6180003390	COL	SP0406-1R2K-6 [AUS], [USA-1], [OTH-1] only
L91	6180002961	S.COL	NLV32T-R18J
L92	6180002981	S.COL	NLV32T-056J
L93	6180002971	S.COL	NLV32T-068J
L94	6200001831	S.COL	NLV32T-100J
L151	6200003131	S.COL	NLV32T-120J
L152	6200003141	S.COL	NLV32T-150J
L153	6200001831	S.COL	NLV32T-100J
L201	6200005491	S.COL	NLV32T-331J
L202	6200008641	S.COL	NLV32T-391J
L203	6200001831	S.COL	NLV32T-100J
L204	6200003640	S.COL	MLF1608E 100K-T
L205	6200003640	S.COL	MLF1608E 100K-T
L206	6200004790	S.COL	MLF1608D R47K-T
L207	6200003950	S.COL	HF50ACC 322513-T except [USA-1], [OTH-1]
L208	6200003950	S.COL	HF50ACC 322513-T except [USA-1], [OTH-1]
R1	7030003320	S.RES	ERJ3GEYJ 101 V (100)
R2	7030003580	S.RES	ERJ3GEYJ 153 V (15 k)
R3	7030003520	S.RES	ERJ3GEYJ 472 V (4.7 k)
R4	7030003430	S.RES	ERJ3GEYJ 821 V (820)
R5	7030003370	S.RES	ERJ3GEYJ 271 V (270)
R6	7030003320	S.RES	ERJ3GEYJ 101 V (100)
R7	7030003600	S.RES	ERJ3GEYJ 223 V (22 k)
R8	7030003560	S.RES	ERJ3GEYJ 103 V (10 k)
R9	7030003370	S.RES	ERJ3GEYJ 271 V (270)
R10	7030003640	S.RES	ERJ3GEYJ 473 V (47 k)
R11	7030003320	S.RES	ERJ3GEYJ 101 V (100)
R12	7030003200	S.RES	ERJ3GEYJ 100 V (10)
R13	7030003200	S.RES	ERJ3GEYJ 100 V (10)
R21	7030003370	S.RES	ERJ3GEYJ 271 V (270)
R22	7030003560	S.RES	ERJ3GEYJ 103 V (10 k)
R23	7030005400	S.RES	RR0816P-202-D (2 k) [USA-1], [OTH-1] only
R24	7030005400	S.RES	RR0816P-202-D (2 k) [USA-1], [OTH-1] only
R25	7030005400	S.RES	RR0816P-202-D (2 k) [USA-1], [OTH-1] only
R26	7030005400	S.RES	RR0816P-202-D (2 k) [USA-1], [OTH-1] only
R27	7030005400	S.RES	RR0816P-202-D (2 k) [USA-1], [OTH-1] only
R28	7030005400	S.RES	RR0816P-202-D (2 k) [USA-1], [OTH-1] only
R29	7030005400	S.RES	RR0816P-202-D (2 k) [USA-1], [OTH-1] only
R30	7030005400	S.RES	RR0816P-202-D (2 k) [USA-1], [OTH-1] only
R31	7030005370	S.RES	RR0816P-202-B (2 k) [USA-1], [OTH-1] only
R32	7030005370	S.RES	RR0816P-202-B (2 k) [USA-1], [OTH-1] only
R33	7030005370	S.RES	RR0816P-202-B (2 k) [USA-1], [OTH-1] only
R34	7030005370	S.RES	RR0816P-202-B (2 k) [USA-1], [OTH-1] only
R35	7030005370	S.RES	RR0816P-202-B (2 k) [USA-1], [OTH-1] only
R36	7030005390	S.RES	RR0816P-102-D (1 k) [USA-1], [OTH-1] only
R37	7030005390	S.RES	RR0816P-102-D (1 k) [USA-1], [OTH-1] only
R38	7030005390	S.RES	RR0816P-102-D (1 k) [USA-1], [OTH-1] only

S.=Surface mount

[PLL UNIT]

REF NO.	ORDER NO.	DESCRIPTION	
R39	7030005390	S.RES RR0816P-102-D (1 k)	[USA-1], [OTH-1] only
R40	7030005390	S.RES RR0816P-102-D (1 k)	[USA-1], [OTH-1] only
R41	7030005390	S.RES RR0816P-102-D (1 k)	[USA-1], [OTH-1] only
R42	7030005380	S.RES RR0816P-102-B (1 k)	[USA-1], [OTH-1] only
R43	7030005380	S.RES RR0816P-102-B (1 k)	[USA-1], [OTH-1] only
R44	7030005380	S.RES RR0816P-102-B (1 k)	[USA-1], [OTH-1] only
R45	7030005380	S.RES RR0816P-102-B (1 k)	[USA-1], [OTH-1] only
R46	7030005380	S.RES RR0816P-102-B (1 k)	[USA-1], [OTH-1] only
R47	7030003400	S.RES ERJ3GEYJ 471 V (470)	
R48	7030003720	S.RES ERJ3GEYJ 224 V (220 k)	
R49	7030003440	S.RES ERJ3GEYJ 102 V (1 k)	
R50	7030003440	S.RES ERJ3GEYJ 102 V (1 k)	
R51	7030003440	S.RES ERJ3GEYJ 102 V (1 k)	
R52	7030003440	S.RES ERJ3GEYJ 102 V (1 k)	
R53	7030003440	S.RES ERJ3GEYJ 102 V (1 k)	
R54	7030003440	S.RES ERJ3GEYJ 102 V (1 k)	
R55	7030003440	S.RES ERJ3GEYJ 102 V (1 k)	
R71	7030003490	S.RES ERJ3GEYJ 272 V (2.7 k)	
R72	7030003780	S.RES ERJ3GEYJ 684 V (680 k)	
R73	7030003260	S.RES ERJ3GEYJ 330 V (33)	
R75	7030003390	S.RES ERJ3GEYJ 391 V (390)	
R76	7030003250	S.RES ERJ3GEYJ 270 V (27)	
R78	7030003370	S.RES ERJ3GEYJ 271 V (270)	
R79	7030003580	S.RES ERJ3GEYJ 153 V (15 k)	
R80	7030003570	S.RES ERJ3GEYJ 123 V (12 k)	
R81	7030003560	S.RES ERJ3GEYJ 103 V (10 k)	
R83	7030003480	S.RES ERJ3GEYJ 222 V (2.2 k)	
R85	7030003430	S.RES ERJ3GEYJ 821 V (820)	
R86	7030003330	S.RES ERJ3GEYJ 121 V (120)	[USA-1], [OTH-1] only
R91	7030003260	S.RES ERJ3GEYJ 330 V (33)	
R92	7030003550	S.RES ERJ3GEYJ 822 V (8.2 k)	
R93	7030003510	S.RES ERJ3GEYJ 392 V (3.9 k)	
R94	7030003320	S.RES ERJ3GEYJ 101 V (100)	
R95	7030003200	S.RES ERJ3GEYJ 100 V (10)	
R96	7030003680	S.RES ERJ3GEYJ 104 V (100 k)	
R97	7030003440	S.RES ERJ3GEYJ 102 V (1 k)	
R98	7030003440	S.RES ERJ3GEYJ 102 V (1 k)	
R99	7030003440	S.RES ERJ3GEYJ 102 V (1 k)	
R100	7030003510	S.RES ERJ3GEYJ 392 V (3.9 k)	
R101	7030003370	S.RES ERJ3GEYJ 271 V (270)	
R102	7030003230	S.RES ERJ3GEYJ 180 V (18)	
R103	7030003370	S.RES ERJ3GEYJ 271 V (270)	
R104	7030003370	S.RES ERJ3GEYJ 271 V (270)	
R107	7030003280	S.RES ERJ3GEYJ 470 V (47)	
R108	7030003320	S.RES ERJ3GEYJ 101 V (100)	
R110	7030003360	S.RES ERJ3GEYJ 221 V (220)	
R111	7030003640	S.RES ERJ3GEYJ 473 V (47 k)	
R112	7030003560	S.RES ERJ3GEYJ 103 V (10 k)	
R113	7030003440	S.RES ERJ3GEYJ 102 V (1 k)	
R114	7030003230	S.RES ERJ3GEYJ 180 V (18)	
R115	7030003670	S.RES ERJ3GEYJ 823 V (82 k)	
R116	7030003620	S.RES ERJ3GEYJ 333 V (33 k)	
R117	7030003300	S.RES ERJ3GEYJ 680 V (68)	
R151	7030003380	S.RES ERJ3GEYJ 331 V (330)	
R152	7030003620	S.RES ERJ3GEYJ 333 V (33 k)	
R153	7030005400	S.RES RR0816P-202-D (2 k)	[USA-1], [OTH-1] only
R154	7030005400	S.RES RR0816P-202-D (2 k)	[USA-1], [OTH-1] only
R155	7030005400	S.RES RR0816P-202-D (2 k)	[USA-1], [OTH-1] only
R156	7030005400	S.RES RR0816P-202-D (2 k)	[USA-1], [OTH-1] only
R157	7030005400	S.RES RR0816P-202-D (2 k)	[USA-1], [OTH-1] only
R158	7030005400	S.RES RR0816P-202-D (2 k)	[USA-1], [OTH-1] only
R159	7030005400	S.RES RR0816P-202-D (2 k)	[USA-1], [OTH-1] only
R160	7030005400	S.RES RR0816P-202-D (2 k)	[USA-1], [OTH-1] only
R161	7030005370	S.RES RR0816P-202-B (2 k)	[USA-1], [OTH-1] only
R162	7030005370	S.RES RR0816P-202-B (2 k)	[USA-1], [OTH-1] only
R163	7030005370	S.RES RR0816P-202-B (2 k)	[USA-1], [OTH-1] only
R164	7030005390	S.RES RR0816P-102-D (1 k)	[USA-1], [OTH-1] only
R165	7030005390	S.RES RR0816P-102-D (1 k)	[USA-1], [OTH-1] only
R166	7030005390	S.RES RR0816P-102-D (1 k)	[USA-1], [OTH-1] only
R167	7030005390	S.RES RR0816P-102-D (1 k)	[USA-1], [OTH-1] only
R168	7030005390	S.RES RR0816P-102-D (1 k)	[USA-1], [OTH-1] only
R169	7030005390	S.RES RR0816P-102-D (1 k)	[USA-1], [OTH-1] only
R170	7030005380	S.RES RR0816P-102-B (1 k)	[USA-1], [OTH-1] only
R171	7030005380	S.RES RR0816P-102-B (1 k)	[USA-1], [OTH-1] only
R172	7030005380	S.RES RR0816P-102-B (1 k)	[USA-1], [OTH-1] only
R178	7030003430	S.RES ERJ3GEYJ 821 V (820)	
R180	7030003440	S.RES ERJ3GEYJ 102 V (1 k)	
R181	7030003440	S.RES ERJ3GEYJ 102 V (1 k)	
R182	7030003440	S.RES ERJ3GEYJ 102 V (1 k)	
R183	7030003440	S.RES ERJ3GEYJ 102 V (1 k)	
R201	7030003380	S.RES ERJ3GEYJ 331 V (330)	
R202	7030003620	S.RES ERJ3GEYJ 333 V (33 k)	
R203	7030005400	S.RES RR0816P-202-D (2 k)	[USA-1], [OTH-1] only
R204	7030005400	S.RES RR0816P-202-D (2 k)	[USA-1], [OTH-1] only
R205	7030005400	S.RES RR0816P-202-D (2 k)	[USA-1], [OTH-1] only
R206	7030005400	S.RES RR0816P-202-D (2 k)	[USA-1], [OTH-1] only
R207	7030005400	S.RES RR0816P-202-D (2 k)	[USA-1], [OTH-1] only
R208	7030005400	S.RES RR0816P-202-D (2 k)	[USA-1], [OTH-1] only
R209	7030005400	S.RES RR0816P-202-D (2 k)	[USA-1], [OTH-1] only
R210	7030005400	S.RES RR0816P-202-D (2 k)	[USA-1], [OTH-1] only
R211	7030005370	S.RES RR0816P-202-B (2 k)	[USA-1], [OTH-1] only
R212	7030005370	S.RES RR0816P-202-B (2 k)	[USA-1], [OTH-1] only
R213	7030005370	S.RES RR0816P-202-B (2 k)	[USA-1], [OTH-1] only
R214	7030005390	S.RES RR0816P-102-D (1 k)	[USA-1], [OTH-1] only
R215	7030005390	S.RES RR0816P-102-D (1 k)	[USA-1], [OTH-1] only
R216	7030005390	S.RES RR0816P-102-D (1 k)	[USA-1], [OTH-1] only
R217	7030005390	S.RES RR0816P-102-D (1 k)	[USA-1], [OTH-1] only
R218	7030005390	S.RES RR0816P-102-D (1 k)	[USA-1], [OTH-1] only
R219	7030005390	S.RES RR0816P-102-D (1 k)	[USA-1], [OTH-1] only
R220	7030005380	S.RES RR0816P-102-B (1 k)	[USA-1], [OTH-1] only
R221	7030005380	S.RES RR0816P-102-B (1 k)	[USA-1], [OTH-1] only
R222	7030005380	S.RES RR0816P-102-B (1 k)	[USA-1], [OTH-1] only
R228	7030003430	S.RES ERJ3GEYJ 821 V (820)	
R230	7030003440	S.RES ERJ3GEYJ 102 V (1 k)	

[PLL UNIT]

REF NO.	ORDER NO.	DESCRIPTION	
R231	7030003440	S.RES ERJ3GEYJ 102 V (1 k)	
R232	7030003440	S.RES ERJ3GEYJ 102 V (1 k)	
R233	7030003440	S.RES ERJ3GEYJ 102 V (1 k)	
R235	7030003440	S.RES ERJ3GEYJ 102 V (1 k)	
R237	7030003520	S.RES ERJ3GEYJ 472 V (4.7 k)	except [USA-1], [OTH-1]
C1	4030008310	S.CER C1608 UJ 1H 390J-T	except [USA-1], [OTH-1]
C3	4030006880	S.CER C1608 JB 1H 472K-T	
C4	4030006880	S.CER C1608 JB 1H 472K-T	
C5	4030007630	S.CER C1608 RH 1H 121J-T	except [USA-1], [OTH-1]
C6	4030006880	S.CER C1608 JB 1H 472K-T	
C7	4030006880	S.CER C1608 JB 1H 472K-T	
C8	4030006880	S.CER C1608 JB 1H 472K-T	
C9	4030007170	S.CER C1608 CH 1H 221J-T	
C10	4030007030	S.CER C1608 CH 1H 150J-T	
C11	4030006880	S.CER C1608 JB 1H 472K-T	
C12	4030006910	S.CER C1608 CH 1H 0R5C-T	
C13	4030007030	S.CER C1608 CH 1H 150J-T	
C14	4030006880	S.CER C1608 JB 1H 472K-T	
C15	4030006880	S.CER C1608 JB 1H 472K-T	
C16	4030007610	S.CER C1608 RH 1H 820J-T	except [USA-1], [OTH-1]
C21	4030006880	S.CER C1608 JB 1H 472K-T	
C23	4030011600	S.CER C1608 JB 1E 104K-T	
C24	4510008500	S.ELE EEE1CA101WP	
C25	4030011600	S.CER C1608 JB 1E 104K-T	
C26	4030011600	S.CER C1608 JB 1E 104K-T	
C27	4030011600	S.CER C1608 JB 1E 104K-T	
C28	4030011600	S.CER C1608 JB 1E 104K-T	
C29	4030011600	S.CER C1608 JB 1E 104K-T	
C30	4030011600	S.CER C1608 JB 1E 104K-T	
C31	4030011600	S.CER C1608 JB 1E 104K-T	
C32	4030011600	S.CER C1608 JB 1E 104K-T	
C33	4030011600	S.CER C1608 JB 1E 104K-T	
C34	4030011600	S.CER C1608 JB 1E 104K-T	
C35	4030011600	S.CER C1608 JB 1E 104K-T	
C36	4030011600	S.CER C1608 JB 1E 104K-T	
C37	4030007070	S.CER C1608 CH 1H 330J-T	
C38	4030007010	S.CER C1608 CH 1H 100D-T	
C39	4030011540	S.CER C1608 CH 1H 750J-T	
C40	4030006980	S.CER C1608 CH 1H 070D-T	
C41	4030007120	S.CER C1608 CH 1H 820J-T	
C42	4030006930	S.CER C1608 CH 1H 020C-T	
C43	4030007100	S.CER C1608 CH 1H 560J-T	
C44	4030007010	S.CER C1608 CH 1H 100D-T	
C45	4030006860	S.CER C1608 JB 1H 102K-T	
C46	4030006860	S.CER C1608 JB 1H 102K-T	
C50	4030006880	S.CER C1608 JB 1H 472K-T	
C51	4030011600	S.CER C1608 JB 1E 104K-T	
C52	4030006880	S.CER C1608 JB 1H 472K-T	
C53	4030006880	S.CER C1608 JB 1H 472K-T	
C54	4030006880	S.CER C1608 JB 1H 472K-T	
C55	4030006880	S.CER C1608 JB 1H 472K-T	
C56	4030007110	S.CER C1608 CH 1H 680J-T	
C57	4030007090	S.CER C1608 CH 1H 470J-T	
C58	4030007100	S.CER C1608 CH 1H 560J-T	
C59	4030011840	S.CER C1608 CH 1H 241J-T	
C60	4030009580	S.CER C1608 JB 1H 681K-T	
C71	4550006250	S.TAN TEESVA 1A 106M8R	
C72	4030011600	S.CER C1608 JB 1E 104K-T	
C73	4030006850	S.CER C1608 JB 1H 471K-T	
C74	4510008540	S.ELE EEE1CA100SR	
C75	4030007140	S.CER C1608 CH 1H 121J-T	
C76	4610001830	S.TRI TZB4S100AB10R00	
C77	4030007010	S.CER C1608 CH 1H 100D-T	
C78	4030006880	S.CER C1608 JB 1H 472K-T	
C79	4030009540	S.CER C1608 CH 1H 1R5B-T	[AUS], [DEN], [OTH-1] only
C80	4030006880	S.CER C1608 JB 1H 472K-T	
C81	4030006880	S.CER C1608 JB 1H 472K-T	
C82	4030011600	S.CER C1608 JB 1E 104K-T	
C83	4030006850	S.CER C1608 JB 1H 471K-T	
C84	4510008540	S.ELE EEE1CA100SR	[USA-1], [OTH-1] only
C85	4030006850	S.CER C1608 JB 1H 471K-T	
C86	4610001830	S.TRI TZB4S100AB10R00	
C87	4030006950	S.CER C1608 CH 1H 040C-T	
C88	4030006880	S.CER C1608 JB 1H 472K-T	
C89	4030009510	S.CER C1608 CH 1H 010B-T	[AUS], [DEN], [OTH-1] only
C90	4030006880	S.CER C1608 JB 1H 472K-T	
C91	4030006880	S.CER C1608 JB 1H 472K-T	
C92	4030006880	S.CER C1608 JB 1H 472K-T	
C93	4030006880	S.CER C1608 JB 1H 472K-T	
C94	4030011600	S.CER C1608 JB 1E 104K-T	
C95	4030006880	S.CER C1608 JB 1H 472K-T	
C96	4030007080	S.CER C1608 CH 1H 390J-T	
C97	4030006990	S.CER C1608 CH 1H 080D-T	
C98	4030007090	S.CER C1608 CH 1H 470J-T	
C99	4030006930	S.CER C1608 CH 1H 020C-T	
C100	4030007080	S.CER C1608 CH 1H 390J-T	
C101	4030006880	S.CER C1608 JB 1H 472K-T	
C102	4030007020	S.CER C1608 CH 1H 120J-T	
C103	4030006970	S.CER C1608 CH 1H 060D-T	
C104	4030006880	S.CER C1608 JB 1H 472K-T	
C105	4030006880	S.CER C1608 JB 1H 472K-T	
C106	4510008500	S.ELE EEE1CA101WP	
C107	4030006880	S.CER C1608 JB 1H 472K-T	
C108	4030006880	S.CER C1608 JB 1H 472K-T	
C110	4030006880	S.CER C1608 JB 1H 472K-T	
C111	4030006880	S.CER C1608 JB 1H 472K-T	
C112	4030006880	S.CER C1608 JB 1H 472K-T	
C113	4030006880	S.CER C1608 JB 1H 472K-T	
C114	4030006880	S.CER C1608 JB 1H 472K-T	
C115	4030006880	S.CER C1608 JB 1H 472K-T	
C116	4030011600	S.CER C1608 JB 1E 104K-T	
C117	4030011600	S.CER C1608 JB 1E 104K-T	

S.=Surface mount

[PLL UNIT]

REF NO.	ORDER NO.	DESCRIPTION	
C118	4030006880	S.CER	C1608 JB 1H 472K-T
C119	4510009270	S.ELE	EEHBC1C220UR
C120	4030006850	S.CER	C1608 JB 1H 471K-T
C121	4030011600	S.CER	C1608 JB 1E 104K-T
C122	4030011600	S.CER	C1608 JB 1E 104K-T
C123	4030011600	S.CER	C1608 JB 1E 104K-T
C124	4030011600	S.CER	C1608 JB 1E 104K-T
C125	4030007090	S.CER	C1608 CH 1H 470J-T
C126	4550006250	S.TAN	TEESVA 1A 106M8R
C127	4030011600	S.CER	C1608 JB 1E 104K-T
C128	4030011600	S.CER	C1608 JB 1E 104K-T
C151	4030006880	S.CER	C1608 JB 1H 472K-T
C152	4030007040	S.CER	C1608 CH 1H 180J-T
C153	4030006960	S.CER	C1608 CH 1H 050C-T
C154	4030007070	S.CER	C1608 CH 1H 330J-T
C155	4030006930	S.CER	C1608 CH 1H 020C-T
C156	4030007040	S.CER	C1608 CH 1H 180J-T
C157	4030006880	S.CER	C1608 JB 1H 472K-T
C164	4030006880	S.CER	C1608 JB 1H 472K-T
C165	4510008540	S.ELE	EEE1CA100SR
C167	4030011600	S.CER	C1608 JB 1E 104K-T
C201	4030006880	S.CER	C1608 JB 1H 472K-T
C202	4030006850	S.CER	C1608 JB 1H 471K-T
C203	4030007120	S.CER	C1608 CH 1H 820J-T
C204	4030009490	S.CER	C1608 JB 1H 821K-T
C205	4030007070	S.CER	C1608 CH 1H 330J-T
C206	4030010040	S.CER	C1608 JB 1H 561K-T
C207	4030006880	S.CER	C1608 JB 1H 472K-T
C214	4030006880	S.CER	C1608 JB 1H 472K-T
C215	4510008540	S.ELE	EEE1CA100SR
C217	4030011600	S.CER	C1608 JB 1E 104K-T
C305	4510008540	S.ELE	EEE1CA100SR
C310	4030007090	S.CER	C1608 CH 1H 470J-T
C311	4030007090	S.CER	C1608 CH 1H 470J-T
C312	4030007090	S.CER	C1608 CH 1H 470J-T
C313	4030007090	S.CER	C1608 CH 1H 470J-T
C314	4030007090	S.CER	C1608 CH 1H 470J-T
C315	4030007090	S.CER	C1608 CH 1H 470J-T
C316	4030006860	S.CER	C1608 JB 1H 102K-T
C317	4030006880	S.CER	C1608 JB 1H 472K-T
C318	4030006880	S.CER	C1608 JB 1H 472K-T
C319	4030006880	S.CER	C1608 JB 1H 472K-T
C320	4030006850	S.CER	C1608 JB 1H 471K-T
C321	4030006880	S.CER	C1608 JB 1H 472K-T
C322	4030006880	S.CER	C1608 JB 1H 472K-T
C323	4030006880	S.CER	C1608 JB 1H 472K-T
C324	4030006880	S.CER	C1608 JB 1H 472K-T
C325	4030007100	S.CER	C1608 CH 1H 560J-T
C326	4030006880	S.CER	C1608 JB 1H 472K-T
C327	4030006880	S.CER	C1608 JB 1H 472K-T
C328	4030009500	S.CER	C1608 CH 1H 0R5B-T
C329	4030006850	S.CER	C1608 JB 1H 471K-T
C330	4030006880	S.CER	C1608 JB 1H 472K-T
C331	4030006880	S.CER	C1608 JB 1H 472K-T
C332	4030006880	S.CER	C1608 JB 1H 472K-T
RL1	6330001320	RLY	AHY103
J2	6510019981	S.CNR	52808-1671 (1690)
J3	6450000140	CNR	HSJ0807-01-010
J4	6450000140	CNR	HSJ0807-01-010
W1	7030003860	S.RES	ERJ3GE JPW V
W2	7030003860	S.RES	ERJ3GE JPW V
W18	7030003860	S.RES	ERJ3GE JPW V
W19	7030003860	S.RES	ERJ3GE JPW V
W20	7030003860	S.RES	ERJ3GE JPW V
EP2	6910012350	S.BEA	MMZ1608Y 102BT
EP3	6910012350	S.BEA	MMZ1608Y 102BT
EP4	6910012350	S.BEA	MMZ1608Y 102BT
EP5	6910012350	S.BEA	MMZ1608Y 102BT
EP6	6910012350	S.BEA	MMZ1608Y 102BT
EP7	6910012350	S.BEA	MMZ1608Y 102BT
EP8	6910012350	S.BEA	MMZ1608Y 102BT
EP9	6910012350	S.BEA	MMZ1608Y 102BT
EP10	6910012350	S.BEA	MMZ1608Y 102BT
EP11	6910012350	S.BEA	MMZ1608Y 102BT
EP12	6910012350	S.BEA	MMZ1608Y 102BT
EP13	6910012350	S.BEA	MMZ1608Y 102BT
EP14	6910012350	S.BEA	MMZ1608Y 102BT

[VR BOARD]

REF NO.	ORDER NO.	DESCRIPTION	
R131	7210003040	VAR	TP96D26-22F-10KBX2-2240
R141	7210003030	VAR	TP96D00-22F-10KBX2-2240
R143	7030003540	S.RES	ERJ3GEYJ 682 V (6.8 k)
J101	6510020711	S.CNR	52793-1070 (1090)

[DISPLAY BOARD]

REF NO.	ORDER NO.	DESCRIPTION	
IC101	1140005130	S.IC	HD66100F
Q11	1530002851	S.TR	2SC4116-BL (TE85R,F)
Q21	1530002851	S.TR	2SC4116-BL (TE85R,F)
Q31	1530002851	S.TR	2SC4116-BL (TE85R,F)
Q41	1530002851	S.TR	2SC4116-BL (TE85R,F)
Q51	1530002851	S.TR	2SC4116-BL (TE85R,F)
Q61	1530002851	S.TR	2SC4116-BL (TE85R,F)
Q71	1530002851	S.TR	2SC4116-BL (TE85R,F)
Q81	1530002851	S.TR	2SC4116-BL (TE85R,F)
R11	7030000320	S.RES	MCR10EZHZJ 330 (331)
R12	7030003360	S.RES	ERJ3GEYJ 221 V (220)
R21	7030000320	S.RES	MCR10EZHZJ 330 (331)
R22	7030003360	S.RES	ERJ3GEYJ 221 V (220)
R31	7030000320	S.RES	MCR10EZHZJ 330 (331)
R32	7030003360	S.RES	ERJ3GEYJ 221 V (220)
R41	7030000320	S.RES	MCR10EZHZJ 330 (331)
R42	7030003360	S.RES	ERJ3GEYJ 221 V (220)
R51	7030000320	S.RES	MCR10EZHZJ 330 (331)
R52	7030003360	S.RES	ERJ3GEYJ 221 V (220)
R61	7030000320	S.RES	MCR10EZHZJ 330 (331)
R62	7030003360	S.RES	ERJ3GEYJ 221 V (220)
R71	7030000320	S.RES	MCR10EZHZJ 330 (331)
R72	7030003360	S.RES	ERJ3GEYJ 221 V (220)
R81	7030000320	S.RES	MCR10EZHZJ 330 (331)
R82	7030003360	S.RES	ERJ3GEYJ 221 V (220)
C101	4030008630	S.CER	C1608 JF 1H 104Z-T
J101	6510019981	S.CNR	52808-1671 (1690)
DS11	5040002940	S.LED	TLYU1002A (T02)
DS12	5040002940	S.LED	TLYU1002A (T02)
DS13	5040002940	S.LED	TLYU1002A (T02)
DS21	5040002940	S.LED	TLYU1002A (T02)
DS22	5040002940	S.LED	TLYU1002A (T02)
DS23	5040002940	S.LED	TLYU1002A (T02)
DS31	5040002940	S.LED	TLYU1002A (T02)
DS32	5040002940	S.LED	TLYU1002A (T02)
DS33	5040002940	S.LED	TLYU1002A (T02)
DS41	5040002940	S.LED	TLYU1002A (T02)
DS42	5040002940	S.LED	TLYU1002A (T02)
DS43	5040002940	S.LED	TLYU1002A (T02)
DS51	5040002940	S.LED	TLYU1002A (T02)
DS52	5040002940	S.LED	TLYU1002A (T02)
DS53	5040002940	S.LED	TLYU1002A (T02)
DS61	5040002940	S.LED	TLYU1002A (T02)
DS62	5040002940	S.LED	TLYU1002A (T02)
DS63	5040002940	S.LED	TLYU1002A (T02)
DS71	5040002940	S.LED	TLYU1002A (T02)
DS72	5040002940	S.LED	TLYU1002A (T02)
DS73	5040002940	S.LED	TLYU1002A (T02)
DS81	5040002940	S.LED	TLYU1002A (T02)
DS82	5040002940	S.LED	TLYU1002A (T02)
DS83	5040002940	S.LED	TLYU1002A (T02)
DS101	5030001690	LCD	HLC7395-012400
EP2	8930049631	LCT	SRCN-2240-SP-N-W-1

[PHONE BOARD]

REF NO.	ORDER NO.	DESCRIPTION	
L121	6200003950	S.COL	HF50ACC 322513-T
R121	7030006070	S.RES	ERJ12YJ101U (100)
R122	7030006070	S.RES	ERJ12YJ101U (100)
C121	4030006880	S.CER	C1608 JB 1H 472K-T
C122	4030006880	S.CER	C1608 JB 1H 472K-T
C123	4030006880	S.CER	C1608 JB 1H 472K-T
J101	6510020711	S.CNR	52793-1070 (1090)
J121	6510021480	CNR	HLJ2307-01-3070

S.=Surface mount

• UT-106

(Optional product; an accessory for [USA] and [USA-1])

[MAIN UNIT]

REF NO.	ORDER NO.	DESCRIPTION	M.	H/V LOCATION
IC1	1180002191	S.IC RQ5RW18BA-TR-F	B	23.8/3.4
IC2	1180002201	S.IC RN5RZ33BA-TR-F	T	23.6/3.4
IC101	1130010011	S.IC TC7WHU04FU (TE12L,F)	B	15.6/5.1
IC201	1130007690	S.IC BU4066BCF-E2	T	26.7/53.4
IC301	1110005610	S.IC NJM2058V-TE1-#ZZZB	B	16.1/41.3
IC302	1110005610	S.IC NJM2058V-TE1-#ZZZB	B	7.2/41.4
IC401	1190001770	S.IC AK4518-VF-E2 #31, #32, 23E, 23J	T	22.7/17.8
IC501	1140010440	S.IC TMS320VC5401PGE	B	15.8/24
IC502	1130011151	S.IC SN74AHC2G08HDC3	B	26.4/43.9
IC503	1130010550	S.IC SN74AHC595PWR	T	13.6/19.8
IC601	1130012380	S.IC AT49BV001AN-55TI	T	6.3/24.9
IC604	1130011151	S.IC SN74AHC2G08HDC3	T	13/31.2
D1	1790001711	S.DIO NNCDS.6C-T1-A	T	31.9/44.1
D2	1790001711	S.DIO NNCDS.6C-T1-A	T	24.7/43.1
D3	1790001711	S.DIO NNCDS.6C-T1-A	T	24.7/44.5
D4	1790001711	S.DIO NNCDS.6C-T1-A	B	21.5/53.3
D5	1790001711	S.DIO NNCDS.6C-T1-A	B	20.2/51.4
D6	1790001711	S.DIO NNCDS.6C-T1-A	B	21.3/58.1
D7	1790001711	S.DIO NNCDS.6C-T1-A	B	18.4/58.1
D501	1750000231	S.DIO 1SS315 (TPH3,F)	B	14.8/9.4
X101	6050010250	S.XTL CR-606 (15.990 MHz)	B	5.1/5.5
L1	6200001831	S.COL NLV32T-100J	T	26.7/46.7
L2	6200008950	S.COL LQH32MN221K23L	T	29.7/4.8
L3	6200008950	S.COL LQH32MN221K23L	B	30.1/5
L101	6200005011	S.COL NLV25T-100J	T	17.2/5
L401	6200005011	S.COL NLV25T-100J	B	30.5/30
L501	6200005011	S.COL NLV25T-100J	T	20.6/12.4
L502	6200005011	S.COL NLV25T-100J	T	16.7/12.2
L503	6200005011	S.COL NLV25T-100J	B	30.8/43
L504	6200005011	S.COL NLV25T-100J	T	11.2/13.2
L601	6200005011	S.COL NLV25T-100J	T	2.2/12
L604	6200005011	S.COL NLV25T-100J	T	12.4/36.7
R101	7030003800	S.RES ERJ3GEYJ 105 V (1 M)	B	13.2/4.1
R102	7030003460	S.RES ERJ3GEYJ 152 V (1.5 k)	B	13.2/6.8
R201	7030003800	S.RES ERJ3GEYJ 105 V (1 M)	B	17.4/51.6
R202	7030003640	S.RES ERJ3GEYJ 473 V (47 k)	T	23.4/58.1
R203	7030003640	S.RES ERJ3GEYJ 473 V (47 k)	T	30.3/48.9
R204	7030003680	S.RES ERJ3GEYJ 104 V (100 k)	T	30/58.1
R205	7030003600	S.RES ERJ3GEYJ 223 V (22 k)	T	30.3/47.6
R301	7030003800	S.RES ERJ3GEYJ 105 V (1 M)	T	26/59.6
R302	7030003800	S.RES ERJ3GEYJ 105 V (1 M)	T	30/59.6
R303	7030003940	S.RES ERJ3GEYF 104 V (100 k)	T	13.3/48.8
R304	7030010830	S.RES ERJ3GEYF 474 V (470 k)	T	13.3/47.5
R305	7030003680	S.RES ERJ3GEYJ 104 V (100 k)	T	15.2/44.9
R306	7030003680	S.RES ERJ3GEYJ 104 V (100 k)	T	17.9/44.9
R307	7030003680	S.RES ERJ3GEYJ 104 V (100 k)	T	15.1/42.3
R308	7030003680	S.RES ERJ3GEYJ 104 V (100 k)	T	18.8/40.9
R309	7030003940	S.RES ERJ3GEYF 104 V (100 k)	B	2.8/38.4
R310	7030003620	S.RES ERJ3GEYJ 333 V (33 k)	B	2.8/37.1
R311	7030003680	S.RES ERJ3GEYJ 104 V (100 k)	T	8.9/40
R312	7030003680	S.RES ERJ3GEYJ 104 V (100 k)	T	7.7/41.9
R313	7030003680	S.RES ERJ3GEYJ 104 V (100 k)	T	12.7/42.9
R314	7030003680	S.RES ERJ3GEYJ 104 V (100 k)	T	11.4/44.2
R315	7030003560	S.RES ERJ3GEYJ 103 V (10 k)	T	7.3/45.3
R316	7030003600	S.RES ERJ3GEYJ 223 V (22 k)	T	6/45.3
R317	7030003800	S.RES ERJ3GEYJ 105 V (1 M)	T	4.1/43.4
R318	7030003800	S.RES ERJ3GEYJ 105 V (1 M)	T	3.3/45.3
R319	7030006461	S.RES ERA3YED 152V (1.5 k)	B	13.9/37.9
R320	7030003450	S.RES ERJ3GEYJ 122 V (1.2 k)	T	16.9/36.1
R401	7030003200	S.RES ERJ3GEYJ 100 V (10)	T	31.4/16.8
R402	7030003560	S.RES ERJ3GEYJ 103 V (10 k)	T	28.7/18
R403	7030003560	S.RES ERJ3GEYJ 103 V (10 k)	T	29.1/16.7
R404	7030003560	S.RES ERJ3GEYJ 103 V (10 k)	T	17.6/17.6
R406	7030003400	S.RES ERJ3GEYJ 471 V (470)	T	15.5/32.7
R407	7030003800	S.RES ERJ3GEYJ 105 V (1 M)	T	10.3/40
R408	7030003800	S.RES ERJ3GEYJ 105 V (1 M)	T	12.9/40.3
R501	7030003560	S.RES ERJ3GEYJ 103 V (10 k)	B	17.8/36.3
R502	7030003560	S.RES ERJ3GEYJ 103 V (10 k)	B	19.7/37.2
R503	7030003560	S.RES ERJ3GEYJ 103 V (10 k)	B	21/37.2
R504	7030003560	S.RES ERJ3GEYJ 103 V (10 k)	B	29.2/21.8
R505	7030003560	S.RES ERJ3GEYJ 103 V (10 k)	B	29.2/20.5
R506	7030003560	S.RES ERJ3GEYJ 103 V (10 k)	B	29.2/19.1
R507	7030003560	S.RES ERJ3GEYJ 103 V (10 k)	B	29.2/17.8
R508	7030003560	S.RES ERJ3GEYJ 103 V (10 k)	B	28.5/13.1
R509	7030003560	S.RES ERJ3GEYJ 103 V (10 k)	B	22.4/10.2
R510	7030003560	S.RES ERJ3GEYJ 103 V (10 k)	B	22.4/11.5
R511	7030003560	S.RES ERJ3GEYJ 103 V (10 k)	B	20.6/11
R512	7030003560	S.RES ERJ3GEYJ 103 V (10 k)	B	23/7
R513	7030003560	S.RES ERJ3GEYJ 103 V (10 k)	B	22/8.7
R514	7030003560	S.RES ERJ3GEYJ 103 V (10 k)	B	22.3/37.2
R515	7030003560	S.RES ERJ3GEYJ 103 V (10 k)	T	29.5/43.9
R516	7030003560	S.RES ERJ3GEYJ 103 V (10 k)	T	27.1/43.5
R517	7030003610	S.RES ERJ3GEYJ 273 V (27 k)	B	22.9/44.3
R518	7030003560	S.RES ERJ3GEYJ 103 V (10 k)	B	30.8/45.5
R519	7030003610	S.RES ERJ3GEYJ 273 V (27 k)	B	28.9/46.3
R520	7030003610	S.RES ERJ3GEYJ 273 V (27 k)	B	25.3/40.3
R521	7030003640	S.RES ERJ3GEYJ 473 V (47 k)	B	22.5/39.6
R522	7030003610	S.RES ERJ3GEYJ 273 V (27 k)	T	29/42.6
R523	7030003640	S.RES ERJ3GEYJ 473 V (47 k)	B	22.2/42.2
R524	7030003610	S.RES ERJ3GEYJ 273 V (27 k)	B	28.1/39.2
R525	7030003640	S.RES ERJ3GEYJ 473 V (47 k)	B	22.5/40.9
R526	7030003360	S.RES ERJ3GEYJ 221 V (220)	T	14.2/12.3
R531	7030003560	S.RES ERJ3GEYJ 103 V (10 k)	B	1.8/12
R532	7030003560	S.RES ERJ3GEYJ 103 V (10 k)	B	1.8/14.6

[MAIN UNIT]

REF NO.	ORDER NO.	DESCRIPTION	M.	H/V LOCATION
R533	7030003560	S.RES ERJ3GEYJ 103 V (10 k)	B	1.8/17.4
R534	7030003560	S.RES ERJ3GEYJ 103 V (10 k)	B	2.2/19.2
R535	7030003560	S.RES ERJ3GEYJ 103 V (10 k)	B	2.2/20.5
R536	7030003560	S.RES ERJ3GEYJ 103 V (10 k)	B	2.2/21.8
R537	7030003560	S.RES ERJ3GEYJ 103 V (10 k)	B	1.9/25.1
R538	7030003560	S.RES ERJ3GEYJ 103 V (10 k)	B	2.2/23.2
R539	7030003560	S.RES ERJ3GEYJ 103 V (10 k)	T	30.1/46
R601	7030003560	S.RES ERJ3GEYJ 103 V (10 k)	T	7.4/36.9
C1	4030011600	S.CER C1608 JB 1E 104K-T	B	25.7/3.3
C2	4030011600	S.CER C1608 JB 1E 104K-T	T	21.9/3.3
C3	4030011600	S.CER C1608 JB 1E 104K-T	B	23.8/5.7
C4	4550006250	S.TAN TEESVA 1A 106M8R	T	19.5/4.8
C5	4550006250	S.TAN TEESVA 1A 106M8R	B	27.5/4.6
C6	4550006250	S.TAN TEESVA 1A 106M8R	B	20/4.5
C7	4550006250	S.TAN TEESVA 1A 106M8R	T	26.3/4.7
C8	4030011600	S.CER C1608 JB 1E 104K-T	T	21.2/3.8
C101	4030011600	S.CER C1608 JB 1E 104K-T	B	18/5.3
C102	4030007020	S.CER C1608 CH 1H 102K-T	B	11.9/3.7
C103	4030007040	S.CER C1608 CH 1H 102K-T	B	11.9/6.2
C104	4030006930	S.CER C1608 CH 1H 020C-T	B	10.1/5.2
C201	4030011600	S.CER C1608 JB 1E 104K-T	T	23.4/59.6
C301	4030011600	S.CER C1608 JB 1E 104K-T	B	16.4/45.1
C302	4550006250	S.TAN TEESVA 1A 106M8R	T	21.9/46.7
C303	4030011600	S.CER C1608 JB 1E 104K-T	B	2.6/43.2
C304	4550006250	S.TAN TEESVA 1A 106M8R	B	6.9/45.3
C305	4030011600	S.CER C1608 JB 1E 104K-T	T	28/58.8
C306	4030011600	S.CER C1608 JB 1E 104K-T	T	13.3/50.1
C307	4030011330	S.CER C1608 CH 1H 391J-T	T	15/43.6
C308	4030010760	S.CER C1608 CH 1H 331J-T	T	17.8/43.6
C309	4030006860	S.CER C1608 JB 1H 102K-T	T	15/41
C310	4030007150	S.CER C1608 CH 1H 151J-T	T	18.8/42.2
C311	4030011600	S.CER C1608 JB 1E 104K-T	B	2.4/40.3
C312	4030011330	S.CER C1608 CH 1H 391J-T	T	10.7/41.9
C313	4030010760	S.CER C1608 CH 1H 331J-T	T	4.9/41.2
C314	4030006860	S.CER C1608 JB 1H 102K-T	T	9.5/43.5
C315	4030007150	S.CER C1608 CH 1H 151J-T	T	8.7/45.3
C316	4030011600	S.CER C1608 JB 1E 104K-T	T	4.7/45.3
C317	4550006250	S.TAN TEESVA 1A 106M8R	T	22.7/48.8
C318	4550000460	S.TAN TEESVA 1C 105M8R	T	15.1/36.7
C401	4550006250	S.TAN TEESVA 1A 106M8R	T	27.5/23.1
C402	4030011600	S.CER C1608 JB 1E 104K-T	T	28.5/21.4
C403	4550006320	S.TAN ECST0JY475R	T	30.9/20.9
C404	4550007230	S.TAN F930J475MAABMA	T	30.9/20.9
C405	4030011600	S.CER C1608 JB 1E 104K-T	T	28.5/19.5
C406	4550006250	S.TAN TEESVA 1A 106M8R	T	24.2/10.4
C407	4030011600	S.CER C1608 JB 1E 104K-T	T	27.8/14.8
C408	4550006320	S.TAN ECST0JY475R	T	23.8/23.1
C409	4550007230	S.TAN F930J475MAABMA	T	17/28.7
C410	4030011600	S.CER C1608 JB 1E 104K-T	T	22.5/23.1
C411	4550006320	S.TAN ECST0JY475R	T	17/26.6
C412	4030006870	S.CER C1608 JB 1H 222K-T	T	16.3/30.8
C413	4030011600	S.CER C1608 JB 1E 104K-T	T	16.8/32.7
C414	4030011600	S.CER C1608 JB 1E 104K-T	T	19.4/23
C501	4030011600	S.CER C1608 JB 1E 104K-T	B	7.8/36.4
C502	4030011600	S.CER C1608 JB 1E 104K-T	B	15.7/37.1
C503	4030011600	S.CER C1608 JB 1E 104K-T	B	23.8/37.3
C504	4030011600	S.CER C1608 JB 1E 104K-T	B	28.8/27
C505	4030011600	S.CER C1608 JB 1E 104K-T	B	29.7/23.7
C506	4030011600	S.CER C1608 JB 1E 104K-T	B	28.3/15.7
C507	4030011600	S.CER C1608 JB 1E 104K-T	B	24.6/10.8
C508	4030011600	S.CER C1608 JB 1E 104K-T	B	15/11.8
C509	4030011600	S.CER C1608 JB 1E 104K-T	B	3.6/16.1
C510	4030011600	S.CER C1608 JB 1E 104K-T	B	3.2/25.1
C511	4030011600	S.CER C1608 JB 1E 104K-T	B	2.9/27
C512	4030011600	S.CER C1608 JB 1E 104K-T	B	4.9/34.4
C513	4030011600	S.CER C1608 JB 1E 104K-T	B	26.2/46.3
C514	4030011600	S.CER C1608 JB 1E 104K-T	T	14.2/13.9
C601	4030011600	S.CER C1608 JB 1E 104K-T	T	4.9/6
C604	4030011600	S.CER C1608 JB 1E 104K-T	T	12.8/34.5
J1	6510020421	S.CNR S4B-PH-SM4-TB (LF) (SN)	B	

SECTION 6

MECHANICAL PARTS

[CHASSIS PARTS]

REF NO.	ORDER NO.	DESCRIPTION	QTY.
J1	651000370	MR-DS	1
P1	6510003240	TMP-P01X-A1	1
W1	9022400010	62/99/085/C31/W17D	1
W2	9086700300	wire 08	1
W3	8900007000	OPC-684	1
W4	8900007000	OPC-684	1
W5	8900007000	OPC-684	1
W6	8900007000	OPC-684	1
EP1	Optional product	UT-106 [USA], [USA-1] only	1
MP1	8010017711	2240 MAIN CHASSIS-1	1
MP2	8110006703	2240 U-COVER-3	1
MP3	8110006691	2240 L-COVER-1	1
MP4	8930005790	color reg (A)	1
MP5	8930005800	color reg (B)	1
MP6	8010001520	stand (C)	1
MP7	8930002900	rubber leg (A) SK1912A	2
MP8	8930035240	1546 TR-B CLIP	1
MP9	8930049600	2240 IC CLIP	1
MP10	8810001651	Screw BT C0 3X6 ZC3 (FT)	4
MP11	8810008661	Screw BT B0 3X8 NI-ZC3 (BT)	2
MP12	8810008661	Screw BT B0 3X8 NI-ZC3 (BT)	2
MP13	8810005771	Screw BiH M3X8 ZK3	8
MP14	8810005771	Screw BiH M3X8 ZK3	2
MP15	8810008661	Screw BT B0 3X8 NI-ZC3 (BT)	6
MP16	8810008661	Screw BT B0 3X8 NI-ZC3 (BT)	5
MP17	8810008661	Screw BT B0 3X8 NI-ZC3 (BT)	2
MP18	8810008661	Screw BT B0 3X8 NI-ZC3 (BT)	1
MP19	8930037001	1691 EARTH PLATE-1	1
MP20	8810008661	Screw BT B0 3X8 NI-ZC3 (BT)	2
MP22	8810009131	Screw BT B0 3X12NI-ZC3 (BT)	2
MP23	8410002310	2240 HEATSINK	1
MP24	8810008661	Screw BT B0 3X8 NI-ZC3 (BT)	2
MP25	8930049611	2240 UNIT HOLDER-1	1
MP26	8810003961	Setscrew (A) 2.6X5 ZC3	2
MP28	8930018810	Thermal sheet (AA)	2
MP29	8930048120	SHIELD TAPE (A)	1
MP30	8930049260	Thermal sheet (CA)	2
MP31	8930048960	SHIELD TAPE (B)	1
MP32	8930070820	Shield sponge (BK)	1
MP33	8930049900	SHIELD TAPE (E)	2
MP34	8930050280	copper sheet (H)	3
MP35	8930050050	sponge (GJ)	1
MP36	8930045530	tape (F) [USA], [USA-1] only	1

[FRONT UNIT]

REF NO.	ORDER NO.	DESCRIPTION	QTY.
P1	6510018980	PHR-2	1
SP1	2510000671	VS-C50-0827	1
W1	9020720160	51/99/090/B11A/W19A	1
W2	9011130780	wire 00	1
W3	8900014740	OPC-885A	1
W4	8900015930	OPC-886A	1
W5	8900007000	OPC-684	1
EP1	6910012480	RMS20-250-201-1R	1
EP2	6450001230	HLJ0999-01-480 (Snap plate)	1
MP1	8210016031	2240 FRONT PANEL-1	1
MP2	8930001770	saran net	1
MP4	8930048740	2240 9-KEY	1
MP5	8930048730	2240 6-KEY	1
MP6	8930048750	2240 20-KEY	1
MP7	8930048710	2240 BRAKE PLATE	1
MP8	8930036740	1691 BRAKE PAD	2
MP9	8930049370	2240 BRAKE SHEET	1
MP10	8830001010	HEX NUT (A)	1
MP11	8830001010	HEX NUT (A)	1
MP12	8830001410	1897 NUT	1
MP13	8610010420	Knob N-261	1
MP14	8610010420	Knob N-261	1
MP15	8610010710	Knob N-272	1
MP16	8610010710	Knob N-272	1
MP17	8610009160	Knob N-213 BASE	1
MP18	8610009171	KNOB N-213 COVER-1	1
MP19	8610009190	Knob N-213 FINGER REST	1
MP20	8930032340	1424 N-SPRING	1
MP21	8010017772	2240 F-CHASSIS-2	1
MP24	8810008661	Screw BT B0 3X8 NI-ZC3 (BT)	5
MP25	8810008661	Screw BT B0 3X8 NI-ZC3 (BT)	1
MP26	8930048891	2240 SP HOLDER-1	1
MP27	8810008661	Screw BT B0 3X8 NI-ZC3 (BT)	4

[FRONT UNIT]

REF NO.	ORDER NO.	DESCRIPTION	QTY.
MP28	8810008661	Screw BT B0 3X8 NI-ZC3 (BT)	4
MP29	8610007510	knob spring NO.7800	1
MP30	8610007510	knob spring NO.7800	1
MP31	8930049770	sponge (GF)	5
MP32	8930047440	Insulation sheet (FJ)	4
MP33	8930029050	Thermal sheet (AL)	1
MP34	8930049880	2240 LCD SPONGE	1
MP35	8930049860	2240 L-SHEET	1
MP36	8930038920	Thermal sheet (BH)	4
MP37	8930049870	2240 SP SPONGE	1
MP39	8930070820	Shield sponge (BK)	2
MP40	8930070870	Shield sponge (BL)	1

[DISPLAY UNIT]

REF NO.	ORDER NO.	DESCRIPTION	QTY.
DS101	5030001690	HLC7395-012400	1
EP2	8930049631	SRCN-2240-SP-N-W-1	1
MP1	8210016061	2240 REFLECTOR-1	1
MP2	8930048880	2240 LCD HOLDER	1
MP3	8930049380	2240 LCD FILTER	1
MP4	8930029050	Thermal sheet (AL)	1
MP5	8930039570	rubber sheet (U)	1
MP6	8930001170	earth spring (A)	1

[MAIN UNIT]

REF NO.	ORDER NO.	DESCRIPTION	QTY.
RL121	6330000180	MZ-12HG	1
RL141	6330000180	MZ-12HG	1
J101	6510021460	PT-C02P01	1
J111	6510007020	TMP-J01X-V6	1
J411	6510007020	TMP-J01X-V6	1
J491	6510007020	TMP-J01X-V6	1
J781	6450001560	PD-72	1
J782	6450001560	PD-72	1
J783	6450001560	PD-72	1
J784	6450001560	PD-72	1
J811	6510007020	TMP-J01X-V6	1
J881	6450001560	PD-72	1
J882	6450001560	PD-72	1
J883	6450001560	PD-72	1
J884	6450001560	PD-72	1
J1081	6510007020	TMP-J01X-V6	1
J1241	6510009870	PD054-02M	1
J1311	6450001800	JPJ1044-01-010	1
J1321	6450000140	HSJ0807-01-010	1
J1351	6510023650	HEC0740-010618	1
J1522	6510021861	BH-800-4GG	1
J1701	6450000140	HSJ0807-01-010	1
J1751	6510021241	DELIC-J9SAF-23L9E	1
P1241	6510018990	PHR-4	1
F1351	5210000051	FGB 3A PBF	1
F1352	5220000230	S-N5054 #01	1
F1353	5220000230	S-N5054 #01	1
BT1521	3020000110	CR2032	1
W1241	9016910300	51/99/130/B11A/D33A	1
W1242	9011130780	wire 00 AA	1
MP1	8930014140	earth spring (D)	1
MP2	8930014140	earth spring (D)	1
MP3	8930014140	earth spring (D) [USA], [USA-1] only	1
MP4	8930014140	earth spring (D) [USA], [USA-1] only	1
MP101	8510012440	2240 T-PLATE	1
MP381	8510005980	724 Shield case	1
MP382	8510005990	724 Shield case cover	1
MP441	8510005150	602 Shield case	1
MP442	8510005160	602 Shield case cover	1
MP461	8930005320	Filter spacer	1
MP491	8510005330	coil case (SX-644)	1
MP701	8930005200	crystal holder	1
MP881	8930011820	455 filter holder	1
MP1411	8510002200	VCO case FX-15)	1
MP1751	89300050040	2240 D-SUB PLATE [USA], [USA-1] only	1

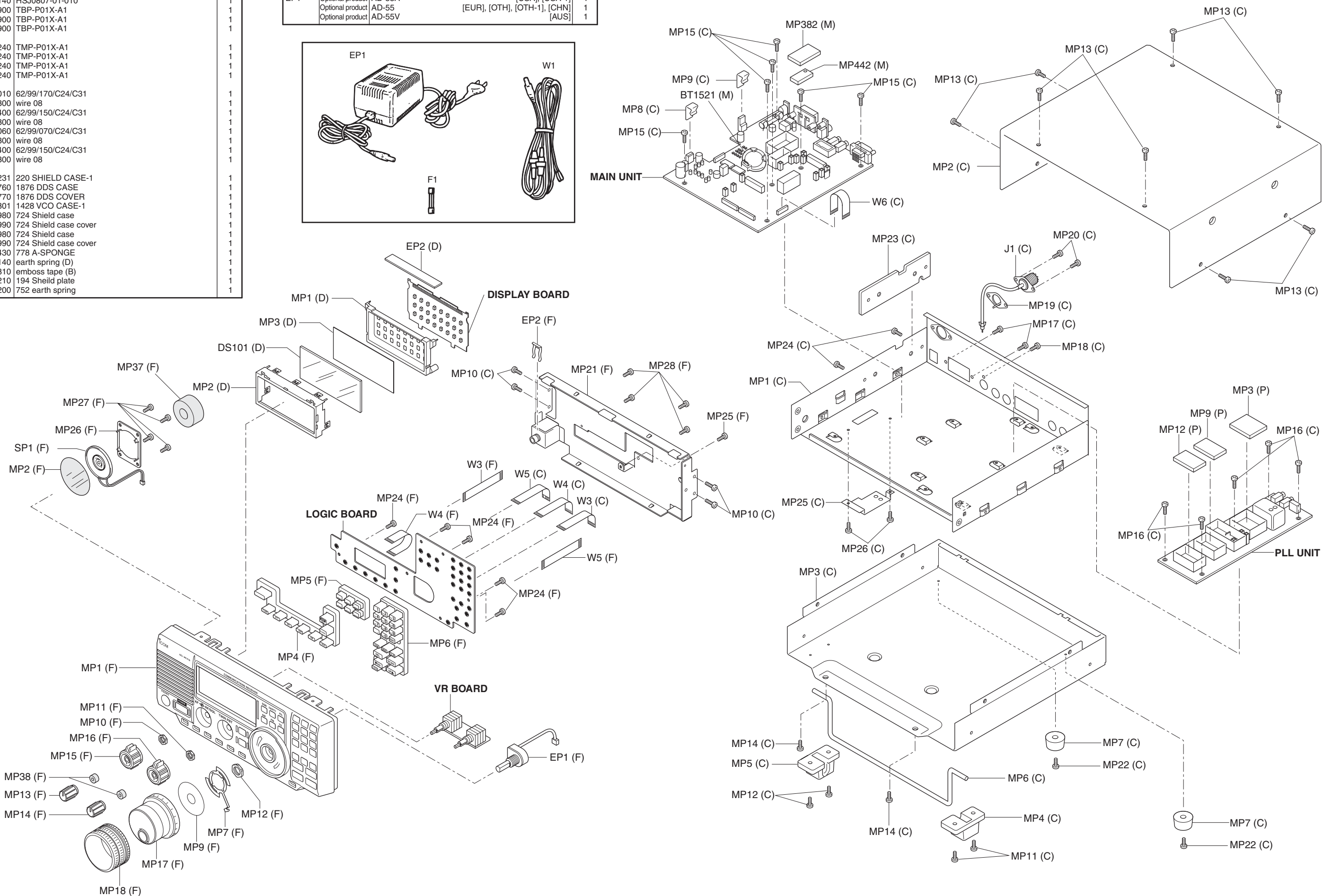
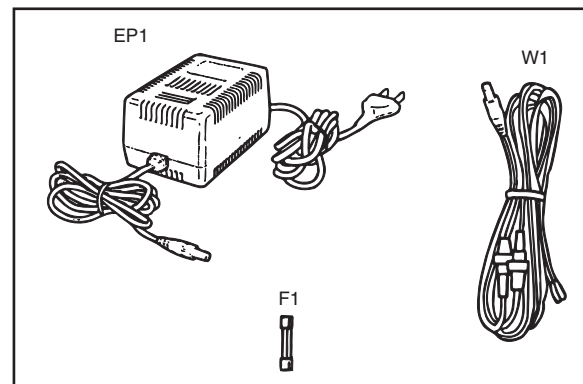
Screw abbreviations A, B0, BT: Self-tapping PH: Pan head ZK: Black NI-ZU: Nickel-Zinc SUS: Stainless

[PLL UNIT]

REF NO.	ORDER NO.	DESCRIPTION	QTY.
RL1	6330001320	AHY103	1
J1	6510007900	TBP-P01X-A1	1
J3	6450000140	HSJ0807-01-010	1
J4	6450000140	HSJ0807-01-010	1
J91	6510007900	TBP-P01X-A1	1
J151	6510007900	TBP-P01X-A1	1
J201	6510007900	TBP-P01X-A1	1
P1	6510003240	TMP-P01X-A1	1
P91	6510003240	TMP-P01X-A1	1
P151	6510003240	TMP-P01X-A1	1
P201	6510003240	TMP-P01X-A1	1
W10	9014130010	62/99/170/C24/C31	1
W11	9086700300	wire 08	1
W12	9014130400	62/99/150/C24/C31	1
W13	9086700300	wire 08	1
W14	9018970060	62/99/070/C24/C31	1
W15	9086700300	wire 08	1
W16	9014130400	62/99/150/C24/C31	1
W17	9086700300	wire 08	1
MP1	8510000231	220 SHIELD CASE-1	1
MP2	8510010760	1876 DDS CASE	1
MP3	8510010770	1876 DDS COVER	1
MP5	8510008801	1428 VCO CASE-1	1
MP8	8510005980	724 Shield case	1
MP9	8510005990	724 Shield case cover	1
MP11	8510005980	724 Shield case	1
MP12	8510005990	724 Shield case cover	1
MP13	8930038430	778 A-SPONGE	1
MP14	8930014140	earth spring (D)	1
MP15	8930027810	emboss tape (B)	1
MP16	8510000210	194 Shield plate	1
MP17	8930017200	752 earth spring	1

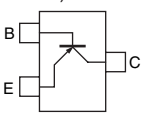
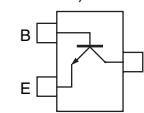
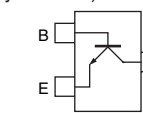
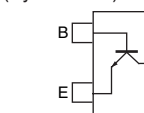
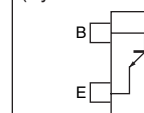
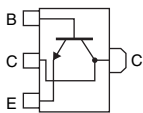
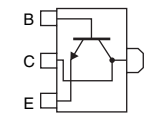
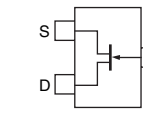
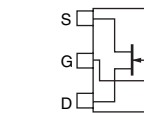
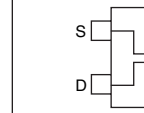
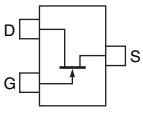
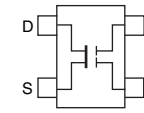
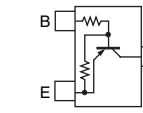
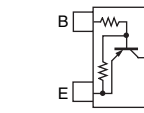
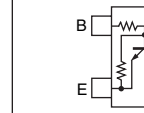
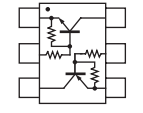
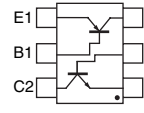
[ACCESSORIES]

REF NO.	ORDER NO.	DESCRIPTION	QTY.
F1	5210000051	FGB 3A PBF	1
W1	8900008950	OPC-869 [UK], [DEN], [SEA] only	1
EP1	Optional product	AD-55A [USA], [USA-1]	1
	Optional product	AD-55 [EUR], [OTH], [OTH-1], [CHN]	1
	Optional product	AD-55V [AUS]	1

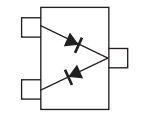
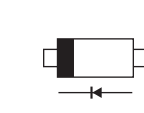
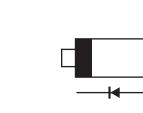
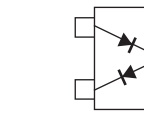
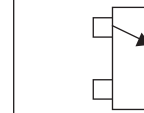
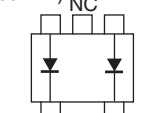
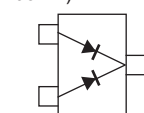
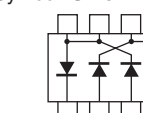
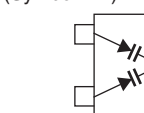
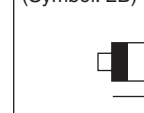
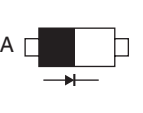
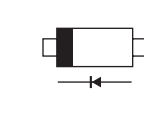
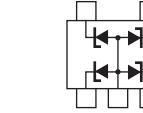


SECTION 7 SEMICONDUCTOR INFORMATION

• TRANSISTOR AND FET'S

2SA1576 R (Symbol: FR) 	2SC4081 R (Symbol: BR) 	2SC4116 BL (Symbol: LL) 	2SC4117 BL (Symbol: CL) 	2SC4405 3 (Symbol: OY3) 
2SC4673 D (Symbol: CO) 	2SD1664 Q (Symbol: DA) 	2SK1740 (Symbol: IJ) 	2SK2171 4 (Symbol: KM) 	2SK508 K52 (Symbol: K52) 
2SK882 GR (Symbol: TGR) 	3SK131 MAS (Symbol: V11) 	DTA114 EU (Symbol: 14) 	DTA144 EU (Symbol: 16) 	DTC114 EU (Symbol: 14) 
XP4311 (Symbol: 3X) 	XP4601 (Symbol: 5C) 			

• DIODES

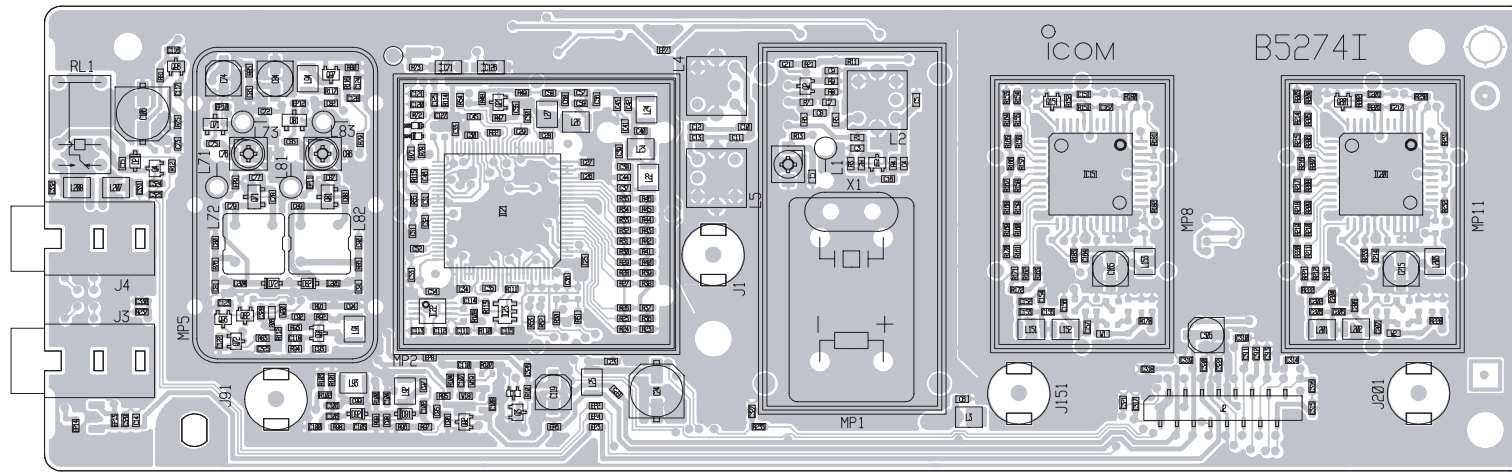
1SS302 (Symbol: C3) 	1SS355 (Symbol: A) 	1SS373 (Symbol: S4) 	1SS375 (Symbol: FH) 	1SV263 (Symbol: JV) 
1SV265 (Symbol: LV) 	DAN222 (Symbol: N) 	HSB88WS (Symbol: Silver line) 	KV1470 (Symbol: F7) 	MA729 (Symbol: 2B) 
MA77 (Symbol: 4B) 	MA8051 M (Symbol: 5^1) 	NNCD6.2G (Symbol: 6.2G) 		

SECTION 8

BOARD LAYOUTS

8-1 IC-R75

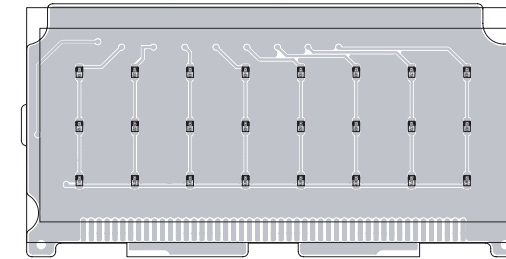
• PLL UNIT (TOP VIEW)



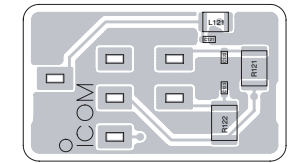
1	14V	14V	16
2	GND	GND	15
3	AFPO	AFPO	14
4	ISPO	ISPO	13
5	GND	GND	12
6	PST1	PST1	11
7	PST2	PST2	10
8	PST3	PST3	9
9	PCO2	PCO2	8
10	PCO1	PCO1	7
11	PCO2	PCO2	6
12	PCO1	PCO1	5
13	PCO2	PCO2	4
14	PCO1	PCO1	3
15	PCO2	PCO2	2
16	PCO1	PCO1	1

J2 to MAIN unit J1501

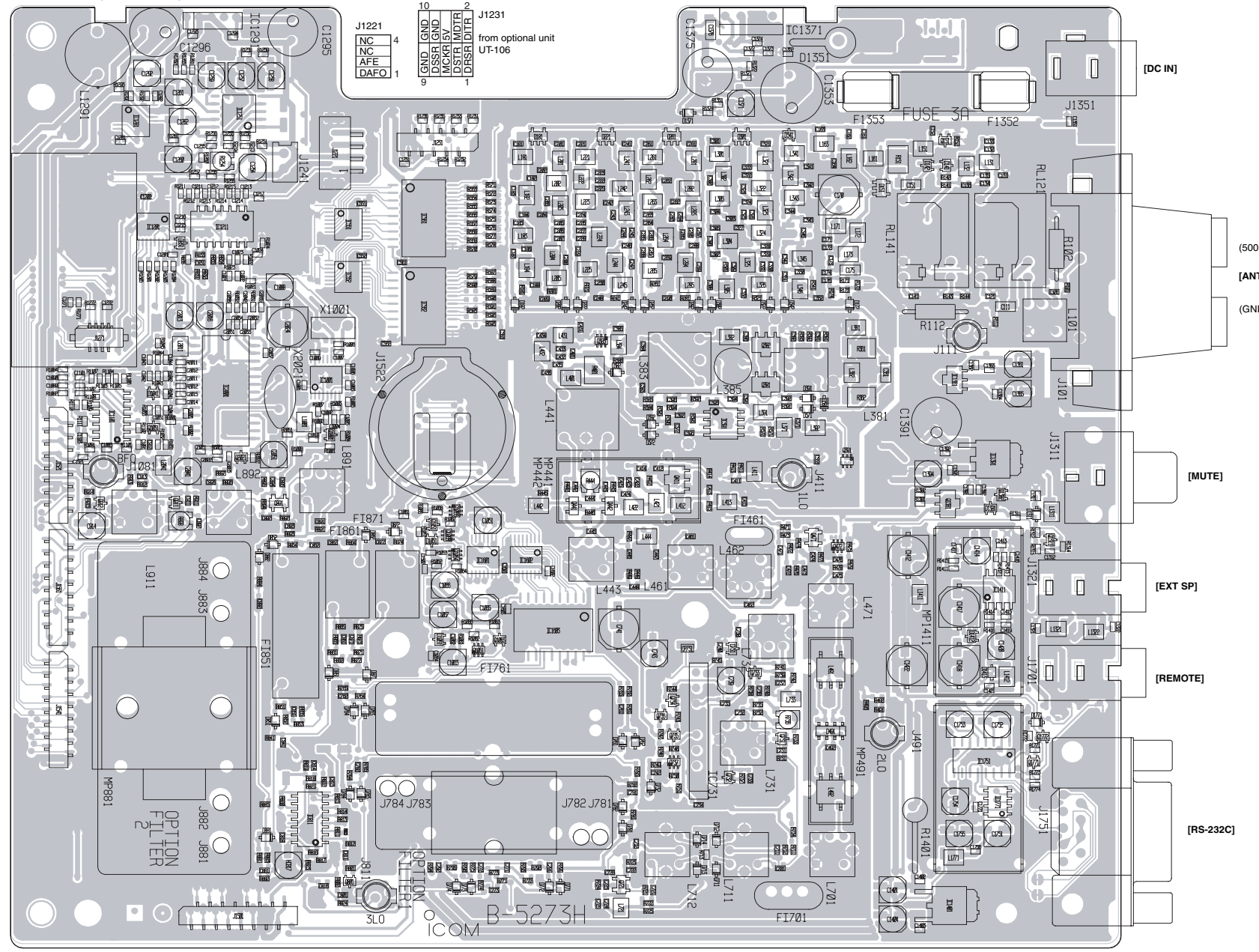
• DISPLAY BOARD (TOP VIEW)



• PHONE BOARD (TOP VIEW)



• MAIN UNIT (TOP VIEW)



1	MDAT	SPST	2
2	BUSY	MDK	1
3	5V	SPCE	16
4	GND	SPFCH	15
5	5V	SPFCH	14
6	GND	SPFCH	13
7	5V	SPFCH	12
8	GND	SPFCH	11
9	5V	SPFCH	10
10	GND	SPFCH	9
11	5V	SPFCH	8
12	GND	SPFCH	7
13	5V	SPFCH	6
14	GND	SPFCH	5
15	5V	SPFCH	4
16	GND	SPFCH	3

from optional unit UT-102

1	AFPO	AFPO	2
2	ISPO	ISPO	1
3	5V	SPCE	16
4	8V	GND	15
5	14V	HVR	14
6	14V	BATT	13
7	14V	BATT	12
8	14V	BATT	11
9	14V	BATT	10
10	14V	BATT	9
11	14V	BATT	8
12	14V	BATT	7
13	14V	BATT	6
14	14V	BATT	5
15	14V	BATT	4
16	14V	BATT	3

1	RFQV	AFQV	2
2	SML	FMNL	1
3	EMTI	SALI	16
4	BEEP	RECS	15
5	SQLS	AGRS	14
6	RXS	SBSY	13
7	SPST	GND	12
8	CIV	CIVE	11
9	CIV	CIVE	10
10	CIV	CIVE	9
11	CIV	CIVE	8
12	CIV	CIVE	7
13	CIV	CIVE	6
14	CIV	CIVE	5
15	CIV	CIVE	4
16	CIV	CIVE	3

1	PWRC	DSPS	2
2	DINT	DSTB	1
3	PST1	PST2	16
4	ASTB	MDAT	15
5	MCK	DRES	14
6	PDAT	PCK	13
7	PCO2	PST1	12
8	PST2	PST3	11
9	PST3	PST2	10
10	PST2	PST1	9
11	PST1	PST2	8
12	PST2	PST1	7
13	PST1	PST2	6
14	PST2	PST1	5
15	PST1	PST2	4
16	PST2	PST1	3

1	AFPO	AFPO	2
2	ISPO	ISPO	1
3	5V	SPCE	16
4	8V	GND	15
5	14V	HVR	14
6	14V	BATT	13
7	14V	BATT	12
8	14V	BATT	11
9	14V	BATT	10
10	14V	BATT	9
11	14V	BATT	8
12	14V	BATT	7
13	14V	BATT	6
14	14V	BATT	5
15	14V	BATT	4
16	14V	BATT	3

1	5V	MUP	1
2	MDN	MDN	2
3	GND	GND	3
4	GND	GND	4

J461 to MAIN DIAL unit

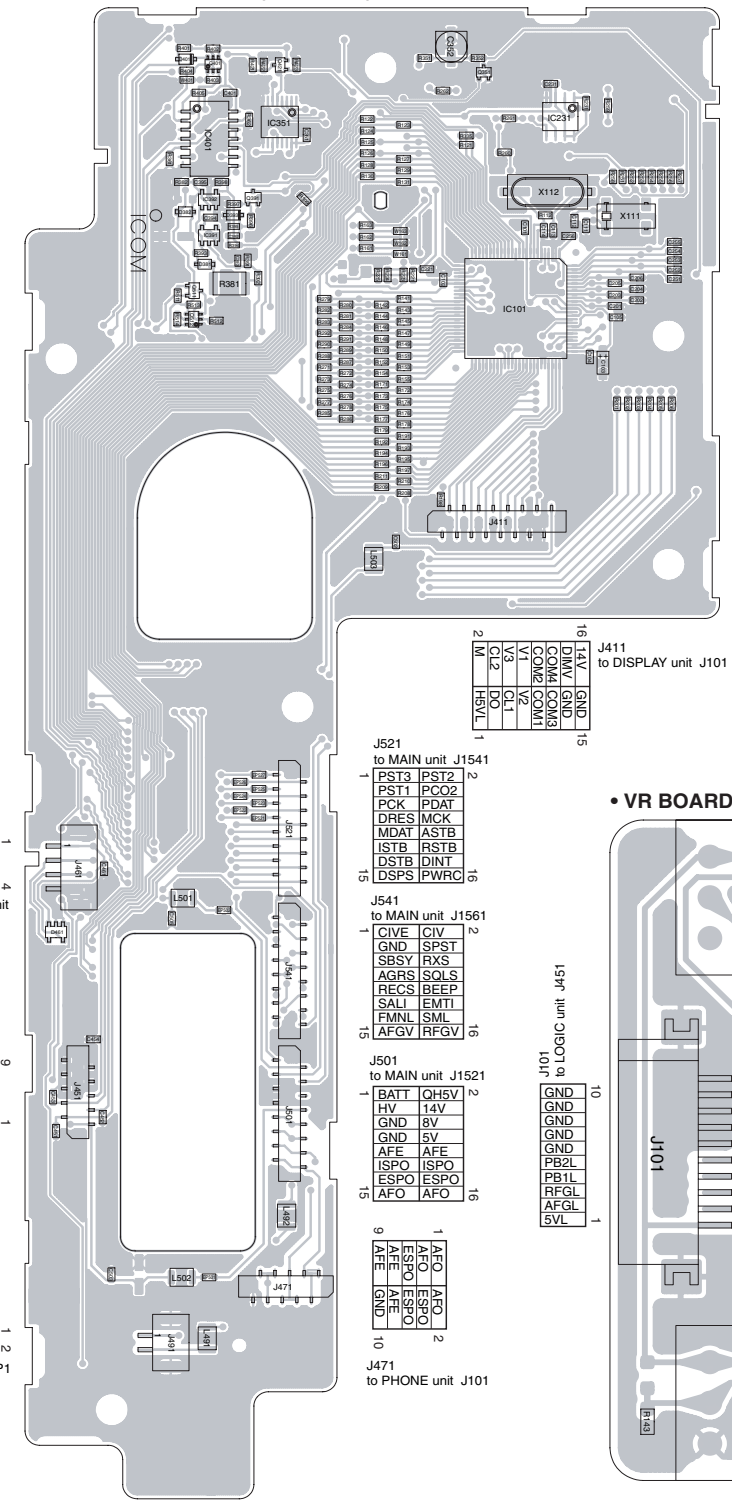
1	GND	GND	9
2	GND	GND	8
3	GND	PB2L	7
4	PB1L	AFGL	6
5	REFL	5V	5

J451 to VR unit J101

1	ISPO	ISPO	1
2	AFE	AFE	2

J491 to INT SP unit P1

• LOGIC BOARD (TOP VIEW)



1	14V	GND	15
2	14V	GND	14
3	14V	GND	13
4	14V	GND	12
5	14V	GND	11
6	14V	GND	10
7	14V	GND	9
8	14V	GND	8
9	14V	GND	7
10	14V	GND	6
11	14V	GND	5
12	14V	GND	4
13	14V	GND	3
14	14V	GND	2
15	14V	GND	1

J411 to DISPLAY unit J101

1	PST3	PST2	2
2	PST1	PCO2	1
3	PCK	PDAT	16
4	DRES	MCK	15
5	MDAT	ASTB	14
6	ISTB	RSTB	13
7	DSTB	DINT	12
8	DSPS	PWRC	11
9	DSPS	PWRC	10
10	DSPS	PWRC	9
11	DSPS	PWRC	8
12	DSPS	PWRC	7
13	DSPS	PWRC	6
14	DSPS	PWRC	5
15	DSPS	PWRC	4
16	DSPS	PWRC	3

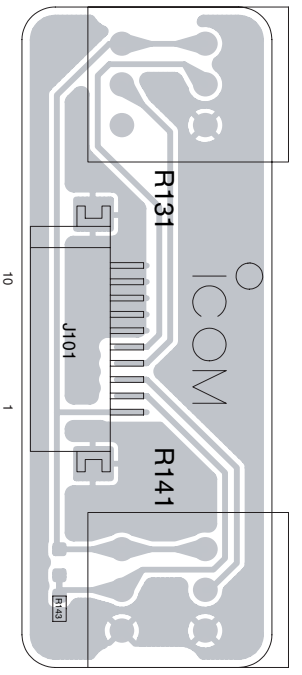
1	CIVE	CIV	2
2	GND	SPST	1
3	SBSY	RXS	16
4	AGRS	SQLS	15
5	RECS	BEEP	14
6	SALI	EMTI	13
7	FMNL	SML	12
8	AFQV	RFQV	11
9	AFQV	RFQV	10
10	AFQV	RFQV	9
11	AFQV	RFQV	8
12	AFQV	RFQV	7
13	AFQV	RFQV	6
14	AFQV	RFQV	5
15	AFQV	RFQV	4
16	AFQV	RFQV	3

1	BATT	QH5V	2
2	HV	14V	1
3	GND	8V	16
4	GND	8V	15
5	GND	5V	14
6	GND	5V	13
7	AFE	AFE	12
8	ISPO	ISPO	11
9	ESPO	ESPO	10
10	AFPO	AFPO	9
11	AFPO	AFPO	8
12	AFPO	AFPO	7
13	AFPO	AFPO	6
14	AFPO	AFPO	5
15	AFPO	AFPO	4
16	AFPO	AFPO	3

1	AFPO	AFPO	2
2	ESPO	ESPO	1
3	ESPO	ESPO	16
4	AFE	AFE	15
5	AFE	AFE	14
6	AFE	AFE	13
7	AFE	AFE	12
8	AFE	AFE	11
9	AFE	AFE	10
10	AFE	AFE	9
11	AFE	AFE	8
12	AFE	AFE	7
13	AFE	AFE	6
14	AFE	AFE	5
15	AFE	AFE	4
16	AFE	AFE	3

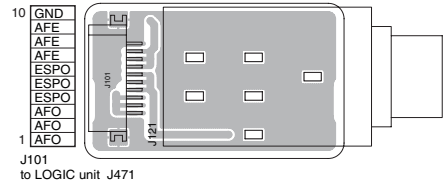
J471 to PHONE unit J101

• VR BOARD (TOP VIEW)

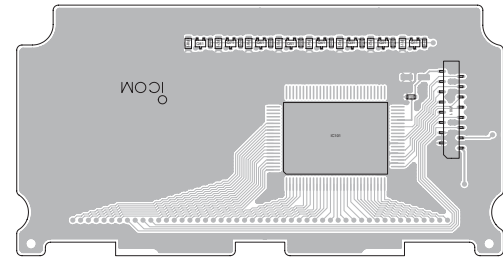


The combination of this side and the bottom side shows the board layout in the same configuration as the actual P.C.Board.

• PHONE BOARD (BOTTOM VIEW)

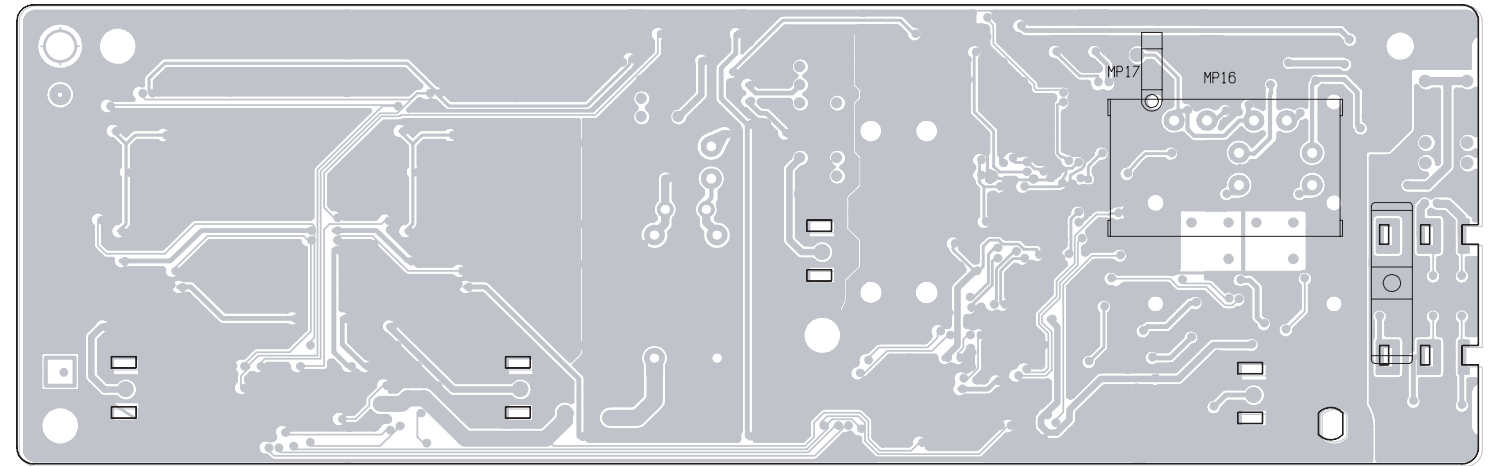


• DISPLAY BOARD (BOTTOM VIEW)

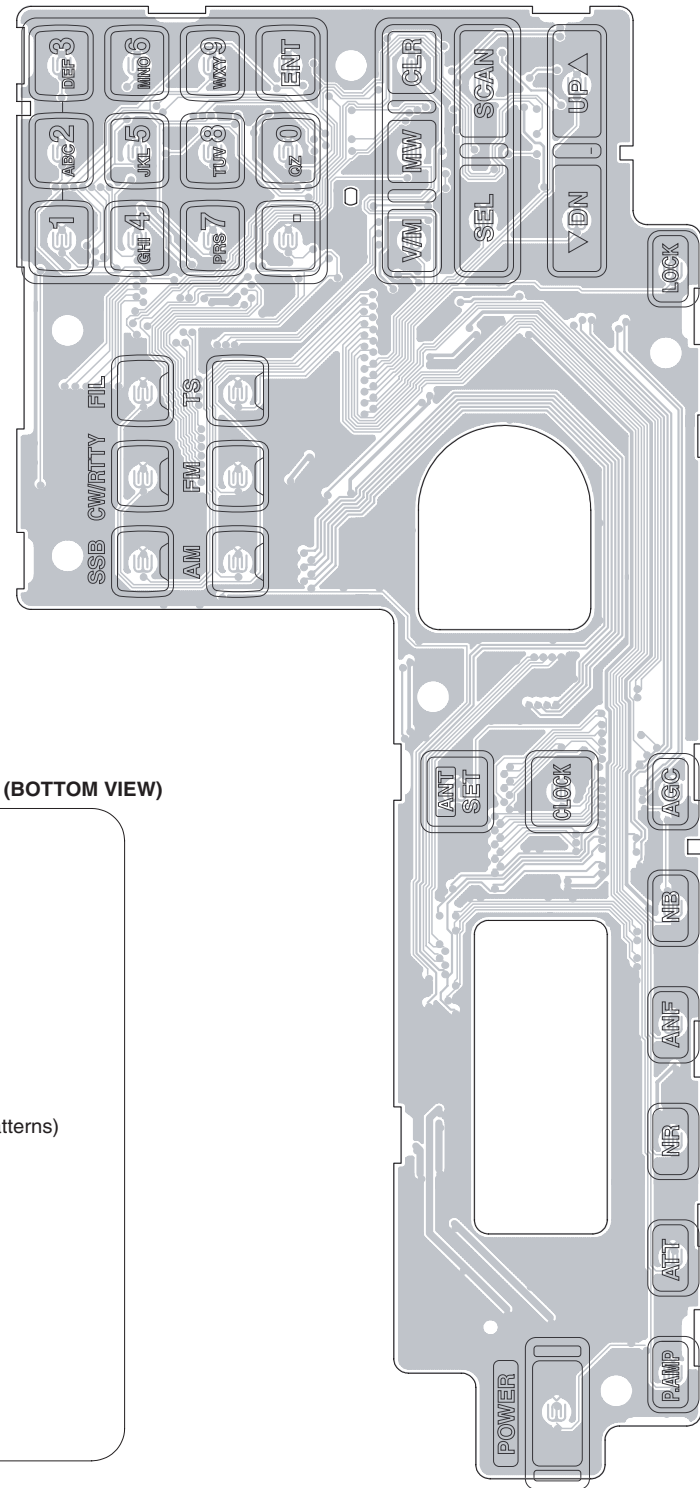


J101	to LOGIC unit J411	
16	14V	GND
15	DIMV	GND
14	COM4	COM3
13	COM2	COM1
12	V1	V2
11	V3	CL1
10	CL2	DO
9	M	H5VL
8		1

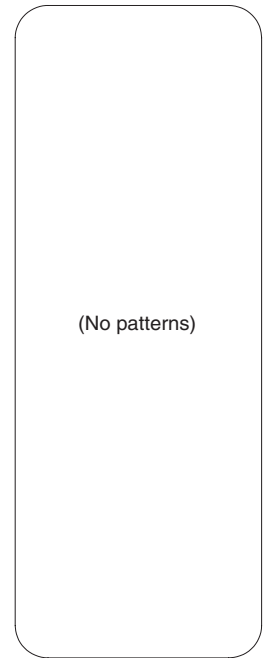
• PLL UNIT (BOTTOM VIEW)



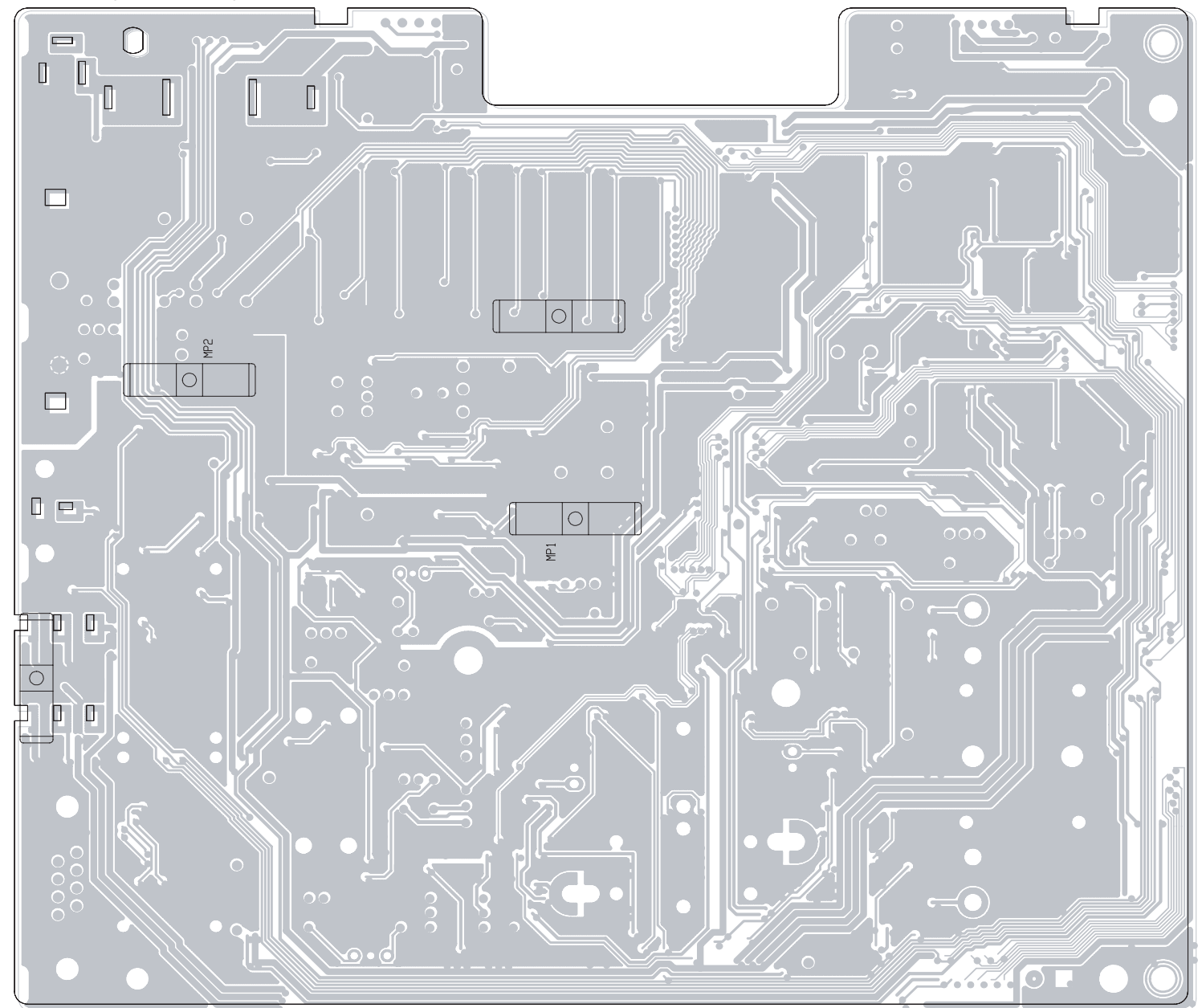
• LOGIC BOARD (BOTTOM VIEW)



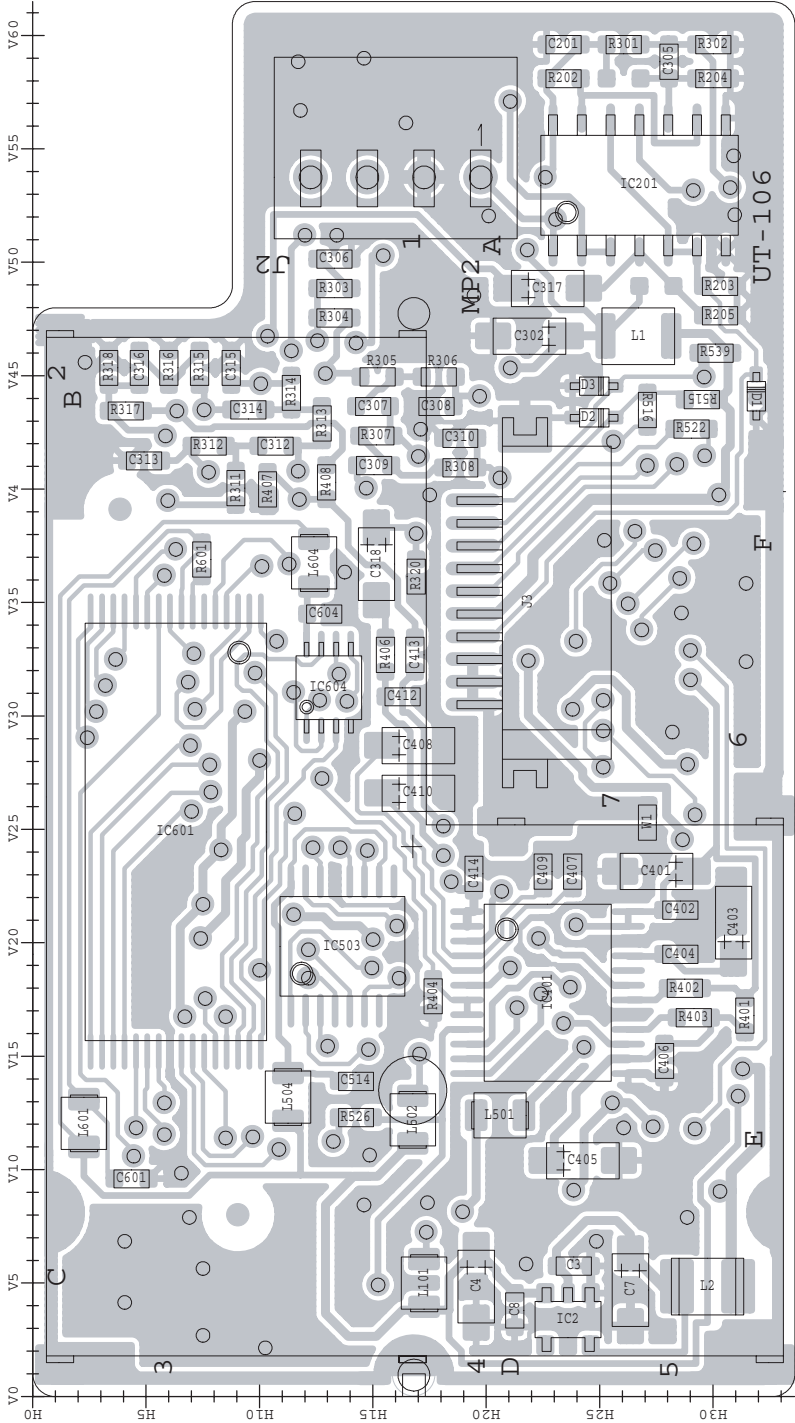
• VR BOARD (BOTTOM VIEW)



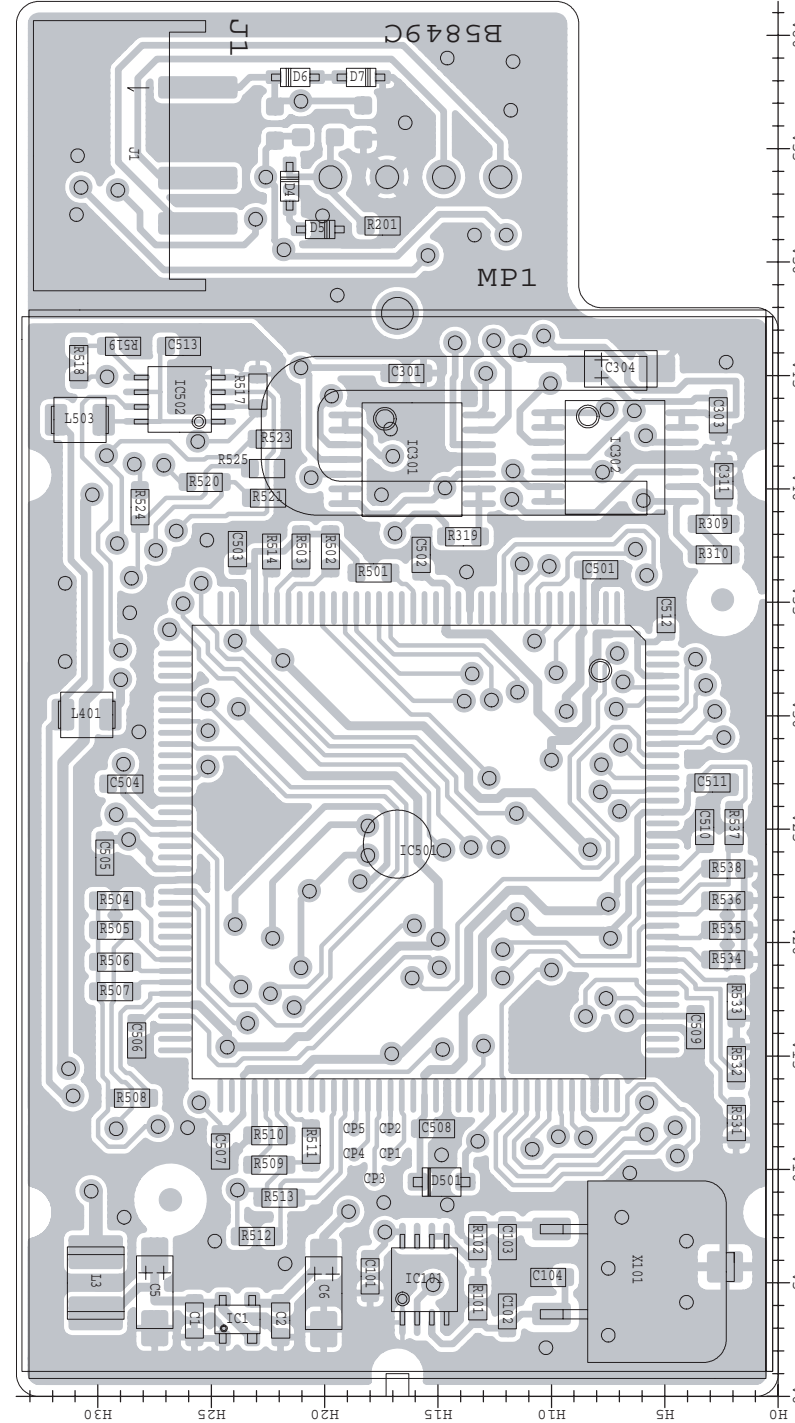
• MAIN UNIT (BOTTOM VIEW)

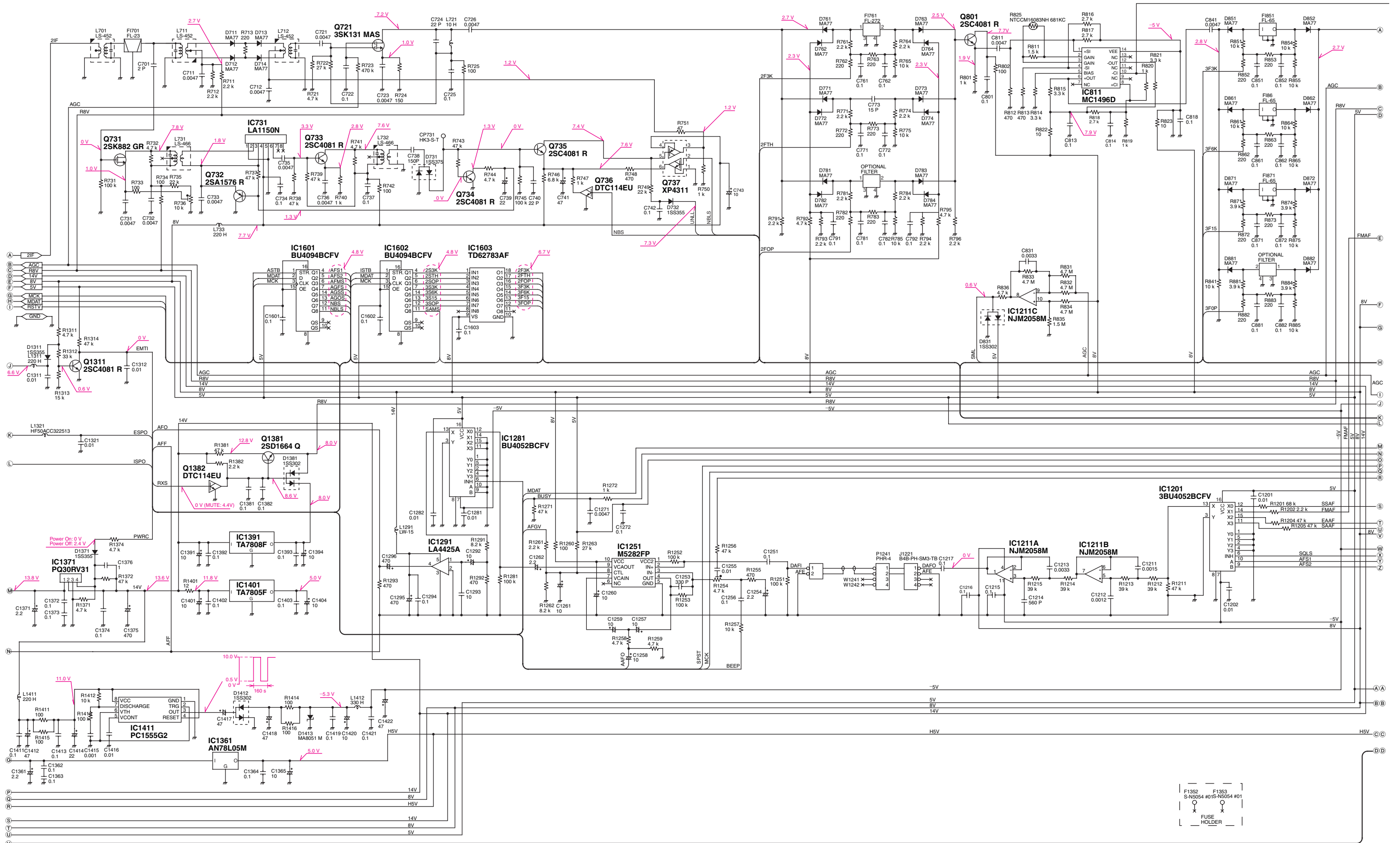


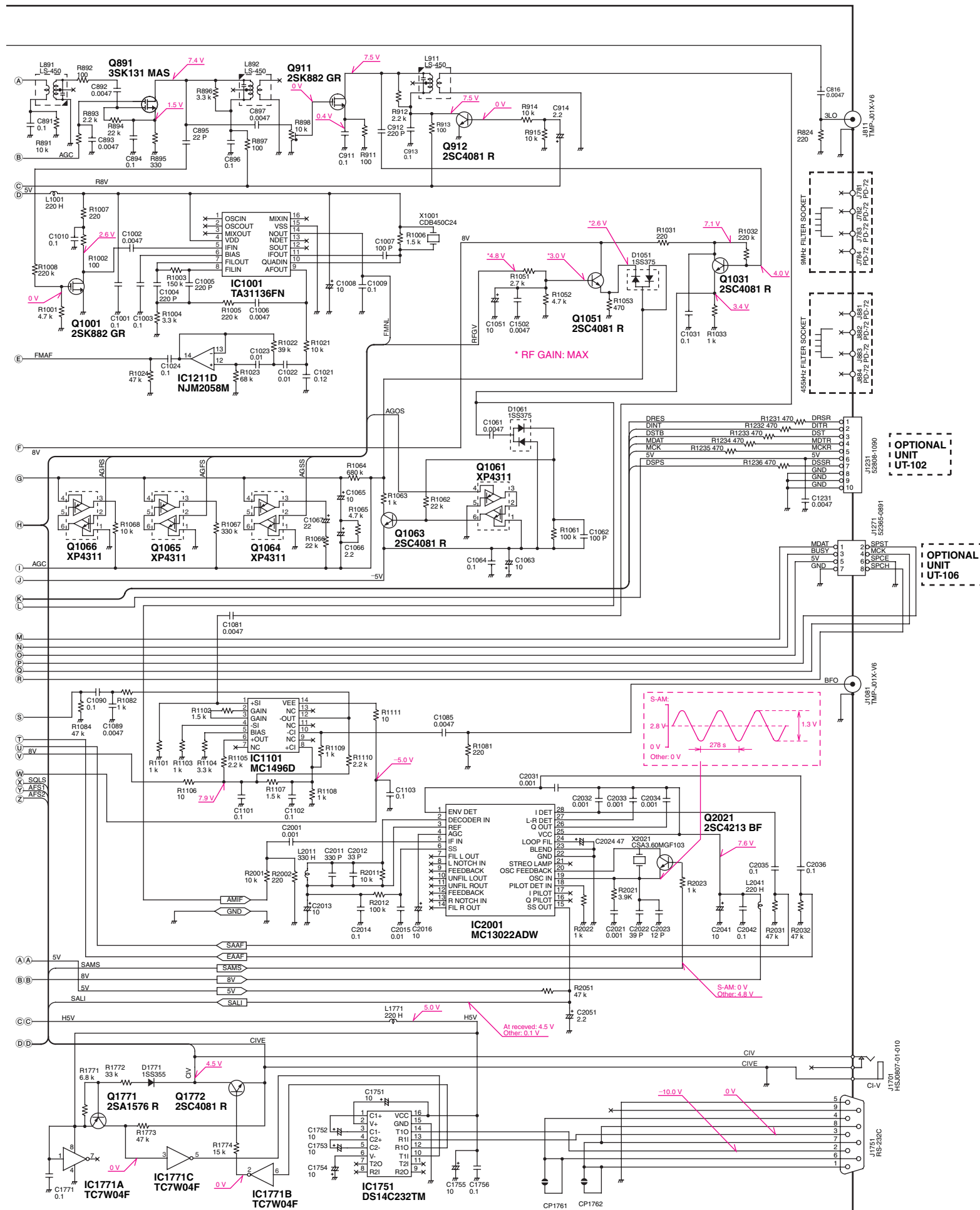
• TOP VIEW



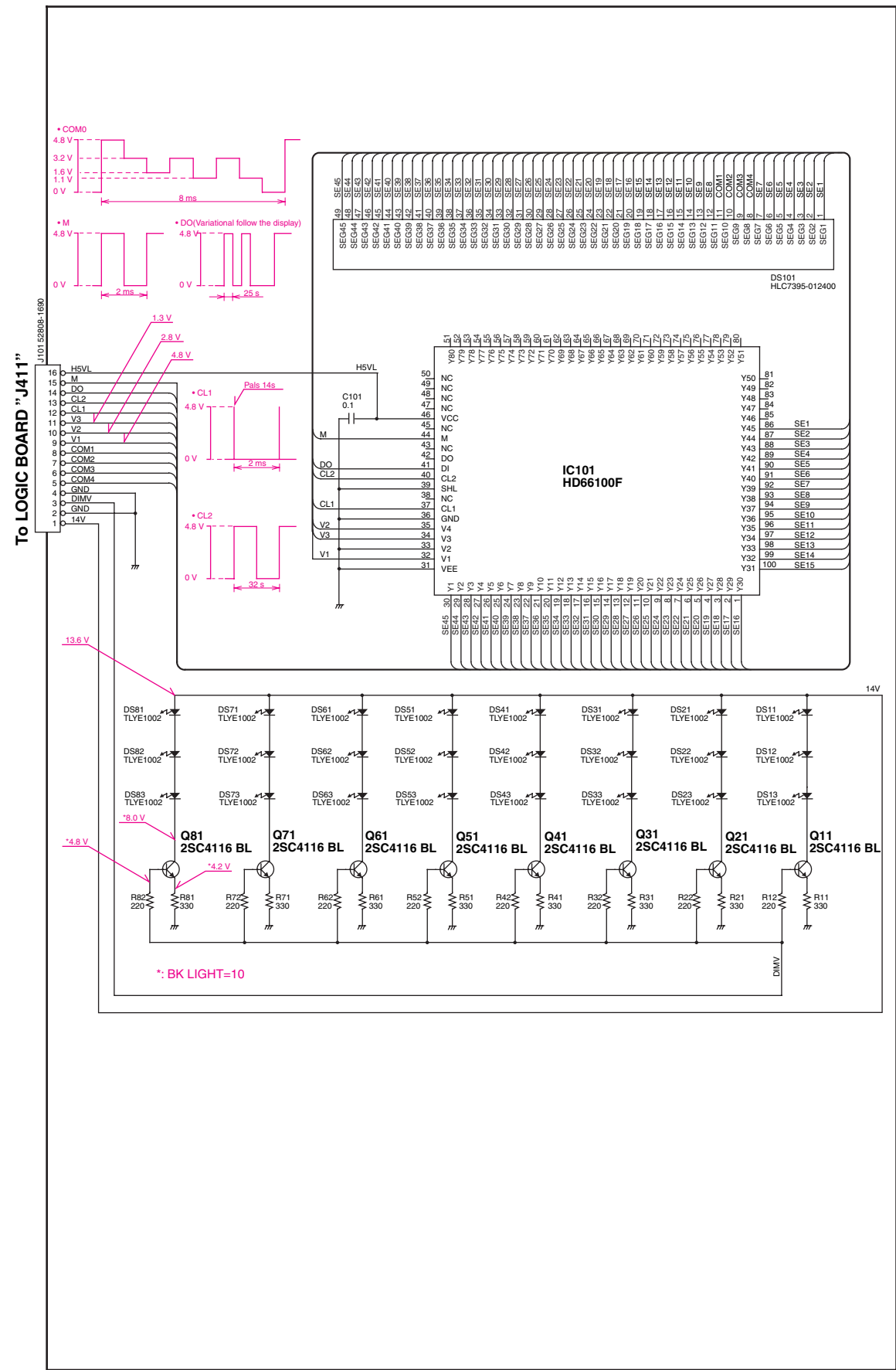
• BOTTOM VIEW



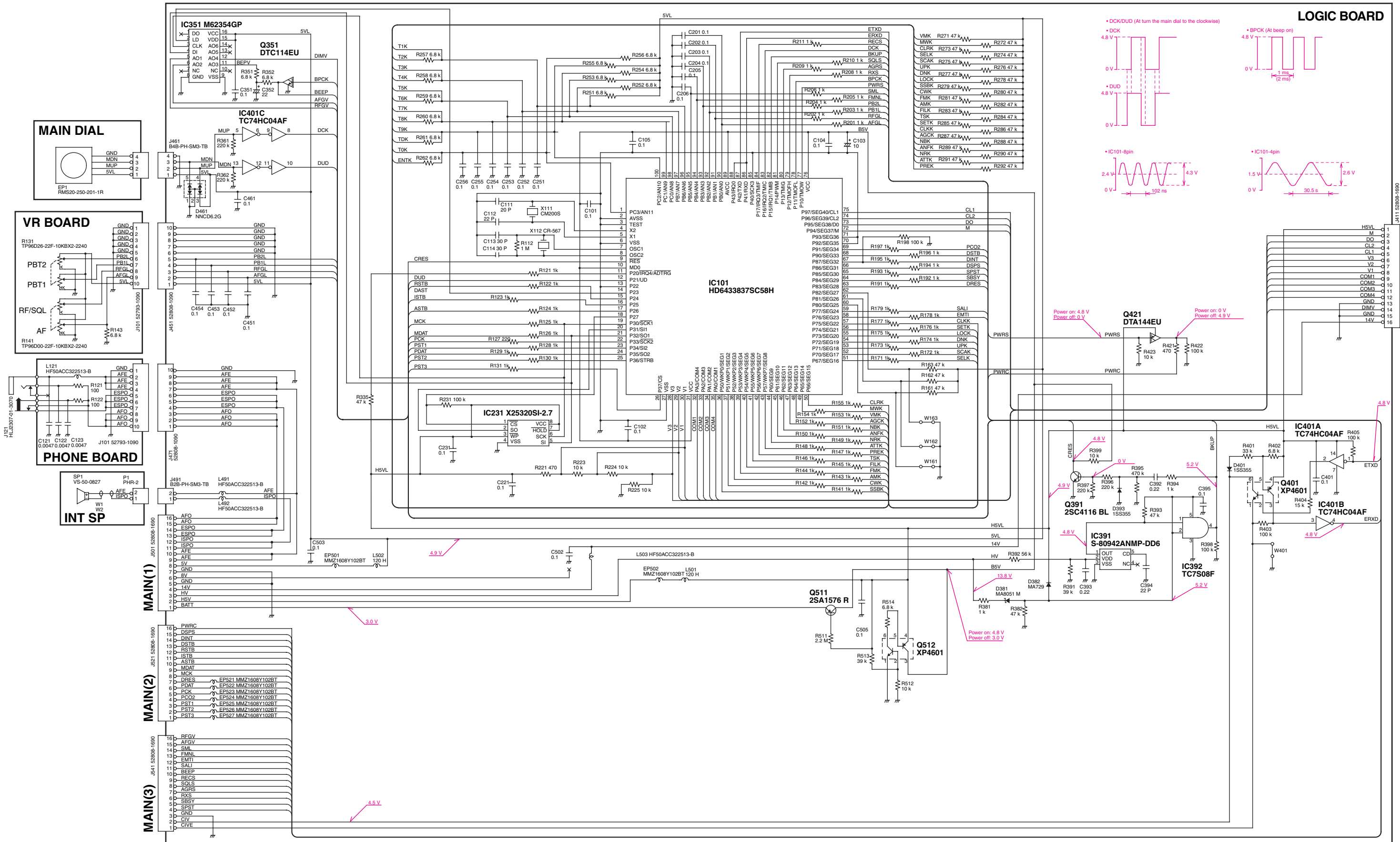




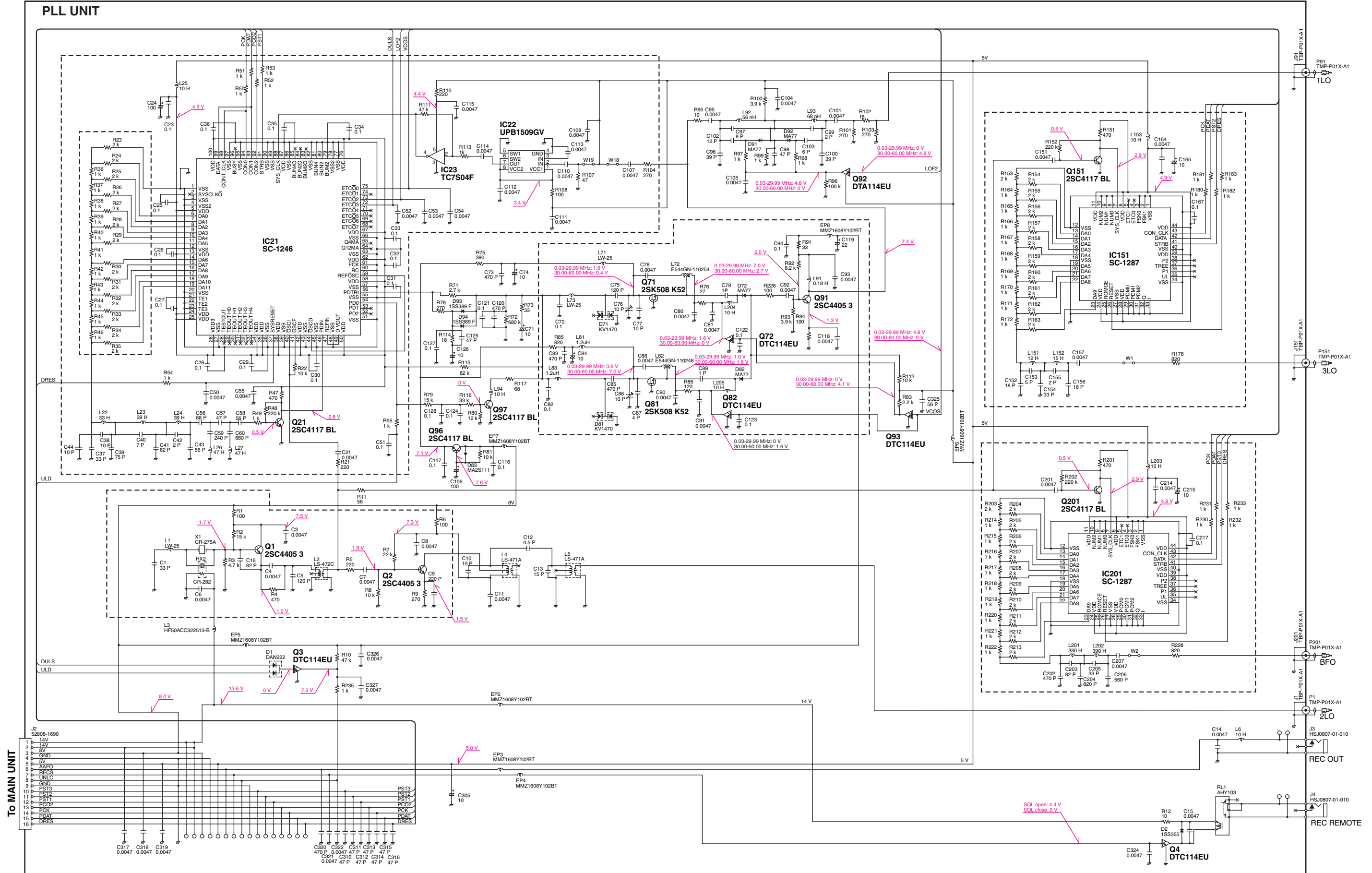
10-2 DISPLAY BOARD



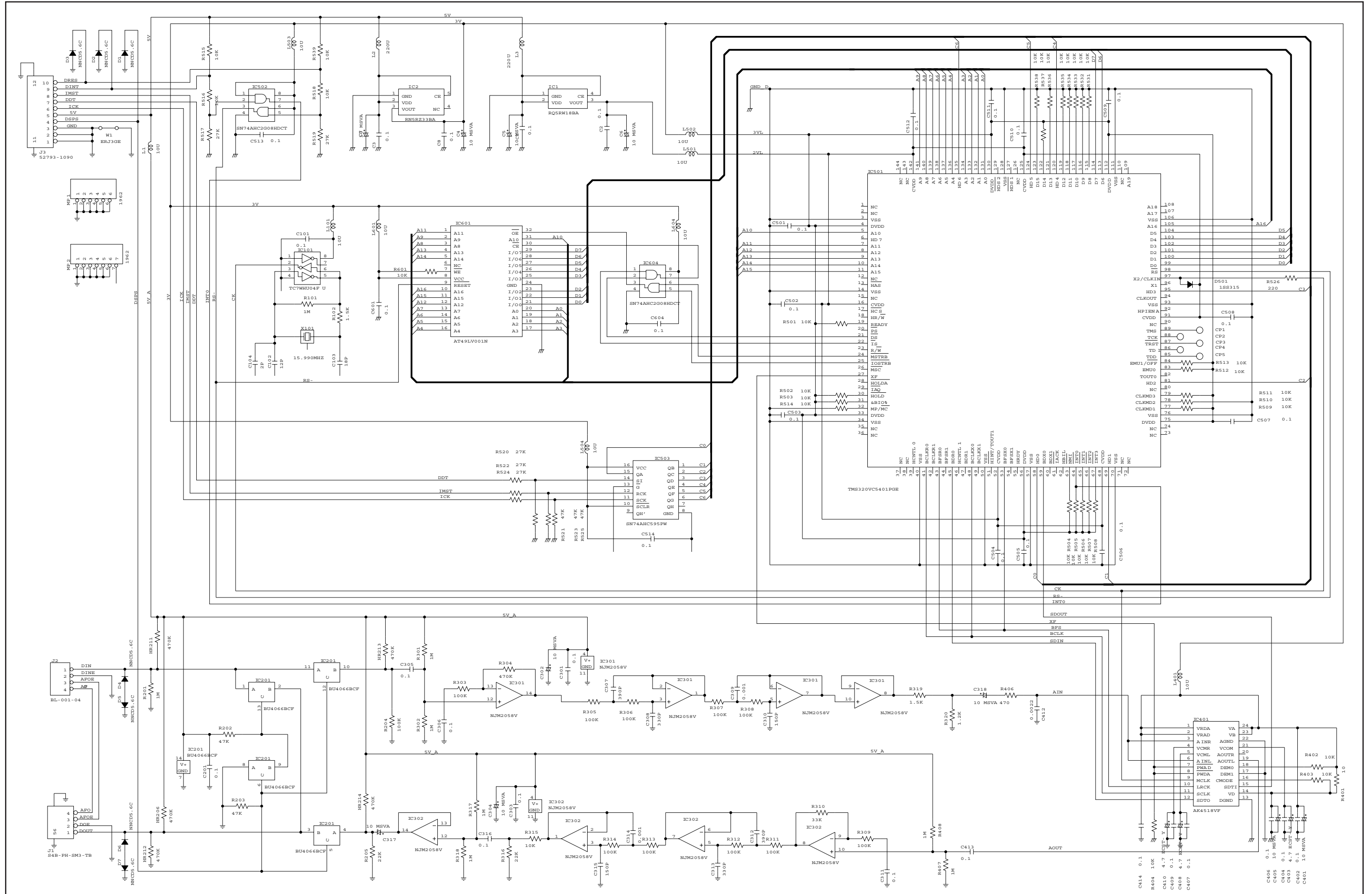
10-3 FRONT UNIT



10-4 PLL UNIT



10-5 UT-106 (Optional product; an accessory for [USA] and [USA-1])



Icom Inc.

1-1-32, Kamiminami, Hirano-ku, Osaka 547-0003, Japan
Phone : +81 (06) 6793 5302
Fax : +81 (06) 6793 0013
URL : <http://www.icom.co.jp/world/index.html>

Icom America Inc.

<Corporate Headquarters>
2380 116th Avenue N.E., Bellevue, WA 98004, U.S.A.
Phone : +1 (425) 454-8155 Fax : +1 (425) 454-1509
URL : <http://www.icomamerica.com>
E-mail : sales@icomamerica.com
<Customer Service>
Phone : +1 (425) 454-7619

Icom Canada

Glenwood Centre #150-6165
Highway 17 Delta, B.C., V4K 5B8, Canada
Phone : +1 (604) 952-4266 Fax : +1 (604) 952-0090
URL : <http://www.icomcanada.com>
E-mail : info@icomcanada.com

Icom (Australia) Pty. Ltd.

Unit 1 / 103 Garden Road, Clayton VIC 3168 Australia
Phone : +61 (03) 9549-7500 Fax : +61 (03) 9549-7505
URL : <http://www.icom.net.au>
E-mail : sales@icom.net.au

Icom New Zealand

146A Harris Road, East Tamaki,
Auckland, New Zealand
Phone : +64 (09) 274 4062 Fax : +64 (09) 274 4708
URL : <http://www.icom.co.nz>
E-mail : inquiries@icom.co.nz

Beijing Icom Ltd.

10C07, Long silver Mansion, No.88, Yong Ding
Road, Haidian District, Beijing, 100039, China
Phone : +86 (010) 5889 5391/5392/5393
Fax : +86 (010) 5889 5395
E-mail : bjicom@bjicom.com
URL : <http://www.bjicom.com>

Icom (Europe) GmbH

Communication Equipment
Auf der Krautweide 24
65812 Bad Soden am Taunus, Germany
Phone : +49 (6196) 76685-0 Fax : +49 (6196) 76685-50
URL : <http://www.icomeurope.com>
E-mail : info@icomeurope.com

Icom Spain S.L

Ctra. Rubi, No. 88 Bajos A 08174, Sant Cugat del Valles, Barcelona, Spain
Phone : +34 (93) 590 26 70 Fax : +34 (93) 589 04 46
URL : <http://www.icomspain.com>
E-mail : icom@icomspain.com

Icom (UK) Ltd.

Blacksole House, Altira Park, Herne Bay, Kent CT6 6GZ, UK
Phone : +44 (01227) 741741 Fax : +44 (01227) 741742
URL : <http://www.icomuk.co.uk>
E-mail : info@icomuk.co.uk

Icom France s.a.s.

Zac de la Plaine
1 Rue Brindejonn des Moulinais BP 5804
31505 Toulouse Cedex, France
Phone : +33 (5) 61 36 03 03 Fax : +33 (5) 61 36 03 00
URL : <http://www.icom-france.com>
E-mail : icom@icom-france.com

Asia Icom Inc.

6F No.68, Sec. 1 Cheng-Teh Road, Taipei, Taiwan, R.O.C.
Phone : +886 (02) 2559 1899 Fax : +886 (02) 2559 1874
URL : <http://www.asia-icom.com>
E-mail : sales@asia-icom.com

Icom Polska

81-850 Sopot, ul. 3 Maja 54, Poland
Phone : +48 (58) 550 7135 Fax : +48 (58) 551 0484
E-mail : icompolska@icompolska.com.pl

Count on us!

Icom Inc.

1-1-32, Kamiminami, Hirano-ku, Osaka 547-0003, Japan

S-14329XZ-C1
© 2007 Icom Inc.